



Dealer's Catalogue 2026

Site Equipment

List of contents



Site Equipment	6
1 Paver Laying and Transportation	9
2 Joint Filling and Surface Cleaning	29
3 Screeding	32
4 Professional Tools	43
5 Vacuum Laying	61
– Vacuum Handheld Devices	62
– Vacuum Attachments	77
– Vacuum Hose Lifters	90
6 Laying of Landscaping Elements	103
7 Handling of Concrete Barriers	121
8 Civil Engineering: Manhole and Pipe Laying	123
9 Highrise and Roof Elements	135
Service	138
After Sales/Warranty	139
General Sales Conditions	140
Product Request Form	142

making hard work easier

**We are the top supplier for
today's building material
handling, making hard work
easier.**



For over 65 years, our tools and machines have been making your everyday work on the construction site easier. Thanks to many important ergonomic and efficiency-enhancing innovations, we are now world market leader and set the standards in building materials handling on construction sites and in concrete plants.

More than 180 employees find the optimal solution for you every day – worldwide at our locations in Germany, Great Britain, France, Italy, Poland, Canada, USA and in Australia. With more than 1,700 sales partners worldwide, including over 700 in Germany, you have a competent partner at your side wherever you are.

Since 2020, the entire group of companies has been climate-neutral.



**INNOVATION AWARD FOR
ERGONOMICS 2025**



**CLIMATE NEUTRAL
COMPANY**
certified by Fokus Zukunft

1.700

Sales partner
worldwide

180

Employees
worldwide

7

Subsidiaries
worldwide

Alphabetical Index

Listed by Acronym

Acronym	Product Name	Page
AW	Aluminium Angle	55
AW-200	Aluminium Angle	55
AZL	Screeding Rails for Screeding Systems TAK and TAS-UNI	42
AZL-EP	Screeding Rail Kit for Handscreeding Systems	42
BC	BLOCK CARRIER	50
BP	BOBPLAN Pulling aid for the concrete subgrade	117
BSZ-H	Hydraulic Concrete Highway Divider Clamp	121
BSZ-KH	Concrete Highway Divider Clamp	121
BVZ	Universal Handle	104
BZ	Kerb Stone Handles	103
CSG-400	Concrete Sleeper Grab	105
DEZ-UNI	Roofing Element Clamp	136
EB	Sweeping Broom	29
EC-60	EASYCLEAN Paver Cleaning Device	30
EF-H	EASYFILL Paver Jointing Device	29
EL-SDH	EASYLIFT Manhole Cover Lifter	133
ENZ	Pin Extractor	51
ENZ-PROTECT	Pin Extractor	51
EP-UNI	EASYPLAN Handscreeding System	38
EXG	EASYGRIP Border Stone Handle	105
FMK	FLEXMARKER-KIT Marking Tool	56
FSZ-M	Hollow Slope Block Handles	116
FTZ	Grab for Prefabricated Concrete Products	110
FTZ-GBA	Grab for Prefabricated Concrete Products	122
FTZ-MULTI	Grab for Prefabricated Concrete Products	111
FTZ-MULTI-D	Grab for Prefabricated Concrete Products	112
FVZ-UNI	Mechanical Boulder Grab	114
FXAH-120-GRABO-GREENLINE	Vacuum Hand Laying Device	63
GH-ERGO	Rubber Hammer	47
GH-RE-TWIN	Rubber Hammer-Alignment Bar	46
GR-150	Slipform for Concrete Backfill of Precast Kerbs	118
GRABO-FLEX-130-SOLO/DUO	Hand carry handle for FLEX VLP 18 cordless vacuum lifter GRABO	65
H-FVZ-UNI	Manual Boulder Grab	114
HVZ-GENIUS-II	Hydraulic Installation Clamp	19
HVZ-LIGHT	Hydraulic Installation Clamp	18
HVZ-PAVERTRON	Electro-hydraulic installation clamp	22
HVZ-UNI-II-SPEED	Hydraulic Installation Clamp	15
JM-VARIO	JUMBOMOBIL Vacuum Slab Laying Machine	94
JUMBO-BV-VARIO	Vacuum Kerb Stone Installation Machine	90
KKT	Brick Handles	50
KKV-20/30	Cable Channel Clamp	120
KKV-200	Cable Channel Clamp	119
KKV-8/14	Cable Channel Clamp	120
KS	KNEESEAT	48
KSZ-300-UNI	Limestone Clamp	136
LF	LEVELFIX Manual Screeding System	41
LH	LEVELHANDY Hand Screeding Tool	40
LK	LEVELKING Screeding Attachment	34
M-JET-250	Vacuum Hand Laying Device	69
MAL	Measuring and Marking Tool	53
MP	MINIPLAN Sliding Finisher	40
MRE	Multiple Alignment Bar	46
PB	PAVERBOY Laying Device	49
PC-200	Panel Clamp	115
PJ-1650	POWERJET Vacuum-Lifting Device	82
PM	PAVERMARKER Marker Pen	54
PP	POWERPLAN Screeding Machine	32
PPH	Professional-Slab Handle	48
PW-III	Pallet-Cart	27

Acronym	Product Name	Page
PX	POUNDER Soil Compactor	47
PZ	Slab Extractor	45
QD	QUICKDRAW Marking Tool	54
QJ-600-E	QUICKJET Vacuum Lifting Device	79
RE	Alignment Bar	45
RF-H	GUTTERFIX Screeding System for lean concrete	117
RG	Round Grab	125
RG-SAFELOCK	Round Grab	124
RGV-9/9	Turf Stone Laying Clamp	107
RSH	Plumb Line Fixture	52
RVD-4,5-ECO	Concrete Pipe Lifter	123
RVH	Turf Stone Handles	49
SA	STRING ALONG Plumb Line Fixture	52
SAH	Paver Lifter	43
SAZ-UNI	Gully Clamp	130
SB	STRINGTIGHT Plumb Line Fixture	53
SDH-H	Hydraulic Manhole Cover Lifter	132
SF	SAFEFLEX Cutting Aid	57
SG	Scissor Grab	135
SH-1000-MINI	Vacuum Lifting Device	80
SH-2500-GREENLINE	Vacuum Lifting Device	88
SH-2500-UNI	Vacuum Lifting Device	86
SH-3500-B	Vacuum Lifting Device	85
SHS	Laying Hook for Gullies	130
SLS-8/20-G-VA	Stone Pillar Grab	115
SM-1200	STONEMAGNET Vacuum Lifting Device	77
SRG	Manhole and Cone Chain Clamp	126
SRZ-KOMBI	Manhole Frame Clamp	131
SRZ-M	Manhole Frame Clamp	131
STS	STONE SPLITTER Slab and interlocking block cutter	58
STS-43-EH-23	STONE SPLITTER Electro-hydraulic block splitter	60
STS-EASY	STONE SPLITTER Slab and interlocking block cutter	59
SVZ-ECO	Manhole and Cone Installation Clamp	129
SVZ-ECO-L	Manhole and Cone Installation Clamp	129
SVZ-UNI	Manhole and Cone Installation Clamp	128
SVZ-UNI-VARIO	Manhole and Cone Installation Clamp	127
SZ	Paving Block Extractor	43
SZH	Block Extractor Hammer	44
TAK	Telescopic Screeding Bucket	36
TAS-UNI	Telescopic Screeding System	37
TG-5/12	TWISTGRIP Kerb and Strip Stone handle	106
TM	TRANSMOBIL Installation Carrier	98
TP	TELEPLAN Handscreeding System	39
TSV	Concrete Step Handles	107
TSZ	Concrete Step Handles	108
TSZ-UNI-ET-800	Concrete Step Handles	109
UM-SM	UNIMOBIL Laying Dolly	76
UM-VS	UNIMOBIL Laying Dolly	75
VH-1/25	VACUUM-HANDY Vacuum Hand Laying Device	62
VM-X-PAVERMAX	Installation Machine VM-X	10
VPH-150-GREENLINE	VACUUM-POWER-HANDY Vacuum Hand Laying Device	66
YS-140/200	SPEEDY Vacuum Hand Laying Device	71
VTK-V	Adjustable Paver Transport Cart	26
VZ	Laying Clamp	104
VZ-H-UNI	Hydraulic Installation Clamp	25
VZ-HS-50/150	Hydraulic Kerb Stone Laying Clamp	26
VZ-M-UNI	Kerb Stone Clamp	103
WEZ	Grab for Angular Concrete Products	113
XS-JET-80-GRABO	Vacuum Hand Laying Device	67

Alphabetical Index

Listed by Product Name

Product Name	Acronym	Page
Adjustable Paver Transport Cart	VTK-V	26
Alignment Bar	RE	45
Aluminium Angle	AW-200	55
BLOCK CARRIER	BC	50
Block Extractor Hammer	SZH	44
BOBPLAN Pulling aid for the concrete subgrade	BP	117
Brick Handles	KKT	50
Cable Channel Clamp	KKV-8/14	120
Cable Channel Clamp	KKV-20/30	120
Cable Channel Clamp	KKV-200	119
Concrete Highway Divider Clamp	BSZ-KH	121
Concrete Pipe Lifter	RVD-4,5-ECO	123
Concrete Sleeper Grab	CSG-400	105
Concrete Step Handles	TSV	107
EASYCLEAN Paver Cleaning Device	EC-60	30
EASYFILL Paver Jointing Device	EF-H	29
EASYGRIP Border Stone Handle	EXG	105
EASYLIFT Manhole Cover Lifter	EL-SDH	133
EASYPLAN Handscreeding System	EP-UNI	38
Electro-hydraulic installation clamp	HVZ-PAVERTRON	22
FLEXMARKER-KIT Marking Tool	FMK	56
Grab for Angular Concrete Products	WEZ	113
Grab for Prefabricated Concrete Products	FTZ	110
Grab for Prefabricated Concrete Products	FTZ-GBA	122
Grab for Prefabricated Concrete Products	FTZ-MULTI	111
Grab for Prefabricated Concrete Products	FTZ-MULTI-D	112
Gully Clamp	SAZ-UNI	130
GUTTERFIX Screeding System for lean concrete	RF-H	117
Hand carry handle for FLEX VLP 18 cordless vacuum lifter GRABO	GRABO-FLEX-130-SOLO/DUO	65
Hollow Slope Block Handles	FSZ-M	116
Hydraulic Concrete Highway Divider Clamp	BSZ-H	121
Hydraulic Installation Clamp	HVZ-LIGHT	18
Hydraulic Installation Clamp	HVZ-UNI-II-SPEED	15
Hydraulic Installation Clamp	HVZ-GENIUS-II	19
Hydraulic Kerb Stone Laying Clamp	VZ-HS-50/150	26
Hydraulic Manhole Cover Lifter	SDH-H	132
Installation Machine VM-X PAVERMAX	VM-X-PAVERMAX	10
JUMBOMOBIL Vacuum Slab Laying Machine	JM-VARIO	94
Kerb Stone Clamp	VZ-M-UNI	103
Kerb Stone Handles	BZ	103
KNEESEAT	KS	48
Laying Clamp	VZ	104
Laying Hook for Gullies	SHS	130
LEVELFIX Manual Screeding System	LF	41
LEVELHANDY Hand Screeding Tool	LH	40
LEVELKING Screeding Attachment	LK	34
Limestone Clamp	KSZ-300-UNI	136
Manhole and Cone Chain Clamp	SRG	126
Manhole and Cone Installation Clamp	SVZ-ECO	129
Manhole and Cone Installation Clamp	SVZ-ECO-L	129
Manhole and Cone Installation Clamp	SVZ-UNI	128
Manhole and Cone Installation Clamp	SVZ-UNI-VARIO	127
Manhole Frame Clamp	SRZ-KOMBI	131
Manhole Frame Clamp	SRZ-M	131
Manual Boulder Grab	H-FVZ-UNI	114
Measuring and Marking Tool	MAL	53
Mechanical Boulder Grab	FVZ-UNI	114
MINIPLAN Sliding Finisher	MP	40
Multiple Alignment Bar	MRE	46

Product Name	Acronym	Page
Pallet-Cart	PW-III	27
Panel Clamp	PC-200	115
Paver Lifter	SAH	43
PAVERBOY Laying Device	PB	49
PAVERMARKER Marker Pen	PM	54
Paving Block Extractor	SZ	43
Pin Extractor	ENZ	51
Plumb Line Fixture	RSH	52
POUNDER Soil Compactor	PX	47
POWERJET Vacuum-Lifting Device	PJ-1650	82
POWERPLAN Screeding Machine	PP	32
Professional-Slab Handle	PPH	48
QUICKDRAW Marking Tool	QD	54
QUICKJET Vacuum Lifting Device	QJ-600-E	79
Roofing Element Clamp	DEZ-UNI	136
Round Grab	RG	125
Round Grab	RG-SAFELOCK	124
Rubber Hammer	GH-ERGO	47
Rubber Hammer-Alignment Bar	GH-RE-TWIN	46
SAFEFLEX Cutting Aid	SF	57
Scissor Grab	SG	135
Screeding Rail Kit for Handscreeding Systems	AZL-EP	42
Screeding Rails for Screeding Systems TAK and TAS-UNI	AZL	42
Slab Extractor	PZ	45
Slipform for Concrete Backfill of Precast Kerbs	GR-150	118
SPEEDY Vacuum Hand Laying Device	VS-140/200	71
Stone Pillar Grab	SLS-8/20-G-VA	115
STONE SPLITTER Electro-hydraulic block splitter	STS-43-EH-23	60
STONE SPLITTER Slab and interlocking block cutter	STS	58
STONEMAGNET Vacuum Lifting Device	SM-1200	77
STRING ALONG Plumb Line Fixture	SA	52
STRINGTIGHT Plumb Line Fixture	SB	53
Sweeping Broom	EB	29
TELEPLAN Handscreeding System	TP	39
Telescopic Screeding Bucket	TAK	36
Telescopic Screeding System	TAS-UNI	37
TRANSMOBIL Installation Carrier	TM	98
Turf Stone Handles	RVH	49
Turf Stone Laying Clamp	RGV-9/9	107
TWISTGRIP Kerb and Strip Stone handle	TG-5/12	106
UNIMOBIL Laying Dolly	UM-SM	76
UNIMOBIL Laying Dolly	UM-VS	75
Universal Handle	BVZ	104
Vacuum Hand Laying Device	FXAH-120-GRABO-GREENLINE	63
Vacuum Kerb Stone Installation Machine	JUMBO-BV-VARIO	90
Vacuum Lifting Device	SH-1000-MINI	80
Vacuum Lifting Device	SH-2500-GREENLINE	88
Vacuum Lifting Device	SH-2500-UNI	86
Vacuum Lifting Device	SH-3500-B	85
VACUUM-HANDY Vacuum Hand Laying Device	VH-1/25	62
VACUUM-POWER-HANDY Vacuum Hand Laying Device	VPH-150-GREENLINE	66

Many accessories – such as suction plates, lifting units and similar components – are no longer listed separately here in the index, but can now be found directly in the accessories tables for the respective products.



The tools and machines from Probst make hard work on sites easier. Thereby it doesn't matter if it's road construction, civil engineering, high-rise and roofing construction, landscape gardening or paver laying.

making hard work easier

In over 65-years of Probst history, we make the hard working day much easier and more economic for everybody who works with pavers, pipes and concrete products. Probst offers complete service – starting with technical support and drivers training, up to logistics guidance at the site.

Experienced sales representatives advice and surprise with easy solutions for time and money saving operation.

Our policy is the durability of the range of products. With the regular maintenance the Probst products will last many times over decades, even on hard and daily operation. Of course you will get experienced service and spare parts for the complete product life.

The main reason for numerous sick days, loss of jobs and early retirement at the construction industry is back pain. Especially when laying kerb stones and slabs, it is a high risk for the workers, if not



Site Equipment

We make your work on sites easier – in road construction & civil engineering, paver laying and landscape gardening

using the right equipment. You can prevent back strain with the right technical equipment and the correct handling of heavy weights.

The investment in ergonomic tools is paid back very quickly. The ergonomic machines and tools from Probst take care of the back and increase the working speed.

The material composition, the production process and the forms of the building materials are going to be changed regularly. That's why the tools and machines need permanent upgrades. Besides this the customer has higher requirements for security, is more aware of the quality and does not want any damages.

During development Probst already think of the future trends, experience reports and upcoming regulations. The result of this observation are robust machines and tools with extreme durability and efficiency.

As universal as possible – as special as needed.

Simply Probst: from practice for practice, because Probst makes hard work easier.

Delivery status

In the product area site equipment you will find a colour field behind each item number. This colour field gives you information about the delivery status of the respective item.

- In stock
- Delivery time approx. 1 – 2 weeks
- Delivery time upon request

The delivery status is used for orientation. Information not guaranteed.

Colour scheme

Please note: We are currently changing our previously yellow-painted products to the new blue/grey colour scheme. This change is being implemented gradually, so if you order several products, they may be delivered in different colours.

Warranty



For all new catalogue items purchased from 1 January 2024 onwards and the associated accessories from the construction site equipment catalogue, the warranty for products without direct/indirect drive (hydraulic, electric, combustion engine, pneumatic) and without gas struts is 5 years, excluding wearable parts.

For all other new catalogue items purchased from 1 January 2026 onwards and the associated accessories from the construction site equipment catalogue, the warranty is 12 months. This can be extended to 24 months (18 months for FXAH-120-GRABO, XS-JET-80-GRABO, QJ-600-E, M-JET-250 and SPEEDY VS) by registering at www.probst-service.com, excluding wearing parts.



For all other newly purchased catalogue items and the associated accessories from the Internal Handling and Truck Attachments section, the warranty is 12 months, excluding wearable parts, and cannot be extended.

In general, all customer-specific items, all non-catalogue items, spare parts, private labels and the baseline range and associated accessories are covered by a 12-month warranty, with the exception of wearable parts, which cannot be extended.

The warranty period for used items is 6 months, with the exception of wearable parts.

*1 Details in the general sales conditions at the end of the catalogue or at www.probst-handling.com/en/gtc.

Lay pavers efficiently – with paver installation machines



VM-X-PAVERMAX premium with HVZ-UNI-II

Probst paver installation machines offer simple handling, user-friendly operation and first-class performance. Increase your efficiency and go for first-class quality.

Offering a compact design and double articulated steering, the VM paver installation machines provide excellent maneuverability in confined spaces and job sites. Operators appreciate the high visibility to both the laying edge and what is behind them.

A low center of gravity guarantees an optimal static stability at any operating position.

The chassis of the laying machine has got a double center steering. Even driving narrow curves on freshly laid paver surface, no shifting is done to the pavers. The wheels do not twist the pavers, but roll on them.

Universally usable

The Probst laying machines are universal machines for many different attachments to meet your requirements: Kerb laying clamps, sweeping systems, Vacuum Laying systems for different concrete and natural stone slabs as well as a lot of special tools that you will find in this catalogue.



VM-X-PAVERMAX premium with HVZ-UNI-II (picture with accessories LED light package and exterior mirrors)

VM-X-PAVERMAX Installation Machine



Best views on your paving work: 360° panoramic view meets maximum laying comfort.

May we introduce: VM-X-PAVERMAX, the new reference class in paver laying machines. It combines a completely new sense of space with pioneering technologies – and makes work more comfortable and efficient than ever before.

All we can say is: 360° panoramic view. Sensational stability with a load capacity of up to 700 kg. Two practical automatic programmes. And, on request, a wide range of comfort features for even more efficient laying of all commercially available interlocking stone laying units.

Articulated boom with two joints:
enormous pick-up height for picking up
two bundles stacked on top of each other



The VM-X-PAVERMAX: This is how you lay today.

Type	Description	Type of Drive Diesel Engine kW	Driving Speed km/h (mph)	Dead Weight kg (lbs)	Max. Weight Paver Layer kg (lbs)*	Height Lifting Height mm (in)	Dimen- sions LxWxH mm (in)	Working Load Limit/WLL kg (lbs)	Turning Radius Total mm (in)	Order-Number	Euro
VM-X-PAVERMAX premium	Basic device installation machine without laying clamp HVZ, incl. hydraulic rotator	18,5 4-Cylinder	16 (10)	1,600 (3,530)	470 (1,040)	2,500 (98.42)	3730 x 1300 x 2000 (146.85 x 51.18 x 78.74)	700 (1,540)	2,500 (98.42)	51500025	On Request
VM-X-PAVERMAX standard	Basic device installation machine without laying clamp HVZ, incl. hydraulic rotator	18,5 4-Cylinder	16 (10)	1,500 (3,310)	420 (925)	2,250 (88.58)	3800 x 1300 x 2000 (149.60 x 51.18 x 78.74)	650 (1,430)	2,500 (98.42)	51500027	On Request

*At adequate driving speed and lowered load with HVZ-UNI-II



Decoupled driver's cabin with air-suspended comfort seat, seat heating and longitudinal damping



Joystick with ergonomically arranged controls



Colour LCD LED touch screen with display of real-time data and for selecting automatic programmes, driving profiles, ...

The perfect configuration for every challenge.

Whether standard, or premium: With **two equipment configurations**, the VM-X-PAVERMAX is perfectly prepared for all challenges. You can choose between innovative additional features – from efficient automatic programs to the air-suspended comfort seat.

All models have unprecedented smoothness in common, as well as our double articulated steering system for maximum maneuverability in the tightest of spaces.

Clear view all around.

The VM-X-PAVERMAX offers a **unique feeling of space** – with a full overview of the laying edge and all outer edges of the machine. Both the front and the side doors are fully glazed, while a curved 180° panoramic rear window provides an optimum view to the rear.

Make yourself comfortable.

The VM-X-PAVERMAX is equipped with numerous comfort features so that even large laying projects can be completed without fatigue and with maximum concentration. From the spacious, **decoupled cabin** to the large-volume wide tires and the pendulum brake in the direction of travel:

The VM-X-PAVERMAX combines **maximum smoothness** with a particularly pleasant driving experience.

All controls are **ergonomically arranged**, and both the steering wheel and the seat can be conveniently adjusted individually. Speaking of seats: the comfort seat in the premium version is equipped with seat heating, air suspension, a compressor and longitudinal damping – a climate-controlled seat with active ventilation is also available as an option.

Have a great ride!

Software and hydraulics have been recalibrated: the **optimised drive control** ensures smooth acceleration and starting, while the **adjusted pump characteristics noticeably improve driving performance.**

As a result, the VM-X-PAVERMAX now **drives more precisely and comfortably** than ever before – with sensitive pedal control, double articulated steering and maximum manoeuvrability in confined spaces – an important requirement for today's construction machines on narrow, inner-city construction sites. In addition, the outer edges of the VM-X-PAVERMAX are adapted to the steering geometry – when driving around obstacles, no protruding vehicle parts get in the way.

In the premium version, the driver can also choose between three driving profiles: two paving modes with different response characteristics of the foot pedal and the new, narrower joystick, and a travel mode for pure driving operation.

All relevant data is displayed in real time on the 5" touchscreen in the premium version or on the 2.4" screen in the standard version, from battery charge control to coolant temperature.

Naturally, this is available in several languages: German, English, French, Polish and Spanish.

More efficient laying.

With the VM-X-PAVERMAX, laying all commercially available interlocking paver laying units becomes easier than ever before. In the premium version, **convenient automatic programs** ensure that the machine takes over recurring tasks independently. In addition, the **articulated boom with two joints** increases the reach of the machine – and at the same time minimizes the necessary travel movements during positioning. Not to be forgotten: The **enormous grab height** for picking up from two packages stacked on top of each other (up to a height of 1,800 mm). And the **large swiveling range** of around 1,600 mm from a standing position – purely by steering, without moving the pavement.

- 360° panoramic view for optimum overview.
- Optimized stability with up to 700 kg load capacity.
- New engine mounts, optimized driving software, and adjusted pump characteristics for maximum smoothness and driving comfort.
- New selection of operating concepts – e.g., the proven PROBST system with updated joystick and foot pedal valve (as with VM301/401).
- Numerous comfort features available on request – from practical automatic programs to heated seat with air suspension.
- Easy maintenance thanks to free access to all relevant parts.
- 4-cylinder Kubota diesel engine, 18.5 kW/25 hp – resulting in high power reserves. Complies with EU Stage V and TIER IV final (USA) emissions regulations, no restrictions in low emission zones as engine power < 19 kW.
- The HVZ-UNI-II-SPEED and HVZ-PAVERTRON laying clamps can be attached to the VM-X-PAVERMAX premium and standard.

011225 Technical adjustments and changes to the colour scheme are reserved. Illustrations are exemplary and non-binding. No liability accepted for any misprints, mistakes and errors. Prices are ex works. * Details in the General Sales Conditions at the end of the catalog or at www.probst-handling.com/en/gtc

1 VM-X-PAVERMAX premium



Fully equipped with all the comfort and automatic features, such as adjustable comfort seat with air padding, seat heating, decoupled comfort cabin, 5" touch screen and articulated boom.

VM-X-PAVERMAX standard



Equipped with partially enclosed operator's cabin, adjustable standard seat with mechanical suspension, 2.4" screen and standard boom.

Accessories:

Type	Description	Working Load Limit/WLL kg (lbs)	Dead Weight kg (lbs)	Gripping Range mm (in)	Hydraulic Connection Pressure bar (psi)	Hydr. Volumetric Flow l/min (gpm)	Opening Width Main Gripper mm (in)	Opening Width Side Gripper mm (in)	Length of Gripper mm (in)	Order-Number	Euro
HVZ-UNI-II-SPEED for VM-X/301/203/204	Hydraulic Installation Clamp	400 (882)	225 (496)	600 – 1,200 (23.62 – 47.24)	200 – 320 (2,901 – 4,641)	15 – 75 (3.96 – 19.82)	580 – 1,260 (22.83 – 49.61)	960 – 1,440 (37.80 – 56.69)	1,200 (47.24)	51400045	14.100,-
HVZ-PAVER-TRON	Electro-hydraulic installation clamp	400 (882)	238 (525)	600 – 1,000 (23.62 – 39.37)	170 – 320 (2,466 – 4,641)	16 – 75 (4.23 – 19.82)	580 – 1,100 (22.83 – 43.31)	960 – 1,440 (37.80 – 56.69)	1,150 (45.28)	51400043	17.400,-
HVZ-PAVER-TRON-NL	Electro-hydraulic installation clamp with additional set of herringbone adapters with RE blades and barrel rollers	400 (882)	265 (584)	600 – 1,000 (23.62 – 39.37)	170 – 320 (2,466 – 4,641)	16 – 75 (4.23 – 19.82)	580 – 1,100 (22.83 – 43.31)	960 – 1,440 (37.80 – 56.69)	1,150 (45.28)	51400044	19.200,-

Equipment variations/Accessories:

Features	Description	premium	standard
Display		Opus B3. Bright 5" colour LCD LED backlight display with touch function and 5 selectable languages (DE, EN, FR, ES, PL)	Smart-View 2.4" colour LCD LED backlight display
Driver's seat		Adjustable comfort seat with air suspension, compressor, seat heating, longitudinal suspension	Adjustable standard seat with mechanical suspension
Hydraulic proportional block		DPX valve block with flow sharing function	SDS standard valve block
Steering column		adjustable	adjustable
Accelerator pedal		angle adjustable without tools	angle adjustable without tools
Standard cabin		fully enclosed	partially clad
Semi-automatic	Operation of the clamp functions via two push-buttons. ADV is automatically pre-charged when the main voltage is opened	✓	✓

Equipment variations/Accessories:

Features	Description	premium	standard	Order-Number	Euro
Armrest		✓	✓		
Joystick		✓	✓		
12V socket		✓	✓		
Automatic parking brake		✓	✓		
Internal rear view mirror		✓	✓		
Pendulum damping	Reduction of strong vibrations of the attachments	✓	✓		
Mesh pocket		✓	✓		
Toolbox		✓	✓		
Driving modes fast/slow		✓	✓		
Cabin		✓	✗		
Heating		✓	✗		
Opening window		✓	✗		
Windscreen wiper		✓	✗		
Wiping water function		optional	✗	41501064	413,-
Coat hook		✓	✗		
Automatic	Standard and shift automatic	✓	✗		
Cycle counter		✓	✗		
Articulated boom		✓	✗		
Storage compartment		✓	✗		
Preparation for vacuum use	For mounting hydraulically driven vacuum devices	✓	optional	41501070	966,-
Sound package	DAB+ Radio, Speaker, Bluetooth handsfree system, USB	optional	✗	41501067	545,-
Special paint		optional	optional	41501096	727,-
2 nd foot pedal (left)	Control change: Raising and lowering the boom via the foot pedal instead of the joystick	optional	optional	41501103	2.150,-
LED light package	2x LED headlights front, 1x LED headlights rear	optional	optional	41501065	617,-
LED professional light package	Prerequisite is the LED light package – 2x LED headlights on the front axle	optional	optional	41501093	390,-
LED rotating beacon	3 light modes – single flash, dual flash, all-round	optional	optional	41501066	595,-
Mobile phone holder		optional	optional	26990089	45,50
Reversing warning system		optional	optional	41501091	123,-
Diesel particular filter DPF		optional	optional	41501074	4.890,-
Loading lugs	For loading with a crane	optional	optional	41501092	742,-
Exterior mirrors		optional	optional	41501056	428,-
Classic Control operation	Includes joystick, software and foot pedal. Clamp control via joystick deflection. (Retrofitting possible only at Probst)	optional	optional	41501206	3.340,-
Reversing camera set	With 7" display, wired 9-32V DC, 120° field of view, camera IP68. (Retrofitting possible only at Probst)	optional	✗	41501094	995,-
Driver's seat	With 3-stage seat ventilation and seat heating, partial leather upholstery. (Retrofitting possible only at Probst)	optional	✗	41501208	890,-

011225 Technical adjustments and changes to the colour scheme are reserved. Illustrations are exemplary and non-binding. No liability accepted for any misprints, mistakes and errors. Prices are ex works. * Details in the General Sales Conditions at the end of the catalog or at www.probst-handling.com/en/gtc

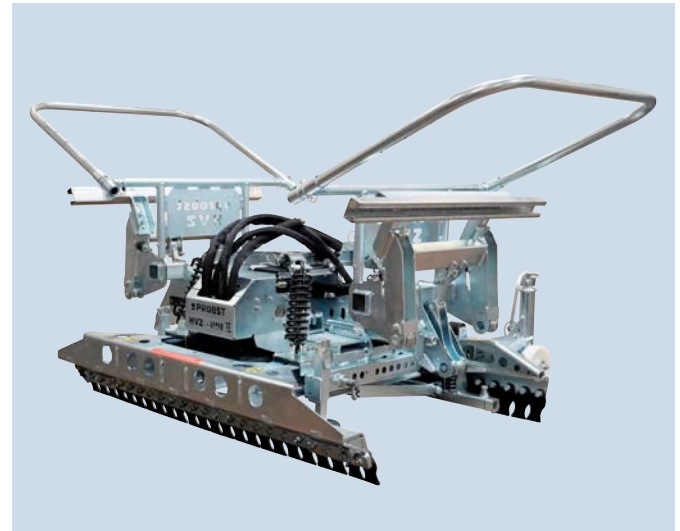
Hydraulic Installation Clamps



These hydraulic installation clamps are universally suitable for laying all paving stone installation units available on the market when combined with the various carriers such as installation machines VM, hydraulic excavators and wheel loaders.

Type HVZ-UNI-II-SPEED Standard Specifications:

- Universally adjustable main gripping width beared on a maintenance-free steel-plastic guideway.
- Adjustable side gripper for the exact shaping of the installation pattern (shaping device).
- Height adjustable stops for adjusting the gripping depth for different thickness of blocks.
- Hydraulic pressure regulating valve to protect the parts from too much strain.
- Oil pressure gauge.
- Independent steel grippers – ensuring a firm grip on single blocks when carrying large sets of blocks. The steel gripper length of 50 mm is variable up to about 1,350 mm.
- Handles for optimum handling of the pliers. Handles quickly removable for adaptation to confined spaces.

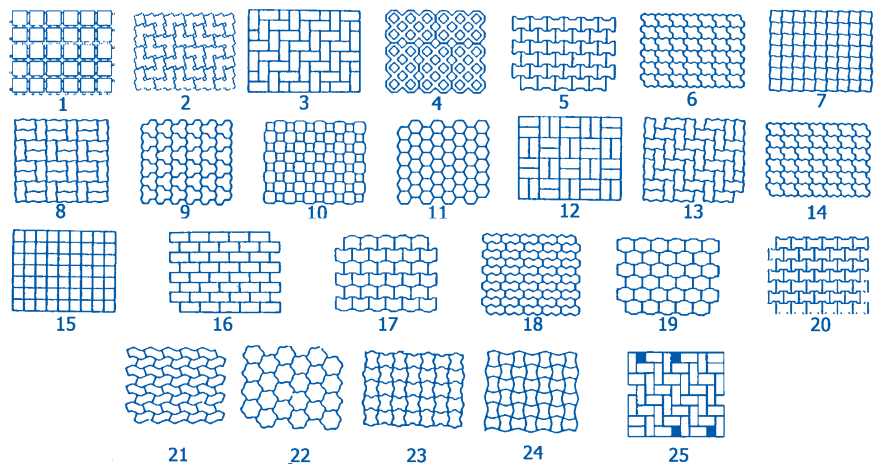


HVZ-UNI-II-SPEED

Mechanical installation allows for a multitude of design possibilities

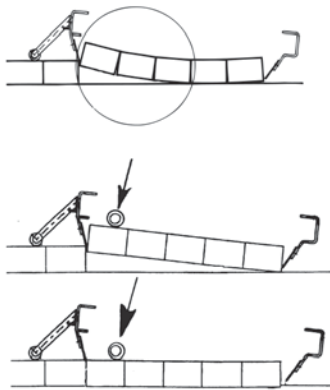
It depends on the right installation clamp. This paver formation is suitable for all mechanical installation with all clamps by Probst. We have also the right solution for specialised types of stones and installations samples – talk to us.

The stone formations 16 – 20 are suitable for mechanical installation by the special adapter. The stone formations 21 – 25 are suitable for mechanical installation by special adapter. For other stone formations (not shown), please send in a mould layout.





HVZ-UNI-II-SPEED for VM-X/301/203/204



top: without ADV, bottom: with ADV

HVZ-UNI-II-SPEED Hydraulic Installation Clamp

NEW

The HVZ-UNI-II is more universal in use, more robust in design and more easy to adjust this device incorporates the experience of 2 decades in mechanical installation. It can be used in conjunction with the laying machine VM-X/301/203/204 as well as other carriers which provide two hydraulic circuits to operate the clamp. The main and side clamps are controlled directly from the carrier.

- Setting of the main and side clamping width made easy without tools by using scale pointers.
- The side clamping arms swing up completely in order to allow laying close to a wall sideways without any gap.
- The powerful side clamp achieves easy shifting of pavers into the running bond.
- Gripping depths and height of the support wheels can be adjusted without tools easy and quickly.
- Pushing-off technology ADV guarantees installation complying with the regulations: During the laying process the individual pavers creep apart by approx. 0.5 – 1 mm (in addition to the spacer bars). This joint distance must not be eliminated by hammering!
- Because the pavers can not rock during the laying process, time consuming readjustment is avoided.
- Pushing off device ADV as a standard feature integrated.
- 2 C-Profiles 760 mm long and 10 Positioning Adapters to shift pavers by 100 mm.
- Low deadweight.
- Main gripping width can be set much more easily via a spindle with integrated spring assembly instead of the previous chain centring method.
- Significantly increased displacement force for problem-free movement into the running bond (3 x greater than with the HVZ-UNI).
- New suspension – enabling the clamp to hang with less movement.
- The clamp can also be attached to all standard paving machines, such as the VM-X-PAVERMAX.
- Durable surface protection by galvanizing.
- Features optimised side clamping, which works faster and thus enables higher laying performance.
- New folding handles.

Type	Working Load Limit/WLL kg (lbs)	Dead Weight kg (lbs)	Gripping Range mm (in)	Hydraulic Connection Pressure bar (psi)	Hydr. Volumetric Flow l/min (gpm)	Hydr. Backflow Pressure, max. bar (psi)	Opening Width Main Gripper mm (in)	Opening Width Side Gripper mm (in)	Order-Number	Euro
HVZ-UNI-II-SPEED for VM-X/301/203/204	400 (882)	225 (496)	600 – 1,200 (23.62 – 47.24)	200 – 320 (2,901 – 4,641)	15 – 75 (3.96 – 19.82)	20 (290.08)	580 – 1,260 (22.83 – 49.61)	960 – 1,440 (37.80 – 56.69)	51400045	14.100,-

01725 Technical adjustments and changes to the colour scheme are reserved. Illustrations are exemplary and non-binding. No liability accepted for any misprints, mistakes and errors. Prices are ex works. * Details in the General Sales Conditions at the end of the catalog or at www.probst-handling.com/en/gtc



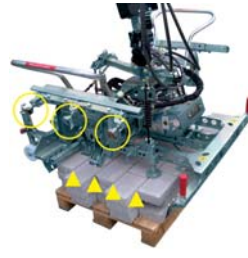
Accessories:



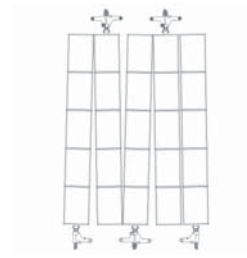
HVZ-UNI-II-PK-II



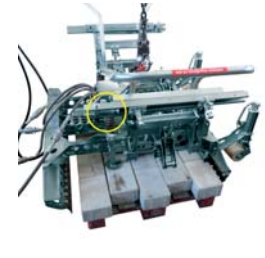
HVZ-FA adapter with positioning feet for rectangular blocks



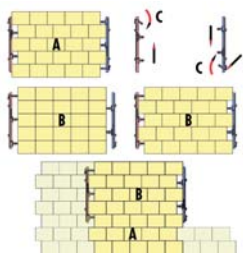
HVZ-VA-SUPERSOFT-24/16-5x5 – Adapter units



HVZ-VA-SUPERSOFT-24/16-5x5



HVZ-VA-180°-24/16-5x5 – Position adapter, folding



HVZ-VA-180°-24/16-5x5



HVZ-PAR-120

HVZ-VA-180°-24/16-5x5: In conventional laying of paving layers with uneven paving rows and shifting with the hydraulic installation clamp into the 1/3-bond, the following situation arises:

The first installation row A can be installed entirely normally, i.e. the paving layers interlock cleanly on the side after shifting. For the second installation row B, the paving layer must first be shifted into the 1/3-bond then the clamp must be raised and turned through 180° with no blocks. Subsequently, the side gripping width is deactivated by means of a ball valve, the paving layer is clamped again, the clamp is turned back through 180° with the paving layer and then installed.

This must be done for every paving layer in even installation rows (2, 4, 6...), so that the running bond aligns.

With the HVZ-VA-180° shifting adapters from Probst this time-consuming effort is no longer required for installation of even installation rows.

The two shifting adapters are screwed onto the C-profiles of the side gripping width.

With a C grip, it is now possible by simple shifting of the two position adapters and by folding in and out the third position adapter, to adjust the side gripping width on which side 2 or 3 blocks are shifted into the 1/3 running bond.

The shifting adaptor can be easily retro-fitted onto the C-profiles on the side gripping width of the hydraulic installation claws.

HVZ-VA-SUPERSOFT-20/10-10x4-90° / HVZ-VA-SUPERSOFT-20/10-8x6 / HVZ-VA-SUPERSOFT-20/20-4x6 / HVZ-VA-SUPERSOFT-24/16-5x5: With the HVZ-VA-SUPERSOFT shifting adapters even „anti-shift pavers“ can be shifted easily and without damage.

The individual rows of pavers are spread apart a few millimetres in a V-shape before they are actually shifted.

The pavers can then be shifted without damage; the spacers are undamaged and there is no damage on the pavers themselves.

The main gripping width subsequently compresses the individual rows again and grips the paving block layer. This takes place in one operation.

The shifting adaptor can be easily retro-fitted onto the C-profiles on the side gripping width of the hydraulic installation claws.

HVZ-UNI-II-PK-II: For safe installation of 90° herringbone block layers with no half blocks at the sides.

If half blocks are missing from the block layer at the sides, individual blocks are not gripped by the installation clamp. The clamping elements of the HVZ-UNI-II-PK-II paving claw also grip these blocks and thus allow easy installation.

Comprises 2 support bars and 3 hydraulic clamping elements.

The hydraulic clamping elements are fixed to the side clamp holders, i.e. they are automatically adjusted at the same time in the case of adjustment of the secondary clamp.

Type	Description	Dead Weight kg (lbs)	Dimensions Stone/ Element L x W mm (in)	Length mm (in)	Paver Layer Rows x Stones/Row	Order-Number	Euro
C-Profiles	50 x 30 x 950 mm (2 x 1 x 38 inch) (W x H x L)	6 (13)				34010018	100,-
C-Profiles	50 x 30 x 860 mm (2 x 1 x 34 inch) (W x H x L)	5.5 (12)				34010046	87,-

Type	Description	Dead Weight kg (lbs)	Dimensions Stone/ Element L x W mm (in)	Length mm (in)	Paver Layer Rows x Stones/Row	Order-Number	Euro
FA adapter for rectangular bricks	Set of herringbone adapters with positioning feet for HVZ-UNI-II/HVZ-ECO	18 (40)				41400847	1.860,-
FA adapter for rectangular bricks	Set of herringbone adapters with RE blade for HVZ-UNI-II/HVZ-PAVERTRON	16.684 (37)				41401257*	1.250,-
FA adapter for Uni bricks	Set of herringbone adapters with positioning feet for HVZ-UNI-II/HVZ-ECO	15 (33)				41401042	1.860,-
HD connection hose	1,700 mm (67 inch) long – HVZ 12 L	0.9 (1.98)				22000007	62,50
HD connection hose	600 mm (24 inch) long for hydraulic rotator Indexator 12 L	0.28 (0.62)				22000081	34,50
HD connection hose	1,100 mm (44 inch) long for hydraulic rotator HVZ 10 L	0.78 (1.72)				22000032	39,-
HD connection hose	3,000 mm (10 inch) long – HVZ 12 L	1.7 (3.75)				22000312	89,-
HD connection hose	2,500 mm (10 inch) long – HVZ/VZ-HS 12 L	1.1 (2.43)				22000014	79,50
HVZ-PA-110	Position adapter	0.34 (0.75)		110 (4.33)		41400121	19,-
HVZ-PA-120	Position adapter	0.36 (0.79)		120 (4.72)		41400128	23,-
HVZ-PA-80	Position adapter	0.29 (0.64)		80 (3.15)		41400123	44,-
HVZ-PAR-100	Roller position adapter	0.5 (1.10)		100 (3.94)		41401010	63,50
HVZ-PAR-120	Roller position adapter	0.5 (1.10)		120 (4.72)		41401020	92,50
HVZ-PAR-80	Roller position adapter	0.4 (0.88)		80 (3.15)		41401019	68,50
HVZ-UNI-II-PEA	Set of PE supports for height adjustment	10.5 (23)				41400986	420,-
HVZ-UNI-II-PK-II	Paving Claw Adapter	45 (99)				41401069	6.040,-
HVZ-VA-180°-24/16-5 x 5	Shifting adapter for 180° rotation with stones 240 x 160 – 5 x 5 rows can be laid in 1/3 bond	13 (29)	240 x 160 (9.45 x 6.30)		5 x 5	41400988	1.600,-
HVZ-VA-KA-20-25-30	Shifting adapter	2.812 (6.20)		200 – 250 / 300 (7.87 – 9.84 / 11.81)		41401211	265,-
HVZ-VA-SUPER-SOFT-20/10-10 x 4-90°	Shifting Adapter for shift-resistant stones 200 x 100 – 10 x 4-90° rows laid in 1/2 bond	30 (66)	200 x 100 (7.87 x 3.94)		10 x 4	41400951	2.280,-
HVZ-VA-SUPER-SOFT-20/10-8 x 6	Shifting adapter for shift-resistant stones 200 x 100 – 8 x 6 rows can be laid in 1/2 bond	20 (44)	200 x 100 (7.87 x 3.94)		8 x 6	41400923	2.030,-
HVZ-VA-SUPER-SOFT-20/20-4 x 6	Shifting Adapter for shift-resistant stones 200 x 200 (300 x 200) – 4 x 6 (4 x 4) rows laid in 1/2 (1/3) bond	18 (40)	200 x 200 (7.87 x 7.87)		4 x 6	41401025	1.850,-
HVZ-VA-SUPER-SOFT-24/16-5 x 5	Shifting Adapter for shift-resistant stones 240 x 160 – 5 x 5 rows laid in 1/3 bond	16 (35)	240 x 160 (9.45 x 6.30)		5 x 5	41400924	2.030,-

* Attention! When combining HVZ-UNI-II and VM-X, the 'Classic Control' operating concept is mandatory.



1



HVZ-LIGHT

HVZ-LIGHT Hydraulic Installation Clamp

The light and reasonably priced entry-level clamp for mechanical stone laying, also suited to laying large slabs.

With no side clamping. Stone positions that are not interlocked can therefore not be displaced into the stretch bond.

Safe gripping function depending on the condition of the spacers and the quality of the stones.

Weight without hydraulic rotator, C-Profiles and suspension.

- 2-position-suspension with springs to lessen the swinging caused by the driving movement.
- Additional chain to move the clamp diagonally enabling easier positioning and a much more precise installation of the blocks.
- Manually operated turning device which locks place after 90°.
- The hydraulic system allows an optimum of movement: Ensures safe gripping of the layer by the main grippers.
- The main gripping width opens to lay down the paving blocks in the laying course.
- Because of its light dead weight, the HVZ-LIGHT is particularly suitable for attachment to mini wheel loaders and mini excavators as well as for VM laying machines.
- For attachment to a carrier, only a hydraulic circuit is required.
- Durable surface protection by galvanizing.

Type	Working Load Limit/WLL kg (lbs)	Dead Weight kg (lbs)	Hydraulic Connection Pressure bar (psi)	Hydr. Volumetric Flow l/min (gpm)	Hydr. Backflow Pressure, max. bar (psi)	Opening Width Main Gripper mm (in)	Length of Gripper mm (in)	Inside Height mm (in)	Order-Number	Euro
HVZ-LIGHT	400 (882)	159 (351)	160 – 320 (2,321 – 4,641)	15 – 75 (3.96 – 19.82)	20 (290.08)	570 – 1,240 (22.44 – 48.82)	1,200 (47.24)	110 (4.33)	51400035	5.610,-

Accessories:

HVZ-LIGHT-ADV: Mechanical Pushing-off device can be retrofitted for all HVZ-LIGHT models. Because the pavers can not rock during the laying process, time consuming readjustment is avoided.

Type	Description	Dead Weight kg (lbs)	Working Load Limit/WLL kg (lbs)	Order-Number	Euro
HD connection hose	3,000 mm (10 inch) long – HVZ 12 L	1.7 (3.75)		22000312	89,-
HD connection hose	600 mm (24 inch) long for hydraulic rotator Indexator 12 L	0.28 (0.62)		22000081	34,50
HD connection hose	1,700 mm (67 inch) long – HVZ 12 L	0.9 (1.98)		22000007	62,50
HD connection hose	1,100 mm (44 inch) long for hydraulic rotator HVZ 10 L	0.78 (1.72)		22000032	39,-
HVZ-LIGHT-ADV	mechanical Pushing-off device	8.973 (20)		41401198	844,-
Lifting eye for attaching to crane hook		0.9 (1.98)	1,000 (2,205)	31010004	108,-

Spare Parts:

Type	Description	Dead Weight kg (lbs)	Order-Number	Euro
HD connection hose	2,500 mm (10 inch) long – HVZ/VZ-HS 12 L	1.1 (2.43)	22000014	79,50



HVZ-GENIUS-II

HVZ-GENIUS-II Hydraulic Installation Clamp

The HVZ-GENIUS-II is a powerful excavator attachment tongs and a powerful all-rounder, now with significantly increased displacement force and all without electricity.

The highly efficient excavator attachment grab now with significantly increased shifting force. With only one single hydraulic circuit required and the fully automatic selectable motion sequences the HVZ-GENIUS-II is a powerful all-rounder without being dependent on electric current.

Equipment for shifting other stone formats e.g. such as H-stones on request. No cost-intensive filter maintenance. Specific, automatic pushing-off device ADV. Complete with continuous hydraulic rotator, hoses and suspension for excavator, and now also includes a bracket for quick-release adapters. Safe gripping function depending on the condition of the spacers and the quality of the stones. Weight without hydraulic rotator, C-Profiles and suspension.

- An inspection glass provides a better view of the drum control's direction of rotation.
- Large safety handles.
- Now with a scale for even easier adjustment of the main gripping width.
- Allows automatic shifting of rectangular pavers into running bond.
- Flush laying without any gap along walls and kerbs.
- Overlaying handles are quickly removable.
- No retrofitting of the excavator.
- The HVZ-GENIUS-II can be fit to all types of excavators. Thus no additional investment in case the clamp is to be attached to different types of excavators.
- Gripping range can be easily adjusted without additional tools.
- The supporting wheels can be adjusted easy and quickly through a crank handle.
- Grab swing brake between hydraulic rotator and excavator suspension.
- First-class, electrogalvanised material components guarantee optimum operating safety and long life cycle.
- Minimum operating weight of excavator from approx. 3.5 t.

Scope of delivery:

HVZ-GENIUS-II: Including rotator, UBA, endulum brake, universal joint and 4 hydraulic hoses. With a tool holder for tubular and Allen keys 2 C-Profiles 860 mm/34 inch long and 10 Positioning Adaters to shift avers by 100 mm/4 inch.

Type	Working Load Limit/WLL kg (lbs)	Dead Weight kg (lbs)	Gripping Range mm (in)	Hydraulic Connection Pressure bar (psi)	Hydr. Volumetric Flow l/min (gpm)	Hydr. Backflow Pressure, max. bar (psi)	Opening Width Main Gripper mm (in)	Opening Width Side Gripper mm (in)	Order-Number	Euro
HVZ-GENIUS-II	400 (882)	350 (772)	600 – 1,400 (23.62 – 55.12)	180 – 320 (2,611 – 4,641)	25 – 80 (6.61 – 21.14)	10 (145.04)	580 – 1,470 (22.83 – 57.87)	960 – 1,440 (37.80 – 56.69)	51400042	20.100,-

Accessories:



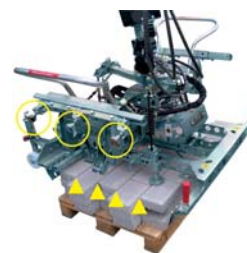
LSW-MS-03



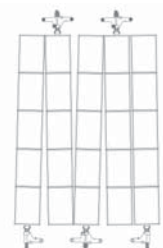
LSW-MS-08



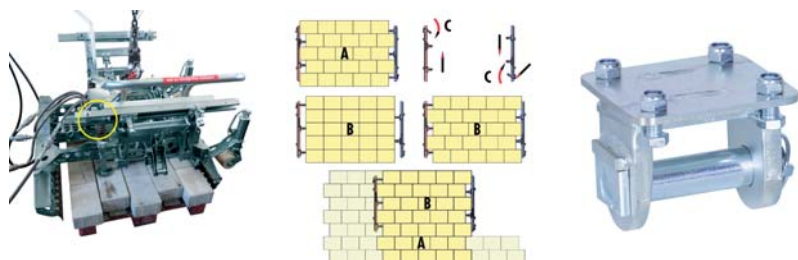
UBA-1200



HVZ-VA-SUPERSOFT-24/16-5x5 – Adapter units



HVZ-VA-SUPERSOFT-24/16-5x5



HVZ-VA-180°-24/16-5x5 – HVZ-VA-180°-24/16-5x5 Fork to LW 86 universal joint
Position adapter, folding

HVZ-VA-180°-24/16-5x5: In conventional laying of paving layers with uneven paving rows and shifting with the hydraulic installation clamp into the 1/3-bond, the following situation arises:

The first installation row A can be installed entirely normally, i.e. the paving layers interlock cleanly on the side after shifting.

For the second installation row B, the paving layer must first be shifted into the 1/3-bond then the clamp must be raised and turned through 180° with no blocks. Subsequently, the side gripping width is deactivated by means of a ball valve, the paving layer is clamped again, the clamp is turned back through 180° with the paving layer and then installed.

This must be done for every paving layer in even installation rows (2, 4, 6...), so that the running bond aligns.

With the HVZ-VA-180° shifting adapters from Probst this time-consuming effort is no longer required for installation of even installation rows.

The two shifting adapters are screwed onto the C-profiles of the side gripping width.

With a C grip, it is now possible by simple shifting of the two position adapters and by folding in and out the third position adapter, to adjust the side gripping width on which side 2 or 3 blocks are shifted into the 1/3 running bond.

The shifting adaptor can be easily retro-fitted onto the C-profiles on the side gripping width of the hydraulic installation claws.

HVZ-VA-SUPERSOFT-20/10-10x4-90° / HVZ-VA-SUPERSOFT-20/10-8x6 / HVZ-VA-SUPERSOFT-20/20-4x6 / HVZ-VA-SUPERSOFT-24/16-5x5: With the HVZ-VA-SUPERSOFT shifting adapters even „anti-shift pavers“ can be shifted easily and without damage.

The individual rows of pavers are spread apart a few millimetres in a V-shape before they are actually shifted.

The pavers can then be shifted without damage; the spacers are undamaged and there is no damage on the pavers themselves.

The main gripping width subsequently compresses the individual rows again and grips the paving block layer. This takes place in one operation.

The shifting adaptor can be easily retro-fitted onto the C-profiles on the side gripping width of the hydraulic installation claws.

LSW-MS-01 + MS-03 / LSW-MS-03 + MS-08 / LSW-MS-03 / LSW-MS-08: By using the SW, the HVZ-GENIUS-II / HVZ-ECO can be fitted to all kind of excavators which are equipped with the Lehnhoff quick-change-device.

UBA-1200 / UBA-3000: Suitable for most current excavators, maximum bolt diameter up to 70 mm, incl. adapter set of spacer sleeves.

Advantage: The HVZ can be quickly and easily fastened to any excavator.

Type	Description	Dead Weight kg (lbs)	Working Load Limit/WLL kg (lbs)	Dimensions Stone/ Element L x W mm (in)	Length mm (in)	Paver Layer Rows x Stones/Row	Order-Number	Euro
C-Profiles	50 x 30 x 950 mm (2 x 1 x 38 inch) (W x H x L)	6 (13)					34010018	100,-
C-Profiles	50 x 30 x 860 mm (2 x 1 x 34 inch) (W x H x L)	5.5 (12)					34010046	87,-
Fork to LW 86 universal joint	for LSW 03 + LSW 08 Lehnhoff adapter + UBA-1200/3000	3.6 (7.94)	1,200 (2,646)				40110278	149,-
HD connection hose	600 mm (24 inch) long for hydraulic rotator Indexator 12 L	0.28 (0.62)					22000081	34,50
HD connection hose	1,700 mm (67 inch) long – HVZ 12 L	0.9 (1.98)					22000007	62,50
HD connection hose	2,500 mm (10 inch) long – HVZ/VZ-HS 12 L	1.1 (2.43)					22000014	79,50
HD connection hose	3,000 mm (10 inch) long – HVZ 12 L	1.7 (3.75)					22000312	89,-
HD connection hose	1,100 mm (44 inch) long for hydraulic rotator HVZ 10 L	0.78 (1.72)					22000032	39,-

Type	Description	Dead Weight kg (lbs)	Working Load Limit/WLL kg (lbs)	Dimensions Stone/ Element L x W mm (in)	Length mm (in)	Paver Layer Rows x Stones/Row	Order-Number	Euro
HVZ-VA-180°-24/ 16-5 x 5	Shifting adapter for 180° rotation with stones 240 x 160 – 5 x 5 rows can be laid in 1/3 bond	13 (29)		240 x 160 (9.45 x 6.30)		5 x 5	41400988	1.600,-
HVZ-VA-KA-20-25- 30	Shifting adapter	2.812 (6.20)			200 – 250 / 300 (7.87 – 9.84 / 11.81)		41401211	265,-
HVZ-VA-SUPER- SOFT-20/10-10 x 4- 90°	Shifting Adapter for shift-resistant stones 200 x 100 – 10 x 4-90° rows laid in 1/2 bond	30 (66)		200 x 100 (7.87 x 3.94)		10 x 4	41400951	2.280,-
HVZ-VA-SUPER- SOFT-20/10-8 x 6	Shifting adapter for shift-resistant stones 200 x 100 – 8 x 6 rows can be laid in 1/2 bond	20 (44)		200 x 100 (7.87 x 3.94)		8 x 6	41400923	2.030,-
HVZ-VA-SUPER- SOFT-20/20-4 x 6	Shifting Adapter for shift-resistant stones 200 x 200 (300 x 200) – 4 x 6 (4 x 4) rows laid in 1/2 (1/3) bond	18 (40)		200 x 200 (7.87 x 7.87)		4 x 6	41401025	1.850,-
HVZ-VA-SUPER- SOFT-24/16-5 x 5	Shifting Adapter for shift-resistant stones 240 x 160 – 5 x 5 rows laid in 1/3 bond	16 (35)		240 x 160 (9.45 x 6.30)		5 x 5	41400924	2.030,-
LSW-MS-01 + MS-03	Suitable for Lehnhoff-Type MS-01 and MS-03	19 (42)	800 / 1,000 (1,764 / 2,205)				40110479	1.460,-
LSW-MS-03	Adapter suspension for Lehnhoff type MS-03	29 (64)	1,000 (2,205)				40110268	535,-
LSW-MS-03 + MS-08	Adapter suspension for Lehnhoff type MS-03 and MS-08	49 (108)	1,000 / 1,000 (2,205 / 2,205)				40110434	1.870,-
LSW-MS-08	Adapter suspension for Lehnhoff type MS/HM 08	75 (165)	1,000 (2,205)				40110269	1.080,-
UBA-1200	Universal excavator suspension	15 (33)	1,200 (2,646)				41400571	920,-
UBA-3000	Universal excavator suspension	18 (40)	3,000 (6,614)				41400088	974,-

011225 Technical adjustments and changes to the colour scheme are reserved. Illustrations are exemplary and non-binding. No liability accepted for any misprints, mistakes and errors. Prices are ex works. * Details in the General Sales Conditions at the end of the catalog or at www.probst-handling.com/en/gtc



NEW

HVZ-PAVERTRON

Electro-hydraulic installation clamp

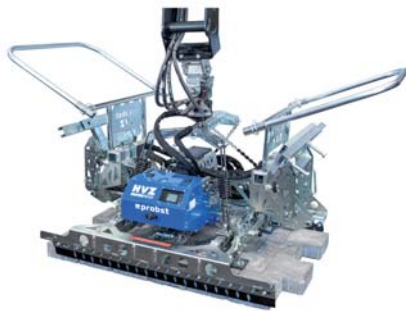


HVZ-PAVERTRON

Electro-hydraulic paver laying clamp for excavators from 2.5 t with a fast cycle time of 4.5 seconds and 10 selectable programs. Thanks to the speed program and booster function, it enables a laying performance of up to 700 m² per day.

The electro-hydraulic control system combines hydraulic power with smart electronics. Ten programmes offer the perfect setting for every situation: standard run-off, fast alignment, different displacement performance and more. In addition, a patented calibration programme automatically adjusts the clamp to the carrier device – for a smooth start. The program is selected via a colour display or conveniently from the cab using the optional remote control. Includes an 18V/4Ah Makita battery, sufficient for up to 560 laying cycles per charge.

The optimised design with integrated overload protection ensures maximum robustness and durability. A signalling lamp indicates the various states of the jaws, while folding handles make it easier to work in tight spaces such as alongside house walls. Thanks to the short support rollers, the preparation of just one row of bricks is sufficient for machine laying. With the integrated cycle and operating hours counter, hire charges and orders can be calculated precisely – ideal for hire centres.



HVZ-PAVERTRON

- Up to 700 m² laying performance per day thanks to speed programme & booster function.
- Only 4.5 seconds clamp cycle for maximum productivity.
- 10 programmes for flexible laying.
- Automatic calibration for immediate use.
- Robust design.
- Simple operation via display or remote control.
- Pushing off device ADV as a standard: Because the pavers can not rock during the laying process, time consuming readjustment is avoided.
- Excavation – main clamp does not move into the subgrade when opening.
- Incl. Makita 18V/4Ah rechargeable battery – for up to 560 cycles.
- Many adapters available for different laying formats.
- The clamp can also be attached to all standard paving machines, such as the VM-X-PAVERMAX.



HVZ-PAVERTRON-NL

HVZ-PAVERTRON-NL: as HVZ-PAVERTRON, but with an additional set of herringbone adapters with RE blades for rectangular bricks and barrel rollers.

Scope of delivery:

HVZ-PAVERTRON: Electro-hydraulic avement installation clamp incl. rotator, fork for universal joint LW 86 for attachment to excavator adater, c-rofiles, osition adater HVZ-PA-100 (100 mm), endulum brake, 4 hydraulic connection hoses (2500 mm), Makita Li-Ion-Battery-18V/4Ah

HVZ-PAVERTRON-NL: Electro-hydraulic avement installation clamp incl. rotator, & Universal joint for susension on the carrier device, set of Herring-Bone adater with RE-blades, endulum brake, 4 hydraulic connection hoses (2500 mm), suort rollers with barrel rollers, Makita Li-Ion-Battery-18V/4Ah

Type	Working Load Limit/WLL kg (lbs)	Dead Weight kg (lbs)	Gripping Range mm (in)	Hydraulic Connection Pressure bar (psi)	Hydr. Volumetric Flow l/min (gpm)	Opening Width Main Gripper mm (in)	Opening Width Side Gripper mm (in)	Length of Gripper mm (in)	Order-Number	Euro
HVZ-PAVERTRON	400 (882)	238 (525)	600 – 1,000 (23.62 – 39.37)	170 – 320 (2,466 – 4,641)	16 – 75 (4.23 – 19.82)	580 – 1,100 (22.83 – 43.31)	960 – 1,440 (37.80 – 56.69)	1,150 (45.28)	51400043	17.400,–
HVZ-PAVERTRON-NL	400 (882)	265 (584)	600 – 1,000 (23.62 – 39.37)	170 – 320 (2,466 – 4,641)	16 – 75 (4.23 – 19.82)	580 – 1,100 (22.83 – 43.31)	960 – 1,440 (37.80 – 56.69)	1,150 (45.28)	51400044	19.200,–

Accessories:



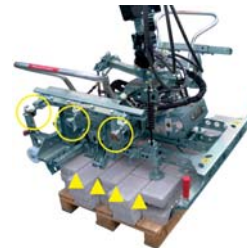
LSW-MS-03



LSW-MS-08



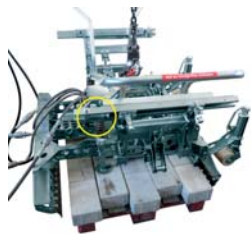
UBA-1200



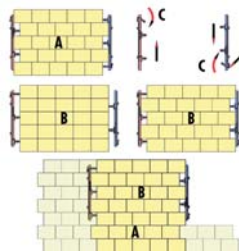
HVZ-VA-SUPERSOFT-24/16-5x5 – Adapter units



HVZ-VA-SUPERSOFT-24/16-5x5



HVZ-VA-180°-24/16-5x5 – Position adapter, folding



HVZ-VA-180°-24/16-5x5



HVZ-PAR-120

HVZ-VA-180°-24/16-5x5: In conventional laying of paving layers with uneven paving rows and shifting with the hydraulic installation clamp into the 1/3-bond, the following situation arises:

The first installation row A can be installed entirely normally, i.e. the paving layers interlock cleanly on the side after shifting.

For the second installation row B, the paving layer must first be shifted into the 1/3-bond then the clamp must be raised and turned through 180° with no blocks. Subsequently, the side gripping width is deactivated by means of a ball valve, the paving layer is clamped again, the clamp is turned back through 180° with the paving layer and then installed.

This must be done for every paving layer in even installation rows (2, 4, 6...), so that the running bond aligns.

With the HVZ-VA-180° shifting adapters from Probst this time-consuming effort is no longer required for installation of even installation rows.

The two shifting adapters are screwed onto the C-profiles of the side gripping width.

With a C grip, it is now possible by simple shifting of the two position adapters and by folding in and out the third position adapter, to adjust the side gripping width on which side 2 or 3 blocks are shifted into the 1/3 running bond.

The shifting adaptor can be easily retro-fitted onto the C-profiles on the side gripping width of the hydraulic installation claws.

HVZ-VA-SUPERSOFT-20/10-10x4-90° / HVZ-VA-SUPERSOFT-20/10-8x6 / HVZ-VA-SUPERSOFT-20/20-4x6 / HVZ-VA-SUPERSOFT-24/16-5x5: With the HVZ-VA-SUPERSOFT shifting adapters even „anti-shift pavers“ can be shifted easily and without damage.

The individual rows of pavers are spread apart a few millimetres in a V-shape before they are actually shifted.

The pavers can then be shifted without damage; the spacers are undamaged and there is no damage on the pavers themselves.

The main gripping width subsequently compresses the individual rows again and grips the paving block layer. This takes place in one operation.

The shifting adaptor can be easily retro-fitted onto the C-profiles on the side gripping width of the hydraulic installation claws.

LSW-MS-01 + MS-03 / LSW-MS-03 + MS-08 / LSW-MS-03 / LSW-MS-08: By using the SW, the HVZ-GENIUS-II / HVZ-ECO can be fitted to all kind of excavators which are equipped with the Lehnhoff quick-change-device.

UBA-1200 / UBA-3000: Suitable for most current excavators, maximum bolt diameter up to 70 mm, incl. adapter set of spacer sleeves.
Advantage: The HVZ can be quickly and easily fastened to any excavator.

Type	Description	Dead Weight kg (lbs)	Working Load Limit/WLL kg (lbs)	Dimensions Stone/Element L x W mm (in)	Length mm (in)	Paver Layer Rows x Stones/ Row	Order-Number	Euro
C-Profiles	50 x 30 x 950 mm (2 x 1 x 38 inch) (W x H x L)	6 (13)					34010018	100,-
C-Profiles	50 x 30 x 860 mm (2 x 1 x 34 inch) (W x H x L)	5.5 (12)					34010046	87,-
FA adapter for rectangular bricks	Set of herringbone adapters with RE blade for HVZ-UNI-II/HVZ-PAVERTRON	16.684 (37)					41401257	1.250,-
Height-adjustable support	long, with polyamide	0.88 (1.94)					41401260	110,-

011225 Technical adjustments and changes to the colour scheme are reserved. Illustrations are exemplary and non-binding. No liability accepted for any misprints, mistakes and errors. Prices are ex works. * Details in the General Sales Conditions at the end of the catalog or at www.probst-handling.com/en/gtc

Type	Description	Dead Weight kg (lbs)	Working Load Limit/WLL kg (lbs)	Dimensions Stone/Element L x W mm (in)	Length mm (in)	Paver Layer Rows x Stones/ Row	Order-Number	Euro
HVZ-PA-80	Position adapter	0.29 (0.64)			80 (3.15)		41400123	44,-
HVZ-PA-100	Position adapter	0.31 (0.68)			100 (3.94)		41400036	34,50
HVZ-PA-110	Position adapter	0.34 (0.75)			110 (4.33)		41400121	19,-
HVZ-PA-120	Position adapter	0.36 (0.79)			120 (4.72)		41400128	23,-
HVZ-PAR-80	Roller position adapter	0.4 (0.88)			80 (3.15)		41401019	68,50
HVZ-PAR-100	Roller position adapter	0.5 (1.10)			100 (3.94)		41401010	63,50
HVZ-PAR-120	Roller position adapter	0.5 (1.10)			120 (4.72)		41401020	92,50
HVZ-PAVERTRON-FFS	Remote control	0.407 (0.90)					41401251	1.450,-
HVZ-VA-180°-24/16-5 x 5	Shifting adapter for 180° rotation with stones 240 x 160 – 5 x 5 rows can be laid in 1/3 bond	13 (29)		240 x 160 (9.45 x 6.30)		5 x 5	41400988	1.600,-
HVZ-VA-KA-20-25-30	Shifting adapter	2.812 (6.20)			200 – 250 / 300 (7.87 – 9.84 / 11.81)		41401211	265,-
HVZ-VA-SUPER-SOFT-20/10-10 x 4-90°	Shifting Adapter for shift-resistant stones 200 x 100 – 10 x 4-90° rows laid in 1/2 bond	30 (66)		200 x 100 (7.87 x 3.94)		10 x 4	41400951	2.280,-
HVZ-VA-SUPER-SOFT-20/10-8 x 6	Shifting adapter for shift-resistant stones 200 x 100 – 8 x 6 rows can be laid in 1/2 bond	20 (44)		200 x 100 (7.87 x 3.94)		8 x 6	41400923	2.030,-
HVZ-VA-SUPER-SOFT-20/20-4 x 6	Shifting Adapter for shift-resistant stones 200 x 200 (300 x 200) – 4 x 6 (4 x 4) rows laid in 1/2 (1/3) bond	18 (40)		200 x 200 (7.87 x 7.87)		4 x 6	41401025	1.850,-
HVZ-VA-SUPER-SOFT-24/16-5 x 5	Shifting Adapter for shift-resistant stones 240 x 160 – 5 x 5 rows laid in 1/3 bond	16 (35)		240 x 160 (9.45 x 6.30)		5 x 5	41400924	2.030,-
LSW-MS-03	Adapter suspension for Lehnhoff type MS-03	29 (64)	1,000 (2,205)				40110268	535,-
LSW-MS-03 + MS-08	Adapter suspension for Lehnhoff type MS-03 and MS-08	49 (108)	1,000 / 1,000 (2,205 / 2,205)				40110434	1.870,-
LSW-MS-08	Adapter suspension for Lehnhoff type MS/HM 08	75 (165)	1,000 (2,205)				40110269	1.080,-
Makita LG-230V/18V	Quick charger						24110248	78,-
Makita Li-Ion-18V/4Ah	Li-Ion-battery						24200164	102,-
MSW-M03	Adapter suspension for Martin type M03	34 (75)					41401191	622,-
MSW-M10	Adapter suspension for Martin type M10	33.7 (74)					41400599	776,-
UBA-1200	Universal excavator suspension	15 (33)	1,200 (2,646)				41400571	920,-
UBA-3000	Universal excavator suspension	18 (40)	3,000 (6,614)				41400088	974,-



VZ-H-UNI-KV Full version

VZ-H-UNI Hydraulic Installation Clamp

The VZ-H-UNI is a hydraulic universal clamp that grips and moves a wide range of stone elements in road construction, civil engineering and landscaping.

A huge variety of building elements for road construction, civil engineering, horticulture and landscaping are handled and installed with this multifunctional clamp: precast kerb stones, granite kerb stones, slabs, L-shaped retaining walls, wall elements, natural stone blocks, grass stones etc.

Infinitely adjustable – without changing any clamp settings, products within a gripping range from 40 – 1,500 mm (1.57 – 59 inch) are picked-up and installed. Standard grippers are replaced with special rock grippers VZ-H-UNI-FG for installation of wall elements, rocks and boulders.

Add-on: the multifunctional gripping adapter VZ-H-UNI-RG for accurate installation of up to 6 grass pavers (according to the size of layer) in one go. The adapter can be reversed – thus bulky and large-seized slabs are installed by steel finger grippers with millimeter accuracy.

Scope of delivery:

VZ-H-UNI-KV Full version: comes with 1 set of rubber griers and 1 set of steel finger griers, claming unit VZ-H-UNI, continuous hydraulic rotator, universal excavator susension and set of hydraulic hoses (carrier has to rovide 2 searate hydraulic circuits for oeration of this full version).

VZ-H-UNI-BV Basic version: comes with 1 set of rubber griers, 1 set of steel finger griers and claming unit VZ-H-UNI.

Type	Working Load Limit/WLL kg (lbs)	Dead Weight kg (lbs)	Opening Width Main Gripper mm (in)	Length of Gripper mm (in)	Inside Height mm (in)	Order-Number	Euro
VZ-H-UNI-KV Full version	500 (1,102)	170 (375)	45 – 1,560 (1.77 – 61.42)	100 (3.94)	67 / 128 (2.64 / 5.04)	51600031-002	6.590,-
VZ-H-UNI-BV Basic version	500 (1,102)	140 (309)	45 – 1,560 (1.77 – 61.42)	100 (3.94)		51600031-001	5.440,-

Accessories:



VZ-H-UNI-KV + VZ-H-UNI-FG

VZ-H-UNI-KV + VZ-H-UNI-RG

VZ-H-UNI-AB: Fast and precise application of the transfer tongs to the material to be gripped.

VZ-H-UNI-FG: Standard grippers are replaced with special rock grippers VZ-H-UNI-FG for installation of wall elements, rocks and boulders.

VZ-H-UNI-RG: Add-on: the multifunctional gripping adapter VZ-H-UNI-RG for accurate installation of up to 6 grass pavers (according to the size of layer) in one go. The adapter can be reversed – thus bulky and large-seized slabs are installed by steel finger grippers with millimeter accuracy.

Type	Description	Working Load Limit/WLL kg (lbs)	Dead Weight kg (lbs)	Order-Number	Euro
VZ-H-UNI-AB	Clamp mountings and stop brackets (in pairs)			41600193	306,-
VZ-H-UNI-FG	Rock grippers (in pairs)	500 (1,102)	25 (55)	41600160	660,-
VZ-H-UNI-GBL	Rubber gripper wirh larger inside height	500 (1,102)	4.13 (9.11)	41600151	387,-
VZ-H-UNI-RG	Gripping adapter for grass stones and large-seized slabs (in pairs)	500 (1,102)	29 (64)	41600176	1.570,-



1



VZ-HS-50/150 Basic unit

VZ-HS-50/150 Hydraulic Kerb Stone Laying Clamp

With this universal clamp heavy and different sized kerbstones (granite and concrete) can be transported and installed safely and efficiently.

Fits all kind of carries, supplying one hydraulic circuit.
Incl. joint plate for mounting a hydraulic rotator or quick change device, Rubber protected height stop, Steel finger grippers.

Type	Working Load Limit/WLL kg (lbs)	Dead Weight kg (lbs)	Opening Width Main Gripper mm (in)	Length of Gripper mm (in)	Inside Height mm (in)	Order-Number	Euro
VZ-HS-50/150 Basic unit	400 (882)	105.91 (233)	465 – 1,465 (18.31 – 57.68)	100 (3.94)	60 / 120 (2.36 / 4.72)	51600014	4.250,-

Accessories:

Type	Description	Dead Weight kg (lbs)	Order-Number	Euro
Adapter between UBA and Rotator		1.4 (3.09)	40110270	176,-
Bypass restrictor	for operation w/VM-401/301/203/204	1 (2.20)	41900080	317,-
Bypass restrictor	for operation w/excavator	1 (2.20)	41900101	286,-
FR-15	Rotator	10 (22)	22500039	614,-



VTK-V with supporting wheel

VTK-V Adjustable Paver Transport Cart

For the effortless transportation of bound or loose pavers, kerb stones, slabs, etc.

Clamping is done by operating a lever 90° (maximum pressure 15 kg).
Adjustable gripping width from 550 mm – 1,050 mm.

- An integral protection device prevents overloading of the clamping mechanism.
- A favourable load distribution and the light-weight-nature of the device ensures optimal operating.
- Its narrow build means it can be used on the smallest building sites.
- Blocks can easily be loaded from the pallet without the need of a ramp.
- Fully mechanical.
- Adjusts smoothly and without the need for tools.
- Durable galvanized surfaces.

Type	Working Load Limit/ WLL kg (lbs)	Dead Weight kg (lbs)	Clamping Range mm (in)	Length of Gripper mm (in)	Height Stone/Element mm (in)	Order-Number	Euro
VTK-V	400 (882)	68 (150)	550 – 1,050 (21.65 – 41.34)	200 (7.87)	900 (35.43)	51100015	1.099,-



Accessories:



VTK-V with AR

Type	Description	Dead Weight kg (lbs)	Dimensions L x W x H mm (in)	Order-Number	Euro
VTK-V-AR	Access ramp for VTK-V, to make picking up interlocking paving stones on the pallet easier. L = 700 mm (27½ in), W = 850 mm (33½ in), H = 160 mm (6¼ in)	10 (22)	700 x 850 x 160 (27.56 x 33.46 x 6.30)	51100014	225,-
VTK-V-SR/N	Supporting wheel for easy handling on even ground. Can be additionally attached at any time.	7 (15)		41100041	164,-



**PW-III
Pallet-Cart**

For the transportation of palletised products on the building site.

The forks are driven under the pallet, the two main wheels are then located on the pallet's left and right sides. The load is raised using the hand pump and hydraulic cylinder.

- With large rubber wheels for easy movement.



PW-III with drawbar

Type	Description	Working Load Limit/WLL kg (lbs)	Dead Weight kg (lbs)	Dimensions Palette L x W mm (in)	Order-Number	Euro
PW-III	adjustable	1,500 (3,307)	195 (430)	1,250 x 1,263 (49.21 x 49.72)	51100011	2.420,-

Accessories:

Type	Description	Dead Weight kg (lbs)	Order-Number	Euro
Draw bar for PW-III	Retrofit kit with braking function	7 (15)	42300038	325,-

011225 Technical adjustments and changes to the colour scheme are reserved. Illustrations are exemplary and non-binding. No liability accepted for any misprints, mistakes and errors. Prices are ex works. * Details in the General Sales Conditions at the end of the catalog or at www.probst-handling.com/en/gtc



EF-H

EASYFILL EF-H Paver Jointing Device

Easy, flexible, quick and thus cost-saving filling of paver joints for small and medium sized areas. Filling material can be filled in both dry or by adding water.

Your Advantages: High Physical Relieve of Staff.

80% less pushing force due to cleverly designed rotating brushes. This results in an integrated forward drive!

- Robust and Long-life Brushes.
- Up to 50 mm of the bristle length can be worn before replacement.
- Continuous & Quick Adjustment of brushes in height through a spindle fixed to the machine.
- Compact Transport Size. A foldable handle reduces the size to (L x W x H) 800 x 1,170 x 635 mm/ 32 x 46 x 25 inch.
- Fine Dosing of Water with tap integrated in handle.
- With high-quality petrol engine.

Type	Dead Weight kg (lbs)	Type of Drive Petrol Engine kW	Dimensions L x W x H mm (in)	Working Width mm (in)	Order-Number	Euro
EF-H	112 (247)	4	800 x 1,170 x 635 (31.50 x 46.06 x 25.00)	1,170 (46.06)	51700003	3.070,-

Spare Parts:

Type	Dead Weight kg (lbs)	Order-Number	Euro
Brush for EF-H	0.75 (1.65)	41700002	24,-



EB-120/240

EB Sweeping Broom

For efficient sand sweeping after the laying of block pavers. Fast filling of the joints by innovative system of brush-arrangement.

The broom can easily be attached to any other carrier – wheel loader, for example.

- This sweeping broom does not only brush the sand horizontally into the joints, but also diagonally. So the sweeping is a one-way procedure.
- Surplus sand can easily be moved further on. With attachment device for laying machine VM-X/301/401/203/204 as well as for fork attachment.
- The broom can easily be attached to any other carrier – wheel loader, for example.



Type	Description	Dead Weight kg (lbs)	Working Width mm (in)	Order-Number	Euro
EB-120/240	Sweeping Broom complete incl. linkage	105 (231)	1,200 – 2,400 (47.24 – 94.49)	51600021	1.880,-
EB-120	Sweeping Broom complete incl. linkage	64 (141)	1,200 (47.24)	51600019	1.250,-

Spare Parts:

Type	Description	Dead Weight kg (lbs)	Order-Number	Euro
Brush for EB	Brush for EB per piece	1.3 (2.87)	41600002	59,50



2



EC-60

EASYCLEAN EC-60 Paver Cleaning Device

The EASYCLEAN EC-60 is a highly efficient pavement cleaner that uses high pressure and splash guard to clean concrete pavers, slabs and natural stone surfaces.

Highly efficient, engine-equipped high pressure cleaner with splash guard. It enables fast and consistent cleaning of concrete pavers, slabs and natural stone pavement even during the trading hours in pedestrian areas!

- Cleans Up to 5 Times More. Compared to lance-equipped pressure washers. 2 fast rotating special spray nozzles ensure that.
- New Looking Pavement in colour and structure by even surface and joint cleaning in one go.
- Independent from Power Supply due to powerful gasoline engine.
- Reduced Preparation Time since the splash guard is an excellent protective measure. Thus no fouling of the surrounding area and the user. This modern design makes protective clothes for the user unnecessary.
- Save Cleaning of Joints.
- High Safety for Surrounding Area due to covered work space.
- Dirt is Flushed Aside by an integrated flushing system.
- Improved Water Permeability. Sediment-free joints allow more water to pass. Independent of mains power, the powerful high-pressure pump (max. 150 bar operating pressure) is driven by a powerful 4 KW (5.5 hp) Honda petrol engine, only a water supply is needed (bayonet fitting, minimum water pressure = 0,3 bar/psi, minimum volume flow, 20 l/min).
- Easy movement of machine: wheels below the splash guard allow easy handling.
- Handle with integrated stop cock for water supply cut-off.
- Compact Transport Size. A foldable handle reduces the size to (L x W x H) 800 x 600 x 500 mm / 31 x 24 x 20 inch which suits most car boots.
- Long-Life Splash Guard. Stainless steel protects against rust.

Scope of delivery:

EC-60: Including Water Hose Adater WSA-Gardena as a standard feature (adater for connecting the EC-60 bayonet couling to a Gardena water hose couling).

Type	Dead Weight kg (lbs)	Water Connection Pressure, min. bar (psi)	Water Volumetric Flow, min. l/min (gpm)	Type of Drive Petrol Engine kW	Dimensions L x W x H mm (in)	Working Width mm (in)	Order-Number	Euro
EC-60	53 (117)	0.3 (4.35)	20 (5.28)	4	800 x 600 x 500 (31.50 x 23.62 x 19.69)	600 (23.62)	51700004	3.910,-

Accessories:



Set SL-8 (right) + CK (left)

DF

SSK

DF: Spray lance head with integrated dirt drill for erasing heavy dirt. Can be fixed within seconds to the SL-8.

SL-8 / CK: Spray Lance SL-8: Complete spray lance, nozzles adjusted to the high pressure pump, lance head with integrated switch for high/low pressure, including high pressure hose with 8 m length.

Chemical Kit CK: Our high pressure pump is equipped with a metering unit for chemical additives. The CK enables the intake and the dosage of such additives from containers.

SSK: For erasing persistent dirt up to derusting and similar applications. This kit allows intake and dosage of sand for blasting (sand is not included in kit).

Type	Description	Dead Weight kg (lbs)	Order-Number	Euro
DF	Dirt Drill	0.59 (1.30)	26110026	196,-
SL-8 / CK	Spray Lance and Chemical Kit	4.7 (10)	26110032	344,-
SSK	Sand Blasting Kit (0.1 – 0.5 mm / 0.004 – 0.02 inch grain quartz sand)	2.6 (5.73)	26110033	202,-

01725 Technical adjustments and changes to the colour scheme are reserved. Illustrations are exemplary and non-binding. No liability accepted for any misprints, mistakes and errors. Prices are ex works. * Details in the General Sales Conditions at the end of the catalog or at www.probst-handling.com/en/gtc



Now 3D-ready

PP with FSD-PP

POWERPLAN PP Screeding Machine



The POWERPLAN PP paver is used for paving subgrade, fine subgrade and bedding material in pavement construction with a high degree of precision and without wear.

The Screeding Machine POWERPLAN PP was specially designed to screed such bedding material without major wear on the machine. Standard Asphalt Paving Machines, (Finisher) are working with scratch conveyors and worm shafts to distribute the material. When screeding sand or chippings for the bedding of concrete pavers, this abrasive material is wearing away these components very fast, which is causing high maintenance costs.

Whether subbase, base or gravel (up to grain size 0/63), split, whether sand or even bedding material, the POWERPLAN PP from Probst takes on installation of the relevant material in one go (up to installation height 20 cm / 7¾ inch) – at absolutely accurate height. Depending on height profile and kind of control system used, it is possible to screed per day between 2.500 sqm (27,000 sqft) using sonic control or up to 10.000 sqm (107,500 sqft) using laser control feature.



PP

Type	Description	Working Load Limit/WLL kg (lbs)	Payload kg (lbs)	Dead Weight kg (lbs)	Type of Drive Diesel Engine kW	Dimensions L x W x H mm (in)	Weight Total Weight kg (lbs)	Volume Hopper m³ (ft³)	Driving Speed km/h (mph)	Order-Number	Euro
PP	Screeding Machine – Basic device without machine control	3,500 (7,716)	3,500 (7,716)	2,500 (5,512)	18.5	3,670 x 2,090 x 2,000 (144.49 x 82.28 x 78.74)	6,000 (13,228)	2.5 (88.29)	2.1 – 4.3 (1.3 – 2.7)	51300014	On Request
PP-S	Machine control system 2D for POWERPLAN PP incl. inclination sensor			1,976 (4.36)						41300270	On Request
PP-3D	Activation code for the use of a 3D controller									41300271	On Request



PP

Hydraulic liftable front chute.

Sideways foldable chutes to avoid material spilling over the side of the hopper. Two independently hydraulically operated lids at the bottom of the hopper to perfectly control the material flow. Basic width of the screed board 2,050 mm (81"). By using one board extension on either side extendable to 2,400 mm (94") or even 2,750 mm (108").

On either side one smoothing board can be fixed to extend the full working width to 3,450 mm (136"). Smooth-running adjustable cantilevers for holding the sonic sensors (sonic ski), complete scanning width up to 6,500 mm (256"). So a 6,000 mm (236") wide road can be screeded scanning from kerb to kerb. Compact transportation measurements H x B x L 1,900 x 2,050 x 3,400 mm (75" x 81" x 134") can be transported on a car trailer.

- Quick filling of the hopper reservoir with a wheel loader shovel up to 2,500 mm (98") wide, from the front or sideways.
- Simple operation by well arranged instruments. Perfect visibility to relevant spots.
- 4-cylinder diesel motor, 18.5 kW / 25.2 hp. Complies with EU emission regulations level V and TIER IV final (USA), no restriction in environmental zones, as engine power < 19 kW.

A 2D machine control system (PP-S) is mandatory for the use of the machine.

Possible control types:

2D height control:

1. ultrasonic sensors (ultrasonic skis). (optionally available) and/or
2. laser receiver. (optionally available)

Can be combined with tilt sensor. (Included in 2D machine control PP-S)

3D control (optionally available):

Use your existing terrain models to optimise the efficiency of surface production. This increases productivity and reduces material costs at the same time. The PP-S 2D machine control system is essential for connecting a 3D control system.

The PP-3D activation code can be used to activate the connection of a 3D machine control system.

The components for the 3D machine control (Leica) must be purchased directly from a dealer:

- Total station for construction consisting of total station, controller incl. software, prism pole and prism
- Machine-side control consisting of machine control unit incl. 3D software, docking station, modem and prism

Accessories:

Type	Description	Dead Weight kg (lbs)	Order-Number	Euro
Diesel particle filter DPF	For POWERPLAN PP	34.3 (76)	41300192	On Request
FSD-PP	Foldeable and detachable sun/rain roof for the operator	71.487 (158)	41300004	On Request
LED-Light package PP	4 additional LED work lights		41300115	On Request
LS-PP	Laser Kit: 2 x laser receiver & case	7 (15)	41300006	On Request
LXS	Laser Set, consisting of: Leica Rugby CLI/CLX 900 (rotating biaxial horizontal laser), with charger, Li-ion battery, hardcase, binoculars, handheld receiver with integrated remote control and clamp holder	5.0 (11)	24290024	On Request
PP-CLS	Spiral cable set (2 pieces) for connecting the laser kit to the machine control unit		41300273	On Request
PP-US	MOBA ultrasound kit for 2D use incl. spiral connection cable		41300272	On Request
Reversing alarm	For POWERPLAN PP		41300108	On Request
RKL-PP	Flashing Beacon	3.5 (7.72)	41300109	On Request
ST-LXS	Tripod for Laser transmitter	4.6 (10)	71150002	On Request
TL-LXS	Telescopic Leveling Post	3.1 (6.83)	71150003	On Request

Diesel particle filter DPF: Protects employees from inhaling dust particles that are harmful to health. A DPF is recommended for use in underground car parks, halls or other buildings. Owing to the modular structure of the machine, even older models can be retrofitted with a diesel particulate filter. (Retrofitting possible only at Probst)

011225 Technical adjustments and changes to the colour scheme are reserved. Illustrations are exemplary and non-binding. No liability accepted for any misprints, mistakes and errors. Prices are ex works. * Details in the General Sales Conditions at the end of the catalog or at www.probst-handling.com/en/gtc



LK-2200 + LK-KS



LK-2200



LK-2200 + LK-KS

LEVELKING LK Screeding Attachment

The LEVELKING LK works with an integrated slip plate and creates both the rough subgrade and the fine subgrade for pavements fully automatically controlled, precisely, quickly and efficiently.

As against conventional screeding blades the LEVELKING works with integrated smoothing board. With this function it is possible to screed not only the subbase, rather the top bedding for paver laying. The LEVELKING screed fully automatic controlled, accurate, fast and efficient and is a real alternative to our wellknown POWERPLAN PP.

Due to the fully automatic height adjustment the screeding is much faster than compared with regular rail-guided systems. The LEVELKING is attachable to wheel loaders, skid-steer- and telescopic loaders. The special advantage is the already integrated floating position. There is no need for this function for the carrier machine. Applications: construction for streets, alleys and paver laying. Screeding of hall floors, sports- and industrial areas. Complete control system, incl. 2 Laser Sensors and 1 Three-Axle Slope Sensor optionally available. Within 2 minutes the control elements can be connected in the cabin into the cigarette lighter. All components (optional: laser/cross slope/ultrasonic) can be combined depending on the situation of the site.

- Hydraulic adjustment of the side wings via joystick.
- High precision control of all functions by proportional valves.
- The shovel form can also be used to carry the material forward.
- Special advantage: no additional loader needed!
- The attachment is equipped with a universal flange plate for the connection. It fits to all common carriage plate sizes and profiles.
- Optionally available: Hydraulic folding shovel with holding capacity of approx. 0.6 m³ for even better material take-up and material distribution.

Scope of delivery:

LK-2200: Basic version with machine Control and control box inc. all cables, 2 hydraulic hoses.

Type	Description	Dead Weight kg (lbs)	Hydr. Volumetric Flow l/min (gpm)	Hydr. Backflow Pressure , max. bar (psi)	Working Voltage V	Working Pressure bar (psi)	Width mm (in)	Volume Shovel m ³ (ft ³)	Order-Number	Euro
LK-2200	Screeding Attachment	960 (2,116)	30 – 100 (7.93 – 26.42)	20 (290.08)	12	180 – 250 (2,611 – 3,626)	2,200 (86.61)	0.6 (21.19)	51300013	On Request
LK-LE	Laser receiver for LK-2200								41300247	On Request
LK-NS	3-axis slope sensor for LK-2200								41300256	On Request

Accessories:

LK-MUS-1300: This sensor can be attached to the left or right side. The sensor fully-automatically controls the height as well as the relevant hydraulic pivoting side wings. Thus keeping the ultrasonic sensor in correct reference position (string or edge) and consequently compensates driving inaccuracies.

LK-S: 2 sensors for mounting on the two levelling cylinders. This makes it possible to move the levelling screed to the centre position at the push of a button. Advantage: no manual adjustment of the screed via joystick.

LK-SH2: in combination with the tri-sonic-sensor left and right side heights can be controlled.

3

Type	Description	Dead Weight kg (lbs)	Volume Shovel m ³ (ft ³)	Order-Number	Euro
LK-KS	Hydraulic folding shovel for LK-2200	50 (110)	0.6 (21.19)	41300188	On Request
LK-MUS-1300	1 Tri-Sonic Sensor incl. bracket, hence automatic Side-Shift-Function of the side wings. Please note: only one (1) Tri-Sonic Sensor can be used with the LEVELKING LK	2.5 (5.51)		41300121	On Request
LK-S	Sensor system for automatic centre position of the screed			41300250	On Request
LK-SH2	1 standard ultrasonic sensor w/o side-shift function, incl. holder	11.4 (25)		41300162	On Request
LXS	Laser Set, consisting of: Leica Rugby CLI/CLX 900 (rotating biaxial horizontal laser), with charger, Li-ion battery, hardcase, binoculars, handheld receiver with integrated remote control and clamp holder	5.0 (11)		24290024	On Request
ST-LXS	Tripod for Laser transmitter	4.6 (10)		71150002	On Request
TL-LXS	Telescopic Leveling Post	3.1 (6.83)		71150003	On Request

011225 Technical adjustments and changes to the colour scheme are reserved. Illustrations are exemplary and non-binding. No liability accepted for any misprints, mistakes and errors. Prices are ex works. * Details in the General Sales Conditions at the end of the catalog or at www.probst-handling.com/en/gtc



TAK Telescopic Screeding Bucket



TAK-750

Universally suitable for precise preparation of the laying course. Specially designed for mechanical operation.

- Special aluminium profiles – Extremely solid with low-wear and high-tensile alloy which are designed to be fully telescopic and continuously adjustable. With integrated jam system to lock and release the telescopic segments in any desired position.
- Each side equipped with height-adjustable and smooth-running roller units with sliding metal sheets and deflectors.
- No height mismatch at the single telescopic junctions as all profiles are arranged at the same level.
- The skillfull design of the profile and its height of 300 mm (11¾ inch) allows the distribution of lots of material. By universally suitable handling attachment, the TAK can be lifted and transported.
- The bucket filled with screeding material can be picked-up with a wheel loader for accurate discharge.

Scope of delivery:

TAK-750: Recommended professional model, consisting of: 1 each Alurofile 1,100, 1,700, 2,700, 3,000 mm (43¼, 67, 106¼, 118 inch) long, with integrated jam system. 1 set = 2 units height adjustable roller units with wiers, with handling system for operating with loader.

1 air = 2 units ulling chains, incl. hooks each working width between 1,200 mm (47¼ inch) and 7,500 mm (295¼ inch) can be achieved.

TAK-350: Basic model, as described above, only with 2 Alu-Segments each 1,700 mm (67 inch) long, achieving each working width between 1,750 mm (69 inch) and 3,500 mm (137¼ inch).

Type	Dead Weight kg (lbs)	Height Adjustable Range mm (in)	Working Width mm (in)	Order-Number	Euro
TAK-350	200 (441)	0 – 250 (0.00 – 9.84)	1,750 – 3,500 (68.90 – 137.80)	51000018	5.410,-
TAK-750	285 (628)	0 – 250 (0.00 – 9.84)	1,200 – 7,500 (47.24 – 295.28)	51000013	9.650,-

Accessories:



TAK-DP

TAK-DP: With this adjustable intermediate part, roof and tub profiles of ± 3 % can be produced.

Type	Description	Dead Weight kg (lbs)	Length mm (in)	Order-Number	Euro
TAK-DP	Adjustable adapter	37.5 (82)	1,500 (59.06)	41000042	1.320,-



TAS-UNI-450

TAS-UNI Telescopic Screeding System

Universally suitable for precise and flexible screeding of laying courses on both, large and small sites. Comfortable upright working position.

Each side equipped with height adjustable roller units, including screeding rail cleaning wiper as well as material turn-away metal sheet.

The aluminium profile has been optimized. So the device does neither move upwards when pulled by hand nor when pulled with chains mechanically. In one run a clean and exact screed can be produced.

- The aluminium profile has been optimized. So the device does neither move upwards when pulled by hand nor when pulled with chains mechanically. In one run a clean and exact screed can be produced.
- The profile was increased in order to be able to move more material when the pre-distribution of the screeding material is very rough.
- Working width up to 6,000 mm (20 feet) by duplicating the profile.
- Special aluminium profiles, consisting of a low wear, high-tensile alloy are designed to be fully telescopic with one another, seamlessly. With integrated jam system to lock the telescopic parts in any desired position.
- All metall parts are galvanized.
- Proper height adjustment can be read from a scale (0 – 25 cm / 0 – 9¾ inch).
- For hand operation the TAS can be easily pulled by means of standard shovels while standing in comfortable upright position.

Scope of delivery:

TAS-UNI-450: recommended basic configuration: 1 Aluminium-Profile each of 750, 1,000, 1,750, 2,000 mm (29½, 39½, 68¾, 78¾ inch) long with integrated claming adjustment. 1 set = 2 side ositioned, height-adjustable roller units with metal stes and sheet-metal wiers with integrated fastener for the required segments with hook-in-system for shovel. 2 ulling chains, incl. hooks.

TAS-UNI-600: Standard configuration as above, lus 1 Alu-Profile 3,000 mm (118¼ inch) long.

Type	Dead Weight kg (lbs)	Height Adjustable Range mm (in)	Working Width mm (in)	Order-Number	Euro
TAS-UNI-450	85 (187)	0 – 250 (0.00 – 9.84)	750 – 4,500 (29.53 – 177.17)	51000100	2.410,–
TAS-UNI-600	110 (243)	0 – 250 (0.00 – 9.84)	750 – 6,000 (29.53 – 236.22)	51000101	3.080,–

Accessories:



TAS-UNI-DP

TAS-UNI-DP: With this adjustable adapter any roof or pan profile of +/- 4% can can be screeded.

Type	Description	Dead Weight kg (lbs)	Width mm (in)	Order-Number	Euro
TAS-UNI-DP	1 adjustable adapter for roof and pan profiles (+/- 4 %)	25 (55)	2,100 (82.68)	41000173	904,–



EP-UNI-230/300

EASYPLAN EP-UNI Handscreeding System

The EP-UNI is an optimal hand-tool for an economical performance of smaller and medium-sized sites. It's quicker, easier and better.

Flanged at the sides, optionally available height-adjustable roller units take the height off existing kerbs, pavers or similar. This is possible not only with the basic element but also with the telescopic elements. No further rail gauges are necessary, thus granting additional time-saving!

- Continuously adjustable telescopic elements.
- With only one system you can screed different working widths easily and exactly. EP-UNI is adjustable to the required working width between.
- With two telescopic elements the basic Alu-profile can be enlarged.
- Including special key for fast mounting of the telescopic elements and the roller units.
- No flexing with the strong Alu-profile, even at working-widths up to maximum 3 m!
- Due to special design, the profile does not leave the screeding rail even when working with large quantities of screeding material.
- The handle of EP 230/300 is adjustable to the required angle-positioning.
- The special design of the handle enables the operator to use their bodyweight to exert pulling force in every position of the EP-profile.
- With the EP 90/230 the screeding material can be carried and filled exactly into the gaps left by the screeding rails, for example water-pipes.
- Handle removable for transport.

Scope of delivery:

EP-UNI-Set 90/230: 1 Alu-Profile each 900 mm and 1,600 mm, 1 handle, 1 air of telescopic elements, 350 mm each.

EP-UNI-Set 230/300: 1 Alu-Profile 2,300 mm, 1 three-dimensional handle, 2 telescopic units each 350 mm

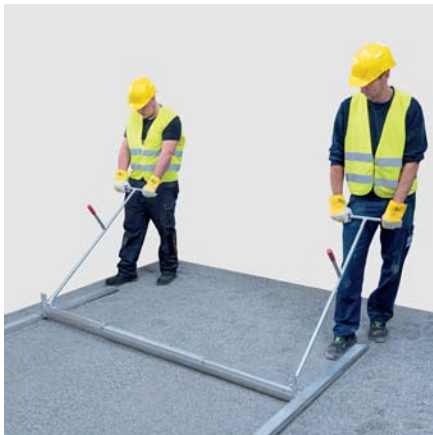
Type	Dead Weight kg (lbs)	Working Width mm (in)	Order-Number	Euro
EP-UNI-Set 90/230	16 (35)	900 – 2,300 (35.43 – 90.55)	51000040	585,-
EP-UNI-Set 230/300	15 (33)	2,300 – 3,000 (90.55 – 118.11)	51000041	585,-

Accessories:

Type	Description	Dead Weight kg (lbs)	Height Adjustable Range mm (in)	Order-Number	Euro
EP-UNI-RS	(can be added later)	4.8 (11)	35 – 255 (1.38 – 10.04)	41000165	280,-

Spare Parts:

Type	Description	Dead Weight kg (lbs)	Length mm (in)	Order-Number	Euro
1 Set of Telescopic Units	for EP-UNI 2 x 350 mm (13½")	3 (6.61)	350 (13.78)	41000164	121,-



TP-150/260 with HG-ERGO-DUO



TP-150/260 with HG-ERGO-SOLO

TELEPLAN TP Handscreeding System

The TELEPLAN TP aluminium profile is sickle shaped. As a result the profile cuts itself into the bedding material and does not move upwards! No need for executing any force to push it down when pulling. Especially when screeding compacted sand, also in case of the screed bar cannot be moved sideways sawing off the bedding material due to lateral obstacles or boundaries, the advantages of the TP profile are enormous with regard to effort of energy, working speed and high-quality performance of the laying course. Two (2) TP profiles can be connected together in order to be telescopically adjusted in a simple and sturdy way. Thus one and the same tool can be used for various working widths.

Two fixed clamping units to connect both profiles, clamping units can not get lost.

With height adjustable height stop on both sides, range of adjustment 0 – 127 mm (0 – 5 inch). Can be taken off quickly if required.

- Intergrated fitting for additional pulling handles TP-HG included in the side parts and HG-ERGO-DUO.
- One level indicator incorporated inside the TP profile.
- The light-weight aluminium hollow profile is extremely sturdy (low weight: only 1.3 kg / 3 lbs per metre).
- Long Lifespan.

Type	Dead Weight kg (lbs)	Height Adjustable Range mm (in)	Working Width mm (in)	Order-Number	Euro
TP-60/100	3.5 (7.72)	0 – 127 (0.00 – 5.00)	600 – 1,000 (23.62 – 39.37)	51010006	267,-
TP-100/165	4.6 (10)	0 – 127 (0.00 – 5.00)	1,000 – 1,650 (39.37 – 64.96)	51010001	277,-
TP-150/260	6 (13)	0 – 127 (0.00 – 5.00)	1,500 – 2,600 (59.06 – 102.36)	51010002	303,-
TP-200/350	7.3 (16)	0 – 127 (0.00 – 5.00)	2,000 – 3,500 (78.74 – 137.80)	51010003	313,-

Accessories:



HG-ERGO-SOLO



HG-ERGO-DUO



TP/FP-RS

HG-ERGO-DUO: Handles for TELEPLAN and FIXPLAN, which have been further developed according to ergonomic aspects. Set consisting of 2 pieces, allow fatigue-free working in standing body position, can be attached to the side parts at any time via a plug-in fastener.

HG-ERGO-SOLO: Handle for TELEPLAN and FIXPLAN, which has been further developed according to ergonomic aspects. 1 piece incl. handle holder, enables fatigue-free working in a standing body position.

TP/FP-RS: Set of Roller Units for TELEPLAN/FIXPLAN (can be added later)

3

Type	Dead Weight kg (lbs)	Order-Number	Euro
HG-ERGO-DUO	4.3 (9.48)	41010072	97,50
HG-ERGO-SOLO	3 (6.61)	41010074	78,-
TP/FP-RS	1.2 (2.65)	41010080	86,50



MINIPLAN MP Sliding Finisher

This lightweight, handy and smart tool allows effective finishing work on screeded areas. Especially suitable to clean up screed rail marks.

But also larger areas can be screeded very quickly with the MP-70, for example around gullies with different levels. Depending on the angle, the operator can decide to let the tool: dig in, to move more material or to float to do only final finishing work.

MP-70: Aluminium hollow profile, very lightweight.

Robust, lightweight hardwood handle (MP-70).

Sturdy holder for handle fixed to the profile.

MP-30: with lightweight, short aluminium handle.

■ Low dead weight, as made of aluminium.

MP-70 with attached height adjustment HV-MP and MP-30.

Type	Dead Weight kg (lbs)	Working Width mm (in)	Order-Number	Euro
MP-30	0.8 (1.76)	300 (11.81)	51010012	54,-
MP-70	1.7 (3.75)	700 (27.56)	51010004	77,-

Accessories:

Type	Description	Dead Weight kg (lbs)	Height Adjustable Range mm (in)	Order-Number	Euro
HV-MP	Height adjustment, no problem to fit to your existing MP-70 later.	0.36 (0.79)	45 – 170 (1.77 – 6.69)	41010039	49,50



LEVELHANDY LH Hand Screeding Tool

Simple screeding tool to achieve a clean connection to already laid pavers or kerbs.

Simply place the LH on the existing screed level.

Set the height adjustable support via tightening a wing nut to the right height towards the kerb or existing pavement.

The screeded area now can be adjusted easily and precisely using this practical tool.



LH

Type	Dead Weight kg (lbs)	Height Adjustable Range mm (in)	Working Width mm (in)	Order-Number	Euro
LH	1.9 (4.19)	0 – 250 (0.00 – 9.84)	300 (11.81)	51000088	55,-



LF-75/125



LF-125/215. bottom left: Wheel height adjustment

LEVELFIX LF Manual Screeding System

The universal manual screeding system – move a large amount of material easily in a short time, on large wheels.

The LF system is an efficient tool for landscape contractors who are looking for a tool for spreading and also screeding bedding material for paved areas quickly, flexibly and precisely, while maintaining ergonomically sound posture.

Suitable for gardener for preparation of planting beds, lawn areas and similar. Also suitable for levelling wood chip or gravel paths.

Level surfaces can be created in a very short space of time and the process, which uses plastic wheels with flat rubber tread, which leave hardly any traces in the surface.

- On both sides height adjustable wheels, with height indicator for adjusting the surface level to the kerb for instance. Adjustment range -40 / +170 mm (-1½ / +6¾ inch).
- Adjustable roof profile integrated as standard: LF-75/125: 7%, LF-125/215: 4%, LF-170/310: 2.5 %.
- Scraper sheets made from non-rusting stainless steel.
- Cutter with sharp edge on the lower scraper edges allows materials to be exoriated even where there is compacted sand.
- Lasting surface protection on all other components thanks to galvanic zinc plating.
- Handle adjustable for optimum ergonomics.
- Spirit level bubble fitted on the top right edge of the scraper sheet.
- Second handle LF-HG for wide working width for 2 people operation for LF-170/310 available as an option.

Scope of delivery:

LF-75/125: 1 air of stainless steel scraer sheets, 1 x central rolling unit, 1 x handle with holder, 2 x height-adjustable external roller sets.

LF-125/215: See LF-75/125, but 2 x roller units.

LF-170/310: See LF-75/125, but 2 x roller units.

Type	Dead Weight kg (lbs)	Height Adjustable Range mm (in)	Working Width mm (in)	Order-Number	Euro
LF-75/125	22 (49)	-40 / +170 (-1.57 / 6.69)	750 – 1,250 (29.53 – 49.21)	51000084	834,-
LF-125/215	32 (71)	-40 / +170 (-1.57 / 6.69)	1,250 – 2,150 (49.21 – 84.65)	51000085	1.200,-
LF-170/310	42 (93)	-40 / +170 (-1.57 / 6.69)	1,700 – 3,100 (66.93 – 122.05)	51000086	1.370,-

Accessories:



Roller support LF-R

LF-R: Roller support for LF. Adjustment range levelling height +60 mm to +270 mm. Can be added later.

Type	Description	Dead Weight kg (lbs)	Order-Number	Euro
LF-HG	Complete handle incl. bracket for LF-170/310	3 (6.61)	41000317	108,-
LF-R	Roller support for LF	0.7 (1.54)	41000367	123,-



AZL

AZL

Screeding Rails for Screeding Systems TAK and TAS-UNI

- Special aluminium profile (60 x 60 mm / 2½ x 2½ inch), achieving highest strength and low dead weight.
- Simple, strong, integrated plug system by 2 conical bolts, plugs cannot be lost!
- A cubical inclined plane of section gives inclined joints in each direction. Impossible to hook in with the wipers!

Scope of delivery:

- AZL-Set-20:** 6 x 3 m, 2 x 1 m (6 x 118¼ in, 2 x 39½ in)
- AZL-Set-24:** 6 x 3 m, 2 x 2 m, 2 x 1 m (6 x 118¼ in, 2 x 78¾ in, 2 x 39½ in)
- AZL-Set-60:** 12 x 4 m, 4 x 2 m, 4 x 1 m (12 x 157½ in, 4 x 78¾ in, 4 x 39½ in)
- AZL-1:** 1 piece, 1 m (39½ in) long
- AZL-2:** 1 piece, 2 m (78¾ in) long
- AZL-3:** 1 piece, 3 m (118¼ in) long
- AZL-4:** 1 piece, 4 m (157½ in) long

Type	Description	Dead Weight kg (lbs)	Length mm (in)	Order-Number	Euro
AZL-Set-20	Screeding Rails Set	40 (88)	20,000 (787.40)	51000039	856,-
AZL-Set-24	Screeding Rails Set	48 (106)	24,000 (944.88)	51000014	989,-
AZL-Set-60	Screeding Rails Set	120 (265)	60,000 (2,362.21)	51000015	2.550,-
AZL-1	Screeding Rails	2 (4.41)	1,000 (39.37)	51000017	60,50
AZL-2	Screeding Rails	4 (8.82)	2,000 (78.74)	51000020	122,-
AZL-3	Screeding Rails	6 (13)	3,000 (118.11)	51000016	144,-
AZL-4	Screeding Rails	8 (18)	4,000 (157.48)	51000019	181,-



AZL-EP

AZL-EP

Screeding Rail Kit for Handscreeding Systems

For EASYPLAN EP-UNI, TELEPLAN-TP and FIXPLAN FP.

Through integrated plug-in connections it is very easy to join these lightweight screeding rails together. A cubical inclined plane of section gives inclined joints in each direction. Impossible to hook in with the wipers.

- Non-corroding due to use of galvanized steel pipes (Diameter 26,9 mm / 1 in).
- Simple, robust, integrated plug system. Nondetachable!

Scope of delivery:

AZL-EP Set: consisting of: 2 x 1,5 m (59 in), 4 x 2,5 m (98½ in), 4 x 3 m (118¼ in).

Type	Dead Weight kg (lbs)	Length mm (in)	Order-Number	Euro
AZL-EP Set	41 (90)	25,000 (984.25)	51000057	389,-





SAH Paver Lifter

To lift out uncompacted pavers quick and easy, for example when marker pavers in different colour should be laid in.

- Durable surface protection by galvanizing

SAH

Type	Description	Dead Weight kg (lbs)	Gripping Range mm (in)	Order-Number	Euro
SAH	Paver Lifter	4.9 (11)	90 – 400 (3.54 – 15.75)	51800050	106,–



SZ Paving Block Extractor

An essential tool for any contractor who lays paving blocks or carries out repairs to paved surfaces. Adjustable to fit any size and shape of paver.

With Locking Device!

The operator does not need to continually squeeze the SZ-handles together!

The spring steel blades can be driven into the joints of existing pavements without problems by the combination hammer.

- The gripping width can be adjusted without tools.
- Easily exchangeable, high quality profiled spring steel blades.
- Durable surface protection by galvanizing



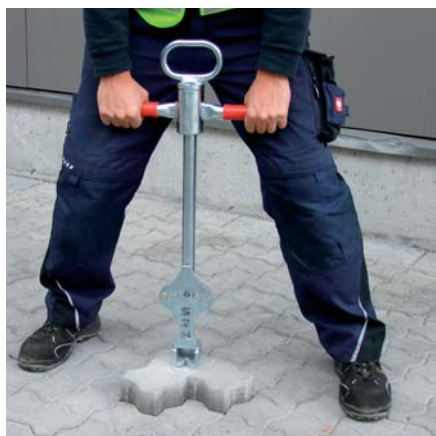
SZ

Type	Description	Dead Weight kg (lbs)	Gripping Range mm (in)	Order-Number	Euro
SZ	Paving Block Extractor	4.4 (9.70)	90 – 330 (3.54 – 12.99)	51800030	113,–

Spare Parts:

Type	Description	Dead Weight kg (lbs)	Order-Number	Euro
Spare blade long	(65 mm / 2½ inch) 2 pieces in blister pack for SZ, SAH, PZ	0.09 (0.20)	41800243	27,–
Spare blade short	(55 mm / 2¼ inch) 2 pieces in blister pack for SZ, SAH, PZ	0.08 (0.18)	41800242	25,–

01725 Technical adjustments and changes to the colour scheme are reserved. Illustrations are exemplary and non-binding. No liability accepted for any misprints, mistakes and errors. Prices are ex works. * Details in the General Sales Conditions at the end of the catalog or at www.probst-handling.com/en/gtc



SZH



SZH

SZH Block Extractor Hammer

The SZH SZH block extractor hammer can be used to remove stones that have already been laid without damaging neighbouring stones.

Particularly with very high-quality paving blocks and slabs, it can happen after vibration that individual blocks with minor damage have to be replaced.

If conventional block extractors are used, with blades that grip into the joint, damage to the neighbouring blocks can occur.

- The defective block is drilled centrally with the battery-powered hammer drill. The concrete screw is screwed in with the battery screwdriver until the head still protrudes by approx. 10 – 15 mm (¼ – ½ inch).
- The SZH grips under the screw head.
- The impact weight is pulled upwards with two hands (see arrow in diagram). After a few strokes, the defective block can be removed.

- Durable surface protection by galvanizing.

Scope of delivery:

SZH: Includes 5 concrete screws with hexagonal head and compressed washer, 6 x 80/SW 13.

Type	Description	Dead Weight kg (lbs)	Order-Number	Euro
SZH	Block Extractor Hammer	8 (18)	51800094	230,-

Accessories:

Type	Description	Order-Number	Euro
Set of concrete screws	6 x 80/SW 13 (100 pieces)	41800239	141,-



PZ Slab Extractor

For extracting single slabs, it has a robust construction so that the blades can be hammered into the joints.

- With Locking Device. The operator does not need to continually squeeze the PZ-handles together!
- Adjustable without tools.
- Complete with easily exchangeable high-quality-special double spring-steel blades.
- Galvanised finish.

PZ

Type	Working Load Limit/WLL kg (lbs)	Dead Weight kg (lbs)	Gripping Range mm (in)	Order-Number	Euro
PZ	70 (154)	6 (13)	200 – 610 (7.87 – 24.02)	53200006	298,-

Spare Parts:

Type	Description	Dead Weight kg (lbs)	Order-Number	Euro
Spare blade long	(65 mm / 2½ inch) 2 pieces in blister pack for SZ, SAH, PZ	0.09 (0.20)	41800243	27,-
Spare blade short	(55 mm / 2¼ inch) 2 pieces in blister pack for SZ, SAH, PZ	0.08 (0.18)	41800242	25,-



RE Alignment Bar

For aligning the paving stones before they are permanently set.

- With two handles, a foot bar and a hammering surface to drive it into the paver joints using a hammer.
- With exchangeable, robust, sharp-edged hardened spring steel blade for driving into the hinge joints.
- Durable galvanized surfaces.

RE

Type	Weight kg (lbs)	Order-Number	Euro
RE	2.5 (5.51)	51800011	65,-

Spare Parts:

Type	Description	Dead Weight kg (lbs)	Order-Number	Euro
Spare blade for RE/MRE	(95 mm / 3¾ inch) 1 piece in blister pack	0.16 (0.35)	41800241	13,50





MRE

MRE Multiple Alignment Bar

The „Turbo Accelerator“ for alignment work: Instead of moving only one row of pavers, the MRE can move 4 or up to 5 rows at the same time.

- Especially suitable for alignment work on mainly rectangular shaped pavers.
- With 4 exchangeable, adjustable, sturdy, sharp edged hardened spring steel blades. With 2 handles and one hammering surface to drive it into the paver joints.
- Durable galvanized surfaces.

Type	Dead Weight kg (lbs)	Working Width mm (in)	Order-Number	Euro
MRE	6 (13)	650 (25.59)	51800045	181,-

Spare Parts:

Type	Description	Dead Weight kg (lbs)	Order-Number	Euro
Spare blade for RE/MRE	(95 mm / 3¾ inch) 1 piece in blister pack	0.16 (0.35)	41800241	13,50



GH-RE-TWIN

GH-RE-TWIN Rubber Hammer-Alignment Bar

The 2-in-1 tool for landscapers and road builders – for ergonomic striking and aligning stones.

One side is fitted with a rectangular rubber element with a slightly bevelled profile so that the rubber profile meets the stone flat. A wide support with a levelling blade is attached to the second side to align the interlocking blocks that have not yet been vibrated.

- The long wooden handle enables an ergonomic, upright posture.
- Highly cushioned rubber head for optimum power transmission and reduced kickback to protect the joints.
- With replaceable, robust, sharp-edged spreader blade made of hardened spring steel for levelling interlocking blocks.
- Wide support for driving in the levelling blade.
- Plastic impact disc for tapping on the head side enables height corrections of individual paving stones or slabs that are too high. The GH-RE-TWIN can also be placed on this disc in an upright position.



Type	Dead Weight kg (lbs)	Length mm (in)	Order-Number	Euro
GH-RE-TWIN	3.3 (7.28)	1,000 (39.37)	51800166	105,-



GH-ERGO

GH-ERGO Rubber Hammer

Now with extra long handle for ergonomic working.

The GH-ERGO is equipped with two different rubber elements. One side is equipped with a rectangular, slightly bevelled profile. This way the rubber profile hits the stone flat without the user having to stand too close to the edge of the stone layer. On the second side, the profile is tapered, this enables an accurate strike, e.g. into the grooves of H-stones.

- The extension of the hammer handle from the previous 800 mm to 1000 mm (31½ to 39½ inch) enables an ergonomically upright posture and thus fatigue-free working.
- By using special butyl rubber elements, wrists and elbows are now also protected. The unpleasant springing back when striking is completely eliminated by the damping without reducing the striking power.
- A further helpful feature is the plastic protective disk. This allows height corrections of individual paving stones or slabs that are too high to be made by tapping them on the face without damaging the stone surfaces.

Type	Dead Weight kg (lbs)	Length mm (in)	Order-Number	Euro
GH-ERGO	2.9 (6.39)	1,000 (39.37)	51800113	78,-
GH-ERGO-K	2.5 (5.51)	400 (15.75)	51800114	78,-

Spare Parts:

Type	Description	Dead Weight kg (lbs)	Order-Number	Euro
Plastic disc	Protective disk for stone (for GH-ERGO)		33250280	14,50
Rubber cover	for GH-ERGO (2 x bevelled), per piece		36330327	33,-
Rubber cover	for GH-ERGO (1 x bevelled), per piece		36330328	23,50
Rubber cover	for version GH/GH-K (Order-No. 51800012/51800051), per piece	0.4 (0.88)	41800006	20,50



PX

POUNDER PX Soil Compactor

Ideal for quickly compacting smaller surfaces.

To make the work more comfortable, our joint-friendly plastic handles are attached to an extra wide crossbar. Thanks to its simple design and optimised weight for everyday work, the Pounder PX is a useful and flexible tool on construction sites and in landscaping.

- Ideal for compacting and smoothing concrete, soil, sand and gravel.
- Indispensable in gardening and landscaping where a vibratory plate cannot be used.
- Base plate 19 x 19 cm (7.48 x 7.48 inch).
- Handle height 86 cm (33.85 inch).
- Comfortable plastic handles.
- Durable surface protection due to galvanisation.



Type	Dead Weight kg (lbs)	Dimensions L x W x H mm (in)	Order-Number	Euro
PX	8.9 (20)	866 x 408 x 190 (34.09 x 16.06 x 7.48)	51800165	53,-



KNEESEAT KS

Positions the hip and ankle at a proper angle providing support and comfort to the back, shoulders and neck.

- Ergonomic knee protection & ankle support.
- Back relief while kneeling or sitting.
- Extra thick, galvanised steel tubes for additional stability.
- Complies with DIN EN 14404:2010-05 Type 4 / Level 0.

KS

Type	Working Load Limit/WLL kg (lbs)	Dead Weight kg (lbs)	Order-Number	Euro
KS	120 (265)	1.8 (3.97)	51800135	89,50



PPH Professional-Slab Handle

For laying concrete and natural stone slabs.

- Large adjustable range for all slabs.
- With large leverage. Very stable professional design.
- Exchangeable grippers.
- Durable surface protection by galvanizing.

PPH-S-10/62: comes as a set with a basic unit and 3 sets of grippers.

1. PPH-10/37, 2. PPH-22/50, 3. PPH-33/62

Type	Working Load Limit/WLL kg (lbs)	Dead Weight kg (lbs)	Gripping Range mm (in)	Length of Gripper mm (in)	Inside Height mm (in)	Order-Number	Euro
PPH-10/37	60 (132)	1.5 (3.31)	100 – 370 (3.94 – 14.57)	100 (3.94)	30 (1.18)	53200053	52,50
PPH-22/50	60 (132)	1.5 (3.31)	220 – 505 (8.66 – 19.88)	100 (3.94)	30 (1.18)	53200052	52,50
PPH-33/62	60 (132)	1.7 (3.75)	330 – 620 (12.99 – 24.41)	100 (3.94)	30 (1.18)	53200054	52,50
PPH-S-10/62	60 (132)	3 (6.61)	100 – 620 (3.94 – 24.41)	100 (3.94)	30 (1.18)	53200055	95,50

Accessories:



PPH-ERGO-HG with
PPH-22/50



PPH with AA

PPH-2-HG: 2-man carrying handle for all PPH models. With one wing nut, the handle can be turned through 90° as required.

PPH-AA: Support adapter for retrofit at any time PPH-AA, allows for quick and more accurate fit in. (1 unit required per PPH).

PPH-ERGO-HG: Ergonomically long handle for retrofitting to all PPH slab handles, which can also be used in a standing position without strain on the back. With automatic change-over function, i.e. PPH can be lifted off again without the plate being lifted again.

Type	Dead Weight kg (lbs)	Length mm (in)	Order-Number	Euro
PPH-2-HG	2.4 (5.29)		43200085	116,-
PPH-AA	0.15 (0.33)		43200079	17,50
PPH-ERGO-HG	1.5 (3.31)	670 (26.38)	43200124	70,50



Top: PB-I, bottom left: PB-15/24, bottom right: PB-15/24-L

PAVERBOY PB Laying Device

For the efficient laying of paving blocks directly from the stack. Particularly suitable for large blocks.

■ Durable surface protection by galvanizing.

PB-I: Two double-T-stones can be picked up and then layed at the same time.

PB-15/24: Hexagonal slabs and similar blocks which cannot be lifted with one hand, can be laid.

PB-15/24-L: With long handles for effortless installation of various types of stones, such as double-T-bricks or large-size paving stones.

Core benefit: At mechanical installation often times single paving stones have to be laid into the gaps to complete the stone bonds. This succeeds easily with the PB-15/24-L in upright body position without bending down.

Type	Working Load Limit/WLL kg (lbs)	Dead Weight kg (lbs)	Gripping Range mm (in)	Order-Number	Euro
PB-I	10 (22)	1.3 (2.87)	100 – 170 (3.94 – 6.69)	51800001	51,50
PB-15/24	10 (22)	1.3 (2.87)	150 – 240 (5.91 – 9.45)	51800004	51,50
PB-15/24-L	10 (22)	2.35 (5.18)	150 – 240 (5.91 – 9.45)	51800115	175,-



RVH

RVH Turf Stone Handles

Used in pairs and designed specially for laying turf stones.

Installs 1 to 5 units at once.

■ Durable surface protection by galvanizing.

Type	Description	Weight kg (lbs)	Order-Number	Euro
RVH	1 pair	5.9 (13)	51800021	144,-



4

BLOCK CARRIER BC

Securely grip, align and position heavy bricks.

Precisely positioning heavy bricks is a challenge. The BLOCK CARRIER BC makes this work significantly easier and more efficient. The well-thought-out mechanism enables secure gripping, precise alignment and effortless setting of the bricks – ideal for professional use.

The **BC-S**, with a gripping range of 180–360 mm, is suitable for smaller stones, while the **BC-M**, with a gripping range of 280–530 mm, is designed for larger elements. Both models can carry up to 60 kg. The width adjustment is done in seconds, while the fine adjustment allows for millimeter-precise alterations. The adjustment is done without tools using a folding split pin.

The **3-point support** ensures a secure hold: disc springs enable internal gripping, while on the opposite side, straight **edge blades** help to place the stones precisely next to each other.

The long, non-slip handle lies comfortably within the hand, and the self-reinforcement automatically secures the material when it is lifted.

Thanks to the **galvanized surface**, the Block Carrier is permanently protected against rust. A long-lasting solution for efficient and effortless work on the construction site.

- Two models: BC-S (180–360 mm) for smaller and BC-M (280–530 mm) for larger bricks.
- High load capacity of up to 60 kg for safe and effortless work.
- Quick large and fine adjustment for millimeter-precise alteration.
- 3-point support with disc springs and straight edge blades for a firm hold and precise placement.
- Ergonomic, non-slip handle for comfortable handling.
- Self-reinforcement ensures a secure hold of the stone when lifting.
- Galvanized surface for reliable rust protection and a long service life.



BC-S



BC-M

Type	Working Load Limit/WLL kg (lbs)	Dead Weight kg (lbs)	Gripping Range mm (in)	Order-Number	Euro
BC-S	60 (132)	2.74 (6.04)	180 – 360 (7.09 – 14.17)	51800167	51,50
BC-M	60 (132)	3.24 (7.14)	280 – 530 (11.02 – 20.87)	51800168	53,50



KKT

KKT Brick Handles

- For the efficient transportation of bricks from the pallet to the laying surface. Adjustable.
- Durable surface protection by galvanizing.



Type	Working Load Limit/WLL kg (lbs)	Dead Weight kg (lbs)	Gripping Range mm (in)	Order-Number	Euro
KKT	50 (110)	1.8 (3.97)	400 – 670 (15.75 – 26.38)	51800025	64,–



ENZ

ENZ Pin Extractor

Simple but very efficient tool to pull out string line pins used on construction sites.

- The previous time consuming and often injury causing method, to pull out pins just by hand or using pliers, hammer and such are gone now.
- With the ENZ, the pins are not bent when pulled out.
- When lifted up, the V shaped clamping system locks to the pin. Now pulling and turning movements to loosen the pin can be exerted without any real physical effort.
- Durable surface protection by galvanizing.
- Hardened gear segment.

Type	Description	Dead Weight kg (lbs)	Diameter outside mm (in)	Order-Number	Euro
ENZ	Pin Extractor	0.64 (1.41)	10 – 30 (0.39 – 1.18)	51800038	73,-



ENZ-PROTECT

ENZ-PROTECT Pin Extractor

Simple but very efficient tool to pull out string line pins with electric shock protection cap used on construction sites.

- The previous time consuming and often injury causing method, to pull out pins just by hand or using pliers, hammer and such are gone now.
- Without using the ENZ, pins often get bent.
- When lifted up, the V shaped clamping system locks to the pin. Now pulling and turning movements to loosen the pin can be exerted without any real physical effort.
- Durable surface protection by galvanizing.
- Hardened gear segment.
- Lateral insertion of the ENZ-PROTECT on ground nails with plastic protective cap.
- Plastic handle reduces risk of electric shock in case of accidental damage to underground cables.

Type	Dead Weight kg (lbs)	Diameter outside mm (in)	Order-Number	Euro
ENZ-PROTECT	1.0 (2.20)	10 – 35 (0.39 – 1.38)	51800162	80,50





RSH

RSH Plumb Line Fixture

The plumb line fixture RSH allows for precise guidance of the plumb line in vertical and horizontal direction in combination with a pin extractor.

- Enormous time-savings for preparation of straight lines and right angles.
- Accurate alignment of the plumb line providing simple readjustment if required.
- The plumb line can be tightened precisely such as on rocky grounds or with pipe lines as the pin extractor can be moved.
- Durable surface protection by galvanizing.

Scope of delivery:

RSH: 1 clamping joint, 2 wing nuts and 1 cross rod with a length of 500 mm

Type	Dead Weight kg (lbs)	Diameter outside mm (in)	Order-Number	Euro
RSH	0.8 (1.76)	5 – 20 (0.20 – 0.79)	51800081	20,50



SA

STRING ALONG SA Plumb Line Fixture

The brilliantly simple and flexible line holder for all setup work performed with a plumb line.

The STRING ALONG SA is simply slipped over the pin and fixed to the peg at the desired height with the wing screw. Now the line can be looped around the line holder at any time and attaches itself to the teeth in the two grooves of the SA.

If necessary, the cord can be removed at any time without losing the height adjustment.

- Generally the SA can be used for all kind of layouts where string lines are used, especially beneficial if the string line has to be taken away temporarily and repositioned afterwards at the same position.
- Gripping teeth hold the string line safely under tension at any time.
- No more string line knots, or confusing marks on the pins.

Scope of delivery:

SA: 6 Pieces in bag, 100m String Line

Type	Description	Dead Weight kg (lbs)	Diameter inside mm (in)	Order-Number	Euro
SA	Suitable for pin diameters max. 25 mm (1 inch)	0.24 (0.53)	25 (0.98)	51800062	31,-





STRINGTIGHT SB Plumb Line Fixture

The innovative new STRINGTIGHT SB for the horticulture, landscaping, building and construction industry.

Straight and square edges are required when installing paving stones, kerbs, slabs and bricks. Conventional plumb lines often catch against the stone thus not giving an accurate straight line reading. The STRINGTIGHT SB provides a clearance of approx. 5 mm (1/4 inch) between stone and string line – giving great results every time!

- The practical tool for paver laying and masonry work.
- Made of robust steel, powder coated.
- Adjustable distance of the string line
- laterally and vertically.
- With string line take-up and functional slot to place a level on.

Scope of delivery:

SB: The kit contains 2 metal brackets, 1 roll of Nylon line: thickness 1,4 mm (1/4 inch) with a length of 100 m (3937 inch). Comes in a decorative promotional display rack each with 12 kits.

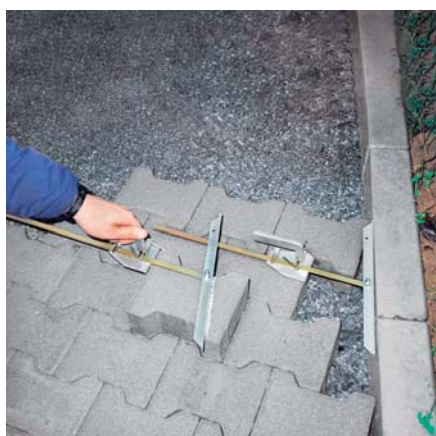


top: for walls, bottom: for pavers, slabs and kerb stones

Type	Description	Dead Weight kg (lbs)	Dimensions L x W mm (in)	Order-Number	Euro
SB	STRINGTIGHT (12 pcs) promotion display	8.3 (18)	120 x 120 (4.72 x 4.72)	51800072	507,-

Spare Parts:

Type	Description	Order-Number	Euro
Spare line	1 roll of Nylon line: thickness 1,4 mm (1/4 inch) with a length of 100 m (3937 inch)	25400012	8,30



MAL Measuring and Marking Tool

An essential tool for marking out paving stones and slabs to be cut.

- Easy and quick transfer of angle and distance of the cutting edge.



MAL

Type	Dead Weight kg (lbs)	Order-Number	Euro
MAL	0.58 (1.28)	51800026	69,-



PM

PAVERMARKER PM Marker Pen

The smart marker for horticulture and landscaping, par excellence.

- Marks nearly all concrete products with a constant line thickness, pavers can then be cut to fit perfectly.
- Suitable for dry and wet surfaces, leaves no permanent marks, weathers itself after a short while.
- Unbreakable, crayon is reinforced with embedded glass fibers.
- Wear-resistant, one PM marks thousands of paving stones.

Scope of delivery:

PM: 5 pieces in white in bag.

Type	Dead Weight kg (lbs)	Dimensions L x W x H mm (in)	Order-Number	Euro
PM	0.1 (0.22)	120 x 30 x 2 (4.72 x 1.18 x 0.08)	51800069	16,50



QD

QUICKDRAW QD Marking Tool

A clever paver-marking tool for concrete and paving stones.

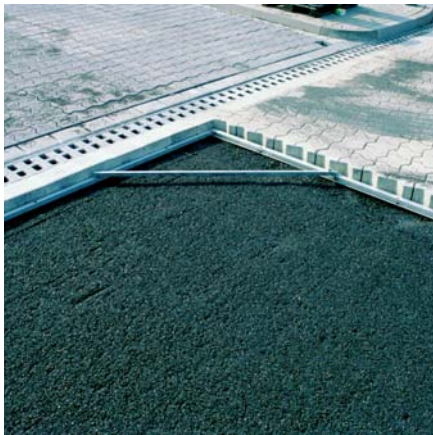
- No problems with the marking of distances of kerbstones, walls, etc. for later stone cutting.
- Time saving with marking works.
- Especially effective with soldier course.
- Tough construction made of aluminium and stainless steel.
- Roller guide for quick and accurate marking.

Scope of delivery:

QD: Set incl. wax crayon and felt crayon.



Type	Dead Weight kg (lbs)	Order-Number	Euro
QD	2 (4.41)	51800034	226,-



AW-200 Aluminium Angle

For precise alignment of interlocking paving stones.

Adjustable to 45°, 60° and 90°.
Foldable.

AW-200

Type	Dead Weight kg (lbs)	Dimensions L x W mm (in)	Order-Number	Euro
AW-200	6 (13)	2,000 x 2,000 (78.74 x 78.74)	51800018	197,-



AW Aluminium Angle

For precise alignment of interlocking paving stones.

Operating angles: 45° and 90°.
Foldable.

AW-60



Type	Dead Weight kg (lbs)	Dimensions L x W mm (in)	Order-Number	Euro
AW-60	0.72 (1.59)	600 x 800 (23.62 x 31.50)	51800052	39,50
AW-120	1.7 (3.75)	1,200 x 1,200 (47.24 x 47.24)	51800085	53,50



4



FMK

FLEXMARKER-KIT FMK Marking Tool

The FLEXMARKER-KIT FMK is a complete system to shape and mark tailor-made curves. Creating dynamically shaped paths without visual interruptions.

Work mode 1: For paths and bed edges, the so called one-liner, are laid in dry concrete. For that purpose the FLEXMARKER-KIT FMK can be fixed at the pins with the clamps. It doesn't only show the curve, it also shows the vertical profile.

Work mode 2: The interconnecting fiberglass rods can be securely fixed on the existing pavement with the fixing claws. The curve can be marked by spray paint or chalk (e.g. PAVERMARKER PM of Probst). Weighted by paving stones, the claws are immovably fixed.

- Harmonious curves can be prepared quickly and with enormous time savings.
- Smallest bending radius 15 cm (6 inch).

Scope of delivery:

FMK: Set consisting of 10 fiberglass rods, 5 fixing claws and 10 clamps.



FMK



Type	Dead Weight kg (lbs)	Order-Number	Euro
FMK	3.1 (6.83)	51800074	170,-



SF



SF

SAFEFLEX SF Cutting Aid

The innovative clamping fixture for cutting stone safely.

The risk of cuts can be reduced considerably with the SAFEFLEX SF. It can secure building materials such as cobblestones and natural flagstones quickly and safely. This makes cutting with the angle grinder easier, safer and more precise.

To secure the building material, the user pushes on the top clamping element with one foot. When the user takes their foot off the non-slip tread, springs push the clamping elements apart again and the building material can be removed.

- Elevation of the material being cut, so cutting wheel does not go into the ground.
- Non-slip mat to prevent stones from sliding sideways.
- Fast and simple adjustment of stone thickness in using 2 lateral locking bars.
- Individually adjustable height of the SAFEFLEX with 4 screws that can be turned in on the bottom.
- Suitable for right and left-handed use.
- Fast fixation without additional tools.
- Saves material since smaller "offcuts" can be safely secured, even with a small supporting surface.
- Easy to transport since the SAFEFLEX is much smaller than a wet cutting bench for example.
- Durable surface protection by galvanizing.

Type	Dead Weight kg (lbs)	Clamping Range mm (in)	Height Adjustable Range mm (in)	Order-Number	Euro
SF	7.1 (16)	30 – 160 (1.18 – 6.30)	10 (0.39)	51210001	228,-



STS-33



STS-43

STONE SPLITTER STS

Slab and interlocking block cutter

Block cutters from Probst – more splitting force with reduced effort.

Snap blocks without great force: easy! With the perfect combination of lever and eccentric transmission and and triangular knife, huge splitting force with minimal operating force is generated with all mechanical block snappers.

Blocks can therefore be cut cleanly without dust, noise or wastewater.
No particulate emissions occur, which are harmful to health.

STS-33 / STS-43: Spring-mounted supporting table (both halves of the table tiltable) allows clean undercut for precise laying without uneven large gaps.

STS-33-F: With tilted, rigid supporting table, so that the block is cut at a constant angle.

STS-43-H / STS-65-H: Designs also suitable for concrete kerbstones or limestones.

STS-43-H / STS-65 / STS-65-H: Spring-mounted supporting table (one half of the table tiltable, one half rigid) allows clean undercut for precise laying without uneven large gaps.

- High rationalisation effect, as clean snapping of the blocks can often replace time-consuming and expensive cutting with masonry saws.
- Clean cuts with precisely guided, triangular, reversible blade.
- Better view of the cutting line.
- More splitting force with reduced effort.
- Size indicator in centimetre and inches as well as 45-degree angle on both support plates speed up the work enormously.
- Durable surface protection by galvanizing.

Type	Dead Weight kg (lbs)	Width Cutting Width mm (in)	Height Stone/Element mm (in)	Order-Number	Euro
STS-33	41 (90)	330 (12.99)	10 – 120 (0.39 – 4.72)	51200075	444,–
STS-33-F	41 (90)	330 (12.99)	10 – 120 (0.39 – 4.72)	51200076	444,–
STS-43	57 (126)	430 (16.93)	10 – 120 (0.39 – 4.72)	51200077	556,–
STS-43-H	66 (146)	430 (16.93)	10 – 300 (0.39 – 11.81)	51200078	694,–
STS-65	88 (194)	650 (25.59)	10 – 120 (0.39 – 4.72)	51200079	923,–
STS-65-H	98 (216)	650 (25.59)	10 – 400 (0.39 – 15.75)	51200080	1.250,–

Accessories:



RSA-25



RSA-25

RSA-25: The RSA converts each standard block cutter into a radial cutter within seconds.

Type	Description	Dead Weight kg (lbs)	Width mm (in)	Width Cutting Width mm (in)	Height Stone/Element mm (in)	Order-Number	Euro
RSA-25	Radial Cut Adapter	4.36 (9.61)	355 (13.98)	250 (9.84)	50 – 100 (1.97 – 3.94)	41200016	250,–



STS-43-EASY



Triangular blade

STONE SPLITTER STS-EASY Slab and interlocking block cutter

The new block cutters STS-EASY from Probst. More splitting force with reduced effort – with only one crank handle.

The required height of the stones can be set easily and quickly using a smoothly-operating handle. Snap blocks without great force: easy! With the perfect combination of lever and eccentric transmission and a triangular knife, huge splitting force with minimal operating force is generated with all mechanical block splitters. Blocks can therefore be cut cleanly without dust, noise or wastewater. No particulate emissions occur, which are harmful to health.

STS-33-EASY: Spring-mounted supporting table (both halves of the table tiltable) allows clean undercut for precise laying without uneven large gaps.

STS-33-F-EASY: With tilted, rigid supporting table, so that the block is cut at a constant angle.

STS-43-EASY: Spring-mounted supporting table (both halves of the table tiltable) allows clean undercut for precise laying without uneven large gaps.

STS-43-H-EASY: Designs also suitable for concrete kerbstones or limestones up to height 300 mm (11¾ inch). Spring-mounted supporting table (one half of the table tiltable, one half rigid) allows clean undercut for precise laying without uneven large gaps.

STS-65-EASY: Spring-mounted supporting table (one half of the table tiltable, one half rigid) allows clean undercut for precise laying without uneven large gaps.

- High rationalisation effect, as clean snapping of the blocks can often replace time-consuming and expensive cutting with masonry saws.
- Clean cuts with precisely guided, triangular, reversible blade.
- Better view of the cutting line.
- Crank on top, connected to spindle via chain and gear drive.
- More splitting force with reduced effort.
- Size indicator in centimetre and inches as well as 45-degree angle on both support plates speed up the work enormously.
- Durable surface protection by galvanizing.

Type	Dead Weight kg (lbs)	Width Cutting Width mm (in)	Height Stone/Element mm (in)	Order-Number	Euro
STS-33-EASY	48 (106)	330 (12.99)	10 – 120 (0.39 – 4.72)	51200082	673,-
STS-33-F-EASY	48 (106)	330 (12.99)	10 – 120 (0.39 – 4.72)	51200086	673,-
STS-43-EASY	61 (134)	430 (16.93)	10 – 120 (0.39 – 4.72)	51200083	779,-
STS-43-H-EASY	73 (161)	430 (16.93)	10 – 300 (0.39 – 11.81)	51200085	988,-
STS-65-EASY	98 (216)	650 (25.59)	10 – 120 (0.39 – 4.72)	51200084	1.120,-

Accessories:



RSA-25



RSA-25

RSA-25: The RSA converts each standard block cutter into a radial cutter within seconds.

Type	Description	Dead Weight kg (lbs)	Width mm (in)	Width Cutting Width mm (in)	Height Stone/Element mm (in)	Order-Number	Euro
RSA-25	Radial Cut Adapter	4.36 (9.61)	355 (13.98)	250 (9.84)	50 – 100 (1.97 – 3.94)	41200016	250,-



STONE SPLITTER STS-43-EH-23

Electro-hydraulic block splitter



STS-43-EH-23

Snap electrohydraulically at the touch of a button – entirely without dust, noise or wastewater. The environmentally friendly alternative to block sawing.

Splitting of stones at the push of a button. Rigidly mounted, split triangular reversible blade made of hardened metal, for e.g. granite stones, max. height difference 4 mm, minimum stone length 180 mm. Due to the inclined support tables a clean undercut is possible, for exact placement without large distances.

- Integrated rechargeable battery.
- High splitting force of 23 tonnes.
- Integrated scale for adjusting the cutting height via crank.
- Large wheels for easy manoeuvring on uneven terrain.
- Folding handle for easy moving by hand.
- Suspension eye for transport with a crane or lifting device.
- Battery monitor for checking the charge status.
- 4 handles for easy manoeuvring.
- One side of the support table can be altered for precise undercutting.



Type	Dead Weight kg (lbs)	Force Splitting Force daN (lbf)	Width Cutting Width mm (in)	Height Stone/Element mm (in)	Order-Number	Euro
STS-43-EH-23	170 (375)	23,000	430 (16.93)	10 – 220 (0.39 – 8.66)	51200081	4.890,-

Accessories:



RSA-25



LG-220 V/12V

RSA-25: The RSA converts each standard block cutter into a radial cutter within seconds.

Type	Description	Dead Weight kg (lbs)	Width mm (in)	Width Cutting Width mm (in)	Height Stone/Element mm (in)	Order-Number	Euro
LG-220 V/12V	Battery charging device w/overload protection and charging current limiting. Housing is water and dust-proof					24200152	110,-
RSA-25	Radial Cut Adapter	4.36 (9.61)	355 (13.98)	250 (9.84)	50 – 100 (1.97 – 3.94)	41200016	250,-

Vacuum Technology

Benefits:

Compared to mechanical grabs, vacuum technology provides substantial and numerous benefits in handling and installation of building materials.

1. Installation without joints.
2. No edge cracks and chipping.
3. Higher laying quality; easy removal and readjustment, such as a slab was placed too deep into the laying course.

Porosity:

Failsafe function of the vacuum devices is decisively influenced and determined by the porosity of the elements. It is easy to imagine: if the incoming air from micro pores exceeds the capacity a vacuum pump or blower is able to exhaust, proper negative pressure between suction plate and construction material cannot be built up.

These kind of products are not suitable to be lifted with vacuum devices. Unlike the surface characteristics and finish, porosity is not apparent or visible to the observer.

Appropriate Device	Vacuum Hand Laying Systems						Vacuum Lifting Devices				Vacuum Hose Lifters		
	VH	FXAH	VPH	XS-JET-80-GRABO	M-JET-250	SPEEDY VS *	SM	SH	QUICK-JET QJ	POWER-JET PJ	JUMBO-MOBIL JM	JUMBO-BV VARIO	TRANS-MOBIL TM
Vacuum Generation via Vacuum Pump	●	●	●				●	●					
Vacuum Generation via Vacuum Blower				●	●	●			●	●	●	●	●
Specification Material/Product:													
Very dense/not porous: - granite - marble - „WET CAST“ (molded wet concrete)													
Dense/up to slightly porous: - miscellaneous natural stones - specific sandstones - limestone - single layer concrete stones, highly compressed, manufactured with a high content of water/cement													
Moderate porous: - smaller concrete slabs w/facing produced on block making machines													
Highly porous: - larger concrete slabs w/facing produced on block making machines - aerated concrete blocks - exposed aggregate surfacesaking machines													

* Vacuum hand laying device can also be used on attachments via lifting eye.

Marginal conditions, test set-up might be necessary prior to final decision making.

Surface:

What really matters in practical application is not that much the surface finish but rather the porosity of the material.

1. Plane and smooth surfaces are optimal.
2. Slight, not sharp-edged unevenness up to 5 mm is usually not a problem.

3. Products with severe, not sharp-edged unevenness of approx. 8 to 10 mm (0.31 to 0.39 in) can be handled with specific vacuum devices and corresponding sealing systems.
4. Products with deep unevenness, such as exposed aggregate surfaces are easy to handle with vacuum

5. Sharp-edged products, with uneven and graded top up to approx. 3 mm (0.11 in) are, if at all, solely be handled with vacuum devices equipped with a vacuum blower.
6. Other surface characteristics on request.

In case of different load capacity specifications (lifting hose, suction plate, vacuum generator), the value of the vacuum component with the lowest load capacity always applies.



VH-1/25

VACUUM-HANDY VH-1/25 Vacuum Hand Laying Device

max. 50 kg/110 lbs

One-man operation for lightweight slabs and short transportation distance

To install non porous slabs. The vacuum suction force is produced by only pressing the device down onto the surface of the slab. Afterwards the slab can be lifted by hand. To release the slab, just a finger tip is necessary to open a simple valve.

Attention: Can only be used on non porous materials nearby the ground level.

- Accurate and quick installation with no gap in-between slabs.
- Ergonomically good working position for installation.
- Also previously layed slabs can be picked up again.
- Robust seal ring, can be exchanged within seconds without glueing.
- By purchasing of an additional two-man handle VH-2-HG the VH-1/25 can be used for two-men operation.
- The working load limit is then 50 kg (110 lbs).
- Durable surface protection by galvanizing.

Type	Working Load Limit/WLL kg (lbs)	Dead Weight kg (lbs)	Diameter outside mm (in)	Order-Number	Euro
VH-1/25	25/50 (55/110)	5 (11)	280 (11.02)	52600009	285,-

Accessories:



VH-1/25 with VH-2-HG

Type	Description	Dead Weight kg (lbs)	Order-Number	Euro
VH-2-HG	Two-man handle for VH-1/25	3 (6.61)	42600155	72,50

Spare Parts:

Type	Dead Weight kg (lbs)	Order-Number	Euro
Replacement seal for VH-1/25	0.28 (0.62)	42730008	103,-



max. 120 kg/265 lbs

FXAH-120-GRABO- GREENLINE Vacuum Hand Laying Device



FXAH-120-GRABO-GREENLINE

Designed for landscape contractors and tilers, for quick and ergonomic lifting, moving and laying of absorbent concrete slabs, natural stones, tiles and other absorbent building materials.

BATTERY-HANDY is placed on building materials, switched on, and then sucks onto the surface without any downward pressure. The vacuum is released again by pressing another switch. Attachment to optionally available handles or laying trolleys makes the laying of absorbent building materials even more ergonomic and allows larger slabs or up to 2 slabs to be laid at the same time.

- Considerably easier laying, as there is no need to grip on the side, especially for the last slab.
- Less risk of edge damage, as laying is more precise and with a better view.
- Light and handy.
- Ergonomic arrangement of the operating switches.
- Powered by a rechargeable 14.8 V lithium-ion battery (exchangeable battery concept).
- Battery life: approx. 1.5 to 2 h in continuous operation, in normal operation up to one day.
- Increased safety through battery status LED.

FXAH-120-GRABO-PRO-LIFTER-GREENLINE: With integrated pressure switch. As soon as the required pressure is reached, the pump switches off. When the vacuum drops, the pump switches on again. With digital manometer for displaying negative pressure or load capacity.

Scope of delivery:

FXAH-120-GRABO-GREENLINE: Vacuum hand laying device, Charger (multi-range voltage 110 V to 240 V, with interchangeable lug EU, US, UK, CN) 1 x lithium-ion battery, sare rubber seal and replacement filter. Supplied in lightweight soft case.

FXAH-120-GRABO-PRO-LIFTER-GREENLINE: Vacuum hand laying device, Charger (multi-range voltage 110 V to 240 V, with interchangeable lug EU, US, UK, CN) 1 x lithium-ion battery, carrying stra, sare rubber seal and replacement filter. Supplied in a high-quality, waterproof lastic case.



FXAH-120-GRABO-PRO-LIFTER-GREENLINE
with case

Type	Working Load Limit/ WLL kg (lbs)	Dead Weight kg (lbs)	Type of Drive electric/ Battery kW	Dimensions L x W mm (in)	Weight Total Weight kg (lbs)	Battery Capacity Ah	Order-Number	Euro
FXAH-120-GRABO- GREENLINE	120 (265)	1.5 (3.31)	0.0,016	300 x 180 (11.81 x 7.09)	2.5 (5.51)	2.2	58500016	280,-
FXAH-120-GRABO- PRO-LIFTER-GREEN- LINE	120 (265)	1.6 (3.53)	0.0,016	300 x 180 (11.81 x 7.09)	5.5 (12)	2.2	58500014	425,-

Accessories:



FXAH-120-DUO-Set



FXAH-SLS-70-41,1/17,5



FXAH-RXS-120-30/18



VPH-RS



FXAH-120 (2x) + VPH-RS +
FXAH-DUO-CB



FXAH-DUO-CB

FXAH-120-SOLO-Set

FXAH-120-DUO-Set: Hand carrying handle with adapter for two persons. For ergonomic moving and laying of building materials.

FXAH-120-SOLO-Set: Hand carrying handle with adapter for one person. For ergonomic moving and laying of building materials.

FXAH-DUO-CB: Carrying handle for 2 persons with CB crossbar and 2 adapters for FXAH-120. For ergonomic moving and laying of larger or up to two slabs/tiles. Release process via foot pedal cross strut. Adjustable working width from 200 mm to 800 mm.

FXAH-SLS-70-41,1/17,5: Suction plate for narrower surfaces.

VPH-RS: Lay slabs even more easily and conveniently on large wheels – quickly and efficiently. Easy attachment to VPH or FXAH-120-DUO-Set.

5

Type	Description	Working Load Limit/ WLL kg (lbs)	Dead Weight kg (lbs)	Working Load Limit/ WLL -600 mbar kg (lbs)	Electric Voltage / AC (50 Hz) V	Dimensions L x W mm (in)	Dimensions L x W x H mm (in)	Working Voltage V	Working Width mm (in)	Order-Number	Euro
FXAH-120-Battery-14,8V/2,2Ah	Lithium-ion battery for FXAH-120		0.260 (0.57)					14.8		24200144	90,–
FXAH-120-DUO	Hand carry handle for two people, without adapter for FXAH	120 (265)	7.3 (16)							48500044	116,–
FXAH-120-DUO-Set	Hand carry handle with adapter for two persons (also suitable for NEMO GRABO, GRABO Pro-Lifter 20 and GRABO HIGHFLOW)	120 (265)	10 (22)							48500054	235,–
FXAH-120-LG-110-240V/14,8V	Battery charger for FXAH-120 (with interchangeable plug EU, US, UK, CN)		0.1 (0.22)		110 – 240					24200159	35,–
FXAH-120-SOLO	Hand carry handle for one person, without adapter for FXAH.	120 (265)	1.6 (3.53)							48500045	78,–
FXAH-120-SOLO-Set	Hand carry handle with adapter for one person (also suitable for NEMO GRABO, GRABO Pro-Lifter 20 and GRABO HIGHFLOW)	120 (265)	4.2 (9.26)							48500055	192,–
FXAH-DUO-CB	Carrying handle FXAH-120-DUO with CB traverse and 2 adapters for FXAH-120	120 (265)	15 (33)						200 – 800 (7.87 – 31.50)	48500072	563,–
FXAH-SLS-70-41,1/17,5	Suction plate for narrower surfaces.		0.53 (1.17)	70 (154)		411 x 175 (16.18 x 6.89)				48500085	82,–
VPH-RS	Wheel Set	150 (331)	7.4 (16)				875 x 330 x 935 (34.45 x 12.99 x 36.81)			42710214	366,–

Spare Parts:

FXAH-RXS-120-30/18: Replacement seal for rough surfaces with a profile depth of up to 10 mm.

Type	Description	Dead Weight kg (lbs)	Dimensions L x W mm (in)	Order-Number	Euro
FXAH-120-ED	Replacement seal for FXAH-120			48500037	35,-
FXAH-120-Filter	for FXAH-120 (2 pieces)			48500038	6,-
FXAH-RXS-120-30/18	Replacement seal for rough surfaces with a profile depth of up to 10 mm.	0.15 (0.33)	293 x 175 (11.54 x 6.89)	48500084	46,50



GRABO-FLEX-130-SOLO-Set



GRABO-FLEX-130-DUO-Set

GRABO-FLEX-130-SOLO/DUO Hand carry handle for FLEX VLP 18 cordless vacuum lifter GRABO



5

Take full advantage of the power of the hand vacuum lifters.

With the SOLO and DUO carrying handles, you can utilise the full potential of the vacuum lifters. Work alone or in pairs in an upright position. They can be attached to the vacuum lifter in seconds. Switch on once, lift the panels and release the vacuum again using the integrated foot pedals.

- Laying in a body-friendly position.
- Slabs are gripped from above, not from the side: this protects the edges and enables precise laying.

Type	Description	Working Load Limit/WLL kg (lbs)	Dead Weight kg (lbs)	Order-Number	Euro
GRABO-FLEX-130-SOLO-Set	Hand carry handle with adapter for one person	130 (287)	4.4 (9.70)	48500087	240,-
GRABO-FLEX-130-DUO-Set	Hand carry handle with adapter for two persons	130 (287)	10.0 (22)	48500086	283,-

01725 Technical adjustments and changes to the colour scheme are reserved. Illustrations are exemplary and non-binding. No liability accepted for any misprints, mistakes and errors. Prices are ex works. * Details in the General Sales Conditions at the end of the catalog or at www.probst-handling.com/en/gtc



max. 150 kg/330 lbs

VACUUM-POWER- HANDY VPH-150-GREENLINE Vacuum Hand Laying Device



VPH-150-GREENLINE

Flexible and powerful hand operated laying device for dense products, such as granite or high quality concrete elements.

Special seal, consisting of 2 components for optimised sealing. Even when the suction plate is sitting on sharp edges for a long time, no permanent marks are left in the seal. Therefore no "foldable rests" are necessary to save guard the seal. Wheel Set VPH-RS can be retrofitted to any VPH device at any time. Thus dense slabs can be installed by just one person.

- Powered by rechargeable AGM-AKKU 12 V. Special energy saving automatic allows a full day of laying operation without the need of recharging. Battery charger not included.
- Handle for 2 men operation, handles are height and width adjustable to accommodate with different laying tasks.
- Vacuum pump unit with manometer and battery charging indicator.
- The seal can be exchanged without glue and any tool within 1 minute.
- Fitted as standard with chain compartment and load securing chain as well as lifting eye for hoist operation.
- Durable surface protection by galvanizing.



5

Scope of delivery:

VPH-150-GREENLINE: Including suction late with 150 kg (330 lbs) load caacity.

Type	Working Load Limit/WLL -500 mbar kg (lbs)	Dead Weight kg (lbs)	Type of Drive electric/ Battery kW	Dimensions oval, L x B mm (in)	Working Voltage V	Battery Capacity Ah	Order-Number	Euro
VPH-150-GREENLINE	150 (331)	16.5 (36)	0.02	440 x 250 (17.32 x 9.84)	12	7.2	52710008	1.840,-

Accessories:



VPH + VPH-RS



VPH-RS

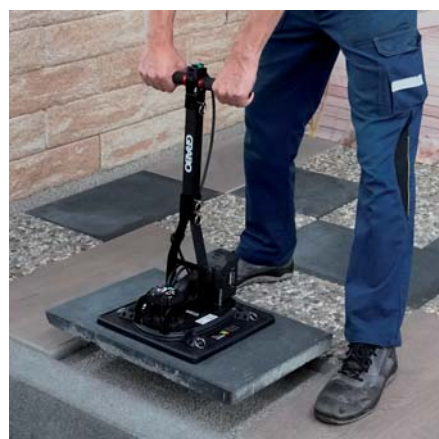
VPH-RS: Lay slabs even more easily and conveniently on large wheels – quickly and efficiently. Easy attachment to VPH or FXAH-120-DUO-Set.

Type	Description	Working Load Limit/WLL kg (lbs)	Dead Weight kg (lbs)	Dimensions L x W x H mm (in)	Working Load Limit/WLL -500 mbar kg (lbs)	Electric Voltage / AC (50 Hz) V	Dimensions L x W mm (in)	Dimensions oval, L x B mm (in)	Working Voltage V	Order-Number	Euro
AGM-AKKU-12V/7,2Ah	Spare storage battery for VPH		2.3 (5.07)						12	24200007	109,-
VPH-LG-220V/12V	Battery charger for VPH		0.2 (0.44)			230				24200004	66,-
VPH-RS	Wheel Set	150 (331)	7.4 (16)	875 x 330 x 935 (34.45 x 12.99 x 36.81)						42710214	366,-
VPH-SPS-HP-100-26/21	Suction Plate		3 (6.61)		100 (220)		260 x 210 (10.24 x 8.27)			42700109	415,-

Type	Description	Working Load Limit/WLL kg (lbs)	Dead Weight kg (lbs)	Dimensions L x W x H mm (in)	Working Load Limit/WLL -500 mbar kg (lbs)	Electric Voltage / AC (50 Hz) V	Dimensions L x W mm (in)	Dimensions oval, L x B mm (in)	Working Voltage V	Order-Number	Euro
VPH-SPS-HP-150-44/25	Suction Plate		4.27 (9.41)		150 (331)			440 x 250 (17.32 x 9.84)		42700050	475,-

Spare Parts:

Type	Description	Dead Weight kg (lbs)	Order-Number	Euro
ED-SPS-HP-100	Replacement seal for VPH-SPS-HP-100-26/21	0.3 (0.66)	42730004	102,-
ED-SPS-HP-150	Replacement seal for VPH-SPS-HP-150-44/25	0.36 (0.79)	42730012	132,-



XS-JET-80-GRABO with T-handle extension



XS-JET-80-GRABO

XS-JET-80-GRABO
Vacuum Hand Laying Device

max. 80 kg/176 lbs

For fast lifting, moving and laying of even porous concrete slabs and natural stone slabs.

- Including suction plate 30 x 30 cm - Max. Load capacity 50 kg.
- Equipped with a powerful blower.
- Digital display for optimum readability of the vacuum.
- Easy and tool-free replacement of the seal.
- Easy replacement of the filter fleece without tools.
- Powered by a rechargeable 18 V lithium-ion battery. (rechargeable battery concept)
- Battery runtime: Maximum approx. 26 min. in continuous operation.
- Charging time approx. 90 min.
- Attachable wired remote control for switching the vacuum on and off directly on mounted handles.
- Optionally available: Height-adjustable carrying handles FXAH-120-SOLO set and FXAH-120-DUO set for tool-free attachment. For even more ergonomic working.

Scope of delivery:

XS-JET-80-GRABO: vacuum hand-held laying device incl. 30 x 30 cm suction late, 1 x mains adater/charger with 4 interchangeable lugs (EU, US, UK, CN), 2 x rechargeable battery, relacement seal, 2 x relacement filters, T-handle extension, wired remote control for T-handle extension. Sulied in soft case.

Type	Working Load Limit/WLL -200 mbar kg (lbs)	Dead Weight kg (lbs)	Type of Drive electric/ Battery kW	Dimensions L x W mm (in)	Weight Total Weight kg (lbs)	Battery Capacity Ah	Order-Number	Euro
XS-JET-80-GRABO	80 (176)	2.8 (6.17)	0.16	300 x 300 (11.81 x 11.81)	8.3 (18)	5.2	58500018	599,-

011225 Technical adjustments and changes to the colour scheme are reserved. Illustrations are exemplary and non-binding. No liability accepted for any misprints, mistakes and errors. Prices are ex works. * Details in the General Sales Conditions at the end of the catalog or at www.probst-handling.com/en/gtc

Accessories:



XS-JET-ESP-80-40/40



FXAH-120-DUO-Set



FXAH-120-SOLO-Set

FXAH-120-DUO-Set: Hand carrying handle with adapter for two persons. For ergonomic moving and laying of building materials.

FXAH-120-SOLO-Set: Hand carrying handle with adapter for one person. For ergonomic moving and laying of building materials.

5

Type	Description	Working Load Limit/WLL kg (lbs)	Dead Weight kg (lbs)	Working Load Limit/WLL -200 mbar kg (lbs)	Dimensions L x W mm (in)	Order-Number	Euro
FXAH-120-DUO-Set	Hand carry handle with adapter for two persons (also suitable for NEMO GRABO, GRABO Pro-Lifter 20 and GRABO HIGHFLOW)	120 (265)	10 (22)			48500054	235,-
FXAH-120-SOLO-Set	Hand carry handle with adapter for one person (also suitable for NEMO GRABO, GRABO Pro-Lifter 20 and GRABO HIGHFLOW)	120 (265)	4.2 (9.26)			48500055	192,-
XS-JET-ESP-80-40/40	Suction plate		1.79 (3.95)	80 (176)	400 x 400 (15.75 x 15.75)	48500114	154,-

Spare Parts:

Type	Description	Dead Weight kg (lbs)	Dimensions L x W mm (in)	Order-Number	Euro
XS-JET-ED-ESP-50	Replacement seal			48500094	58,-
XS-JET-ED-ESP-80	Replacement seal	0.220 (0.49)	400 x 400 (15.75 x 15.75)	48500091	51,50



M-JET-250 with VS-GH-SPS-80(60)-40/30



M-JET-250 with VS-GH-SPS-200(150)-85/34

M-JET-250

NEW

max. 250 kg/550 lbs

Vacuum Hand Laying Device

Compact, powerful vacuum lifting device for safe installation of slabs weighing up to 250 kg – cordless, manual, or as an attachment

Natural stone slabs, concrete slabs, tiles, exposed aggregate concrete slabs, and other porous materials weighing up to 250 kg – with the powerful vacuum blower, this is no problem for the M-JET-250, which weighs only 16 kg. Powered by an 18 V / 10 Ah CAS battery, you can work cordlessly, flexibly and independently of power sources.

By hand or on a carrier device: Two people can operate it comfortably using the ergonomically adjustable handles, including a wired remote control that allows the vacuum to be released directly by pressing a button. Alternatively, the M-JET-250 can be used on excavators, wheel loaders, or other carrier devices via the integrated suspension eye.

The optionally available suction plates can be exchanged without tools. The quick-change system is identical to that of the SPEEDY VS, so existing suction plates can continue to be used. The foldable handles enable a stable parking position – this means that the device stands securely, the suction plate hangs freely, remains clean, and the seal is protected.

- Integrated lifting eye.
- Lifting capacity up to 250 kg for porous building materials such as concrete slabs, natural stone, sandstone, tiles, or exposed aggregate concrete slabs.
- Compatible with CAS batteries from 8 Ah.
- Eco mode for energy-saving operation; Boost mode can be activated for more porous materials (results in higher power consumption).
- Flexible use as a handheld device or mounted on excavators, wheel loaders, and other carrier vehicles.
- Handles in the storage position protect the sponge rubber seal of the suction plates.
- Tool-free interchangeable suction plates, compatible with the SPEEDY system. (Loading capacity depends on the vacuum attachment)
- Quick-change batteries and long operating time. (approx. 56 minutes with 10 Ah battery)
- Ergonomically adjustable handles in three positions.
- Telescopic handles. (+100 mm per handle)
- LCD display with vacuum gauge, switchable between bar and psi, mode indicator, and remaining battery life.
- Operating hours and cycle counter.
- Visual warning indicator via LED light bar.
- Wired remote control allows for convenient detachment from the handle.
- Incl. load securing chain.



Type	Description	Working Load Limit/WLL -150 mbar kg (lbs)	Dead Weight kg (lbs)	Working Voltage V	Order-Number	Euro
M-JET-250	Basic unit without battery, suction plate or charger. Specification of dead weight including load securing chain and without battery.	250 (551)	17.7 (39)	18	52700029	1.985,-

Accessories:



VS-GH-SPS-100(75)-50/30

Type	Description	Dead Weight kg (lbs)	Working Voltage V	Power kW	Working Load Limit/ WLL -200 mbar kg (lbs)	Working Load Limit/ WLL -150 mbar kg (lbs)	Type of Drive electric/ Battery kW	Dimensions L x W mm (in)	Dimensions oval, L x B mm (in)	Order-Number	Euro
CAS Li-ion battery 18V/10Ah	Battery	1.01 (2.23)	18				0.18			24200165	185,-
CAS-ASC-290-12-36V	Charger with US plug	1.25 (2.76)	110 – 240	0.29						24200168	152,90
CAS-ASC-290-12-36V	Charger with UK plug	1.25 (2.76)	110 – 240	0.29						24200167	152,90
CAS-ASC-290-12-36V	Charger with AU plug	1.25 (2.76)	110 – 240	0.29						24200169	152,90
M-JET-SPS-250-97/42	Suction plate	18 (40)				250 (551)		970 x 420 (38.19 x 16.54)		42710223	775,-
VS-GH-SPS-80(60)-40/30	Suction Plate	2.1 (4.63)			80 (176)	60 (132)			400 x 300 (15.75 x 11.81)	42710129	311,-
VS-GH-SPS-100(75)-50/30	Suction Plate	2.7 (5.95)			100 (220)	75 (165)			500 x 300 (19.69 x 11.81)	42710130	327,-
VS-GH-SPS-140(105)-70/30	Suction Plate	3.4 (7.50)			140 (309)				700 x 300 (27.56 x 11.81)	42710131	372,-
VS-GH-SPS-200(150)-85/34	Suction Plate	11.9 (26)			200 (441)	150 (331)			850 x 340 (33.46 x 13.39)	42710132	442,-

Spare Parts:

Type	Description	Order-Number	Euro
Lamellar plugs	1 item, for plugging drilled holes in the suction plates	21070141	4,30
Load securing chain	for M-JET-250	42710225	48,50
M-JET-ED-SPS-250	Replacement seal for M-JET-SPS-250-97/42	42710224	238,-
VS-ED	Rubber Seal self-adhesive, for integrated suction plate of the basic unit	42710165	143,-
VS-ED-SPS-80	Replacement seal for VS-GH-SPS-80	42710029	124,-
VS-ED-SPS-100	Replacement seal for VS-GH-SPS-100	42710031	132,-
VS-ED-SPS-140	Replacement seal for VS-GH-SPS-140	42710030	144,-
VS-ED-SPS-200	Replacement seal for VS-GH-SPS-200	42710140	169,-
VS-GH-SPS	Retro fit kit counter holder for existing suction plate, consisting of: 2 x counter holder + screws, nuts	42710127	25,50



VS-140/200



VS-140/200



VS-140/200-XL

SPEEDY VS-140/200

max. 200 kg/440 lbs

Vacuum Hand Laying Device

With the SPEEDY VS-140/200 manual vacuum laying device, all types of slabs can be laid quickly without joints and, above all, without harming the body.

The powerful single phase powered vacuum turbine also allows the quick and safe handling of very porous material as well as material with exposed aggregate surface. With an integrated suction plate for up to 50 kg (110 lbs) and quick change function.

With this new hand laying tool all kinds of slabs can be laid quickly and above all, ergonomically. Using the quick-change function, all standard suction plates can be attached in seconds without tools. Plug type F, 230 V.

- Can, when combined with the corresponding suction plate and lifting eye VS-EH safely lift and lay elements weighing up to 200 kg (441 lbs).
- Handles can be rotated 90° by repositioning 2 bolts. This can be of an advantage when switching from crosswise to lengthwise laying of slabs or when the slabs are laid touching a wall.
- Now with unlockable actuating lever for vacuum release. This double safety device secures the paving material against accidental release.
- The working load limit with handles is 140 kg (309 lbs).
- Quick positive suction action.
- Handles individually height adjustable. Important for users of different heights and for laying steps.
- Two short handles (in lower position) make easier the taking-off from high stacks of slabs.
- The handles can be folded down for easy transportation.
- Light weight design.
- Durable surface protection by galvanizing.

VS-140/200-XL:

- With long handles for safe installation of slabs.
- With lifting eye and safety chain for risk-free lifting and handling.

Type	Description	Working Load Limit/WLL -200 mbar kg (lbs)	Dead Weight kg (lbs)	Electric Voltage / AC (50 Hz) V	Type of Drive electric/AC (50 Hz) kW	Dimensions L x W mm (in)	Electric Voltage /AC (60 Hz) V	Type of Drive electric/AC (60 Hz) kW	Order-Number	Euro
VS-140/200-110	incl. suction plate 50 kg (110 lbs)	200 (441)	24 (53)			300 x 250 (11.81 x 9.84)	110	1.5	52700019	2.280,-
VS-140/200-XL-110	incl. suction plate 50 kg (110 lbs) with long handle and lifting eye	200 (441)	30 (66)			300 x 250 (11.81 x 9.84)	110	1.5	52700020	2.460,-
VS-140/200-I	incl. suction plate 50 kg, with plug type I (e.g. Australia, New Zealand)	200 (441)	24 (53)	230	1.5	300 x 250 (11.81 x 9.84)	230	1.5	52700024	2.270,-

01725 Technical adjustments and changes to the colour scheme are reserved. Illustrations are exemplary and non-binding. No liability accepted for any misprints, mistakes and errors. Prices are ex works. * Details in the General Sales Conditions at the end of the catalog or at www.probst-handling.com/en/gtc

Accessories:



VS-PR



VS-EH



VS-140-XL-HG



VS-GH-SPS-100(75)-50/30



VS-GH-WSP-150-90/12-15,5-101°

VS-PR: Holder for practical storing of the EU 22i Honda generator when operating the SPEEDY on lifting equipment (e.g. a digger).

5

Type	Description	Dead Weight kg (lbs)	Working Load Limit/ WLL kg (lbs)	Working Load Limit/ WLL -200 mbar kg (lbs)	Working Load Limit/ WLL -150 mbar kg (lbs)	Electric Voltage /AC (50 Hz) V	Type of Drive Petrol Engine kW	Dimensions oval, L x B mm (in)	Dimensions L x W x H mm (in)	Order-Number	Euro
SE-H	Generator Honda EU 22 i, 230 V 50 Hz, petrol engine	22.5 (50)				230	2.25			52500243	2.100,-
VS-140-XL-HG	Pair of long handles for VS-140/200 for slabs up to 1,2 m width	9 (20)	140 (309)							42710089	406,-
VS-AP	Adapter plate for special SPEEDY suction plates	4 (8.82)								42710163	259,-
VS-EH	Lifting eye with safety chain for VS-140 and VS-140/200	3.8 (8.38)	200 (441)							42710143	139,-
VS-GH-SPS-80(60)-40/30	Suction Plate	2.1 (4.63)		80 (176)	60 (132)			400 x 300 (15.75 x 11.81)		42710129	311,-
VS-GH-SPS-100(75)-50/30	Suction Plate	2.7 (5.95)		100 (220)	75 (165)			500 x 300 (19.69 x 11.81)		42710130	327,-
VS-GH-SPS-140(105)-70/30	Suction Plate	3.4 (7.50)		140 (309)				700 x 300 (27.56 x 11.81)		42710131	372,-
VS-GH-SPS-200(150)-85/34	Suction Plate	11.9 (26)		200 (441)	150 (331)			850 x 340 (33.46 x 13.39)		42710132	442,-
VS-GH-WSP-150(110)-70/15,5-17-90°	Angeled Suction Plate	7 (15)		150 (331)	110 (243)			700 x 155 x 170 (27.56 x 6.10 x 6.69)		42720360	1.040,-
VS-GH-WSP-150-90/12-15,5-101°	Angeled Suction Plate	7.891 (17)		150 (331)	110 (243)			900 x 120 x 155 (35.43 x 4.72 x 6.10)		42720347	962,-
VS-GH-WSP-85(65)-90/8-12-90°	Angeled Suction Plate	8 (18)		85 (187)	65 (143)			900 x 80 x 120 (35.43 x 3.15 x 4.72)		42720345	1.030,-
VS-PR	Holder for power generator	10 (22)	200 (441)							42710166	462,-

Spare Parts:

Type	Description	Dead Weight kg (lbs)	Order-Number	Euro
Lamellar plugs	1 item, for plugging drilled holes in the suction plates		21070141	4,30
VS-ED	Rubber Seal self-adhesive, for integrated suction plate of the basic unit	0.24 (0.53)	42710165	143,–
VS-ED-SPS-80	Replacement seal for VS-GH-SPS-80	0.66 (1.46)	42710029	124,–
VS-ED-SPS-100	Replacement seal for VS-GH-SPS-100	0.79 (1.74)	42710031	132,–
VS-ED-SPS-140	Replacement seal for VS-GH-SPS-140	0.92 (2.03)	42710030	144,–
VS-ED-SPS-200	Replacement seal for VS-GH-SPS-200	1.02 (2.25)	42710140	169,–
VS-GH-SPS	Retro fit kit counter holder for existing suction plate, consisting of: 2 x counter holder + screws, nuts	0.1 (0.22)	42710127	25,50

UNIMOBIL UM Laying Dolly

5



UM-VS-S/SE – complete version

The UNIMOBIL UM is an installation dolly that can easily handle concrete and natural stone units up to 150 kg (330 lbs).

- Efficiency is noticeably increased, as it only requires one person to carry out the installation work.
- Special feature: The boom is lifted through a gas spring with integrated brake and is controlled by a lever on the operating handle. This way stone can be picked up from a pallet of approximately 900 mm (35.43 inch) height. By pressing the lever again the load is lowered gently into place. Pressing the lever once more lifts the boom up to pick up the next unit.

Basic version, standard equipment:

- Big rubber wheels with a diameter of 400 mm (15.74 inch), makes manoeuvring the UM easy.
- Track width of rubber wheels adjustable (outer dimension 610 to 905 mm / 24 to 35.62 inch).
- Supported by a steering roller with a locking brake.
- Boom and handles are telescopic to adjust well to different weights and measures of the slabs.
- Gas spring with integrated brake with a control handle.



max. 150 kg/330 lbs



UM-VS-S/SE - complete version

UNIMOBIL UM-VS Laying Dolly

Basic version (without suction plate) equipped with SPEEDY VS-140/200 electrical operation 230 V or 110 V. The UNIMOBIL UM-VS-140 is the perfect vacuum laying system for porous slabs and stone.

If you are already using a Speedy VS-140/200 please ask us for a quotation to upgrade it to a UM-VS! Available with integrated generator, unlimited operating range, more flexible!

The following components are required for a complete device: UM-VS-140/200 + SPEEDY VS-140/200 (230V) + SE-H Honda generator and pendular suspension for generator (see accessories).

- Advantage: Gentle and close positioning of slabs possible. Re-pick up possible. Also suitable for very porous stones.
- It is equipped with a 90° turnable suspension for the perfect positioning of the slabs.
- Including additional handle on the suction plate for better positioning of the laying material.
- Releasing of the suction force very simple by pulling a lever.
- Quick adjustment of the arm in 5 different positions.
- Durable surface protection by galvanizing.

Type	Description	Working Load Limit/WLL kg (lbs)	Dead Weight kg (lbs)	Order-Number	Euro
UM-VS-140/200	Basic version for installing the SPEEDY VS-140/200	150 (331)	45 (99)	42740017	3.790,-

Accessories:



VS-140/200



VS-GH-SPS-100(75)-50/30

Type	Description	Working Load Limit/ WLL -200 mbar kg (lbs)	Dead Weight kg (lbs)	Dimensions oval, L x B mm (in)	Working Load Limit/ WLL -150 mbar kg (lbs)	Electric Voltage / AC (50 Hz) V	Type of Drive electric/AC (50 Hz) kW	Type of Drive Petrol Engine kW	Dimensions L x W mm (in)	Order-Number	Euro
SE-H	Generator Honda EU 22 i, 230 V 50 Hz, petrol engine		22.5 (50)			230		2.25		52500243	2.100,-
UM-PA	Swinging Suspension for Honda generator in the UNIMOBIL		1.1 (2.43)							42720238	186,-
VS-140/200-110	incl. suction plate 50 kg (110 lbs)	200 (441)	24 (53)			110	1.5		300 x 250 (11.81 x 9.84)	52700019	2.280,-
VS-SPS-50(40)-30/25	Suction Plate	50 (110)	1.5 (3.31)						300 x 250 (11.81 x 9.84)	42710013	230,-

011225 Technical adjustments and changes to the colour scheme are reserved. Illustrations are exemplary and non-binding. No liability accepted for any misprints, mistakes and errors. Prices are ex works. * Details in the General Sales Conditions at the end of the catalog or at www.probst-handling.com/en/gsc

Type	Description	Working Load Limit/ WLL -200 mbar kg (lbs)	Dead Weight kg (lbs)	Dimensions oval, L x B mm (in)	Working Load Limit/ WLL -150 mbar kg (lbs)	Electric Voltage / AC (50 Hz) V	Type of Drive electric/AC (50 Hz) kW	Type of Drive Petrol Engine kW	Dimensions L x W mm (in)	Order-Number	Euro
VS-GH-SPS-80(60)-40/30	Suction Plate	80 (176)	2.1 (4.63)	400 x 300 (15.75 x 11.81)	60 (132)					42710129	311,-
VS-GH-SPS-100(75)-50/30	Suction Plate	100 (220)	2.7 (5.95)	500 x 300 (19.69 x 11.81)	75 (165)					42710130	327,-
VS-GH-SPS-140(105)-70/30	Suction Plate	140 (309)	3.4 (7.50)	700 x 300 (27.56 x 11.81)						42710131	372,-

5



UNIMOBIL UM-SM Laying Dolly

max. 150 kg/330 lbs



UM-SM - complete version

Equipped with battery driven STONEMAGNET SM. The UNIMOBIL UM-SM is the perfect vacuum laying system for dense slabs and stone.

Suction plate not included in scope of delivery.

If you are already using a SM please ask us for a quotation to upgrade it to a UM-SM.

The following components are required for a complete device: UM-SM + SM-1200.

- The most gentle and the closest positioning of slabs as possible. Re-pick up possible. Suitable for dense laying material.
- It is equipped with handles on the suction plate and a 90° turnable suspension for the perfect positioning of the slabs.
- With handles for precise guidance of the suction plate, for positioning the material to be placed.
- Durable surface protection by galvanizing.
- Quick adjustment of the arm in 5 different positions.



Type	Description	Working Load Limit/WLL kg (lbs)	Dead Weight kg (lbs)	Order-Number	Euro
UM-SM	Basic version for installing the STONEMAGNET SM	150 (331)	42 (93)	42740011	3.720,-

Accessories:



SM-1200



AGM-AKKU 12V/26Ah



LG-220 V/12V

SM-1200: The STONEMAGNET SM-1200 offers a load capacity of 1,200 kg (with corresponding suction plate) and a 12 V battery with automatic power saving for long periods of use. Maintenance flaps on both sides for optimum accessibility, quick-change interface for suction plates, automatic locking by gravity. All-round impact protection serves as a handle for easy levelling. Optionally available with ergonomic operating handle.

Type	Description	Working Load Limit/WLL -500 mbar kg (lbs)	Dead Weight kg (lbs)	Dimensions L x W mm (in)	Type of Drive electric/Battery kW	Working Voltage V	Battery Capacity Ah	Order-Number	Euro
Adapter SM-1200 for UM-SM	Required for attaching the SM-1200 to the UM-SM		2.93 (6.46)					42720470	71,-
AGM-AKKU 12V/26Ah	Spare storage		9.1 (20)			12	26	24200008	149,-
LG-220 V/12V	Battery charging device w/ overload protection and charging current limiting. Housing is water and dust-proof							24200152	110,-
SM-1200	Basic unit with AGM battery, without suction plate	1,200 (2,646)	40 (88)		0.093	12		52720009	3.070,-
SM-SPS-90-30/20	Suction plate	90 (198)	5 (11)	300 x 200 (11.81 x 7.87)				42720009	535,-

011725 Technical adjustments and changes to the colour scheme are reserved. Illustrations are exemplary and non-binding. No liability accepted for any misprints, mistakes and errors. Prices are ex works. * Details in the General Sales Conditions at the end of the catalog or at www.probst-handling.com/en/gtc



STONEMAGNET SM-1200 Vacuum Lifting Device

max. 1200 kg/2645 lbs



SM-1200



SM-1200 with SM-1200-BB

Powerful, battery-operated vacuum lifting device for suction-tight stone slabs, concrete elements or steps.

The STONEMAGNET SM is the ideal tool for demanding installation work on absorbent stone slabs, concrete elements and steps - independent of the mains power supply thanks to the replaceable 12 V battery. The battery can be changed in seconds and the charge level indicator informs you of the remaining capacity at all times. The robust, galvanised housing has an integrated crane suspension for attachment to any lifting device. Thanks to the quick-release fastener, the suction plates can be exchanged effortlessly so that the device is quickly ready for any application.

- Can be used with any lifting gear.
- Two vacuum pumps.
- Drive via rechargeable, replaceable 12 V AGM battery. Charging socket integrated for charging. (charger not included in scope of delivery)
- Power provided by power-saving automatic system sufficient for a working day.
- Battery can be replaced in seconds without tools.
- Charge level indicator via LEDs built into the housing.
- Durable surface protection thanks to galvanisation.
- With integrated chain compartment and load securing chain.
- Warning lights to indicate a drop in pressure.
- Manometer.
- Automatic pump-down in the event of a pressure drop.
- Vacuum dirt filter to protect the pump.
- Vacuum reservoir for faster evacuation.
- Non-return valve to temporarily secure the load in the event of a pressure drop.
- Operating handle optionally available.



SM-1200: The STONEMAGNET SM-1200 offers a load capacity of 1,200 kg (with corresponding suction plate) and a 12 V battery with automatic power saving for long periods of use. Maintenance flaps on both sides for optimum accessibility, quick-change interface for suction plates, automatic locking by gravity. All-round impact protection serves as a handle for easy levelling. Optionally available with ergonomic operating handle.

Type	Description	Working Load Limit/WLL -500 mbar kg (lbs)	Dead Weight kg (lbs)	Type of Drive electric/Battery kW	Working Voltage V	Order-Number	Euro
SM-1200	Basic unit with AGM battery, without suction plate	1,200 (2,646)	40 (88)	0.093	12	52720009	3.070,-

Accessories:



AGM-AKKU 12V/26Ah

LG-220 V/12V

SM-SPS-200-58/28

Type	Description	Working Load Limit/WLL -500 mbar kg (lbs)	Dead Weight kg (lbs)	Dimensions L x W mm (in)	Working Voltage V	Battery Capacity Ah	Order-Number	Euro
AGM-AKKU 12V/26Ah	Spare storage		9.1 (20)		12	26	24200008	149,-
LG-220 V/12V	Battery charging device w/ overload protection and charging current limiting. Housing is water and dust-proof						24200152	110,-
SM-1200-BB	Operating handle for retrofitting to the SM-1200		3.5 (7.72)				42720461	176,-
SM-SPS-90-30/20	Suction plate	90 (198)	5 (11)	300 x 200 (11.81 x 7.87)			42720009	535,-
SM-SPS-120-80/12	Suction plate	120 (265)	6 (13)	800 x 120 (31.50 x 4.72)			42720043	752,-
SM-SPS-150-41/22	Suction plate	150 (331)	5 (11)	410 x 220 (16.14 x 8.66)			42720018	589,-
SM-SPS-150-80/14	Suction plate	150 (331)	7 (15)	800 x 140 (31.50 x 5.51)			42720013	627,-
SM-SPS-160-90/12	Suction plate	160 (353)	7 (15)	900 x 120 (35.43 x 4.72)			42720047	779,-
SM-SPS-200-58/28	Suction plate	200 (441)	8.2 (18)	580 x 280 (22.83 x 11.02)			42720001	502,-
SM-SPS-400-75/27	Suction plate	400 (882)	10 (22)	750 x 270 (29.53 x 10.63)			42720002	605,-
SM-SPS-600-95/34	Suction plate	600 (1,323)	15 (33)	950 x 340 (37.40 x 13.39)			42720349	660,-
SM-SPS-800-103/39	Suction plate	800 (1,764)	19 (42)	1,030 x 390 (40.55 x 15.35)			42720455	882,-
SM-SPS-1000-99/49	Suction plate	1,000 (2,205)	23 (51)	990 x 490 (38.98 x 19.29)			42720456	940,-
SM-SPS-1200-99/59	Suction plate	1,200 (2,646)	26.15 (58)	990 x 590 (38.98 x 23.23)			42720457	1.000,-
SM-SPS-HP-100-90/9	Suction plate	100 (220)	7 (15)	900 x 90 (35.43 x 3.54)			42720115	676,-

Spare Parts:

ED-SPS: Highly wear-resistant replacement seal: Easy to attach without glueing.

Type	Description	Dead Weight kg (lbs)	Order-Number	Euro
ED-SPS-90	Replacement seal for SM-SPS-90		42500023	109,-
ED-SPS-200	Replacement seal for SM-SPS-200		42720004	170,-
ED-SPS-400	Replacement seal for SM-SPS-400		42720005	175,-
ED-SPS-600	Replacement seal for SM-SPS-600		42500027	219,-
ED-SPS-800	Replacement seal for SM-SPS-800		42720049	214,-
ED-SPS-1000	Replacement seal for SM-SPS-1000		42500326	219,-
ED-SPS-1200	Replacement seal for SM-SPS-1200		42500327	219,-



QJ-600-E with SE-H



QJ-600-E with SE-H

QUICKJET QJ-600-E Vacuum Lifting Device

max. 600 kg/1,320 lbs

Lifts even very porous materials. For efficient and safe handling even of very porous products.

The vacuum power is generated by a strong, electrically powered vacuum turbine. Besides highly porous slabs, also products with exposed aggregates and other rough surfaces can be handled safely and quickly. The compact QUICKJET QJ-600-E can be attached to any carrier by means of load hook, chains, slings etc. The vacuum lifting device comes with a fixed suction plate QJ-ESP-120-38/38 QJ – max. working load limit 120 kg (265 lbs) – and a electrical power cable with on-off switch at the plug connector. The electric generator to operate the vacuum turbine is not included, however it is available as an optional accessory. This generator can be placed in frame of the QJ.

To ensure proper function of the electric turbine when powering the QJ with a generator, please be aware of the following facts: The minimum continuous power production has to be 1.600 W. Exclusively generators with modern Inverter Technology, such as Honda EU 22i, should be used. Plug type F, 230 V.

- Increased insertion height for power generators.
- Release process now via Bowden cable with 2-fold actuation.
- Quick change fasteners allow for speedy attachment of different suction plates to the fixed plate QJ-ESP-120-38/38 within seconds. The different suction plates available are covering versatile kinds of application, various slab sizes and weights.
- A foldable handle ensures safe and accurate positioning of the slabs to be laid.
- The integrated chain guard assures additional safe operation.
- The QJ can be operated without generator at any time. In this case the QJ has to be connected to the electrical network by using a extension cable.
- Compact design.
- Durable surface protection by galvanizing.

Type	Description	Working Load Limit/WLL -200 mbar kg (lbs)	Dead Weight kg (lbs)	Electric Voltage /AC (60 Hz) V	Type of Drive electric/AC (60 Hz) kW	Electric Voltage /AC (50 Hz) V	Type of Drive electric/AC (50 Hz) kW	Order-Number	Euro
QJ-600-E	incl. Suction plate 120 kg (without generator)	600 (1,323)	41 (90)			230	1.5	52400045	4.040,-
QJ-600-E-110	incl. Suction plate 120 kg (without generator)	600 (1,323)	41 (90)	110	1.5			52400049	4.380,-

Accessories:



QJ-RS with SE-H



QJ-ESP-320-59/59

Type	Description	Dead Weight kg (lbs)	Working Load Limit/WLL -200 mbar kg (lbs)	Electric Voltage / AC (50 Hz) V	Type of Drive Petrol Engine kW	Dimensions L x W mm (in)	Order-Number	Euro
Adapter QJ	for Rotator	1.5 (3.31)					40110319	118,-
Adapter QJ for SPEEDY angled suction plates	Adapter for mounting SPEEDY angled suction plates to QUICKJET QJ	6.66 (15)					42420118	339,-

011225 Technical adjustments and changes to the colour scheme are reserved. Illustrations are exemplary and non-binding. No liability accepted for any misprints, mistakes and errors. Prices are ex works. * Details in the General Sales Conditions at the end of the catalog or at www.probst-handling.com/en/qj

Type	Description	Dead Weight kg (lbs)	Working Load Limit/WLL -200 mbar kg (lbs)	Electric Voltage / AC (50 Hz) V	Type of Drive Petrol Engine kW	Dimensions L x W mm (in)	Order-Number	Euro
QJ-ESP-170-90/25	Suction Plate	13 (29)	170 (375)			900 x 250 (35.43 x 9.84)	42420110	737,-
QJ-ESP-250-90/35	Suction Plate	14 (31)	250 (551)			900 x 350 (35.43 x 13.78)	42420112	782,-
QJ-ESP-320-59/59	Suction Plate	13 (29)	320 (705)			590 x 590 (23.23 x 23.23)	42420102	814,-
QJ-ESP-350-151/29	Suction Plate	18 (40)	350 (772)			1,510 x 290 (59.45 x 11.42)	42420108	864,-
QJ-ESP-400-98/48	Suction Plate	19 (42)	400 (882)			980 x 480 (38.58 x 18.90)	42420104	946,-
QJ-ESP-500-140/40	Suction Plate	21 (46)	500 (1,102)			1,400 x 400 (55.12 x 15.75)	42420114	1.010,-
QJ-ESP-600-78,5/78,5	Suction Plate	22 (49)	600 (1,323)			785 x 785 (30.91 x 30.91)	42420106	1.080,-
QJ-RS	Wheelset for QUICKJET	18 (40)					42420083	327,-
SE-H	Generator Honda EU 22 i, 230 V 50 Hz, petrol engine	22.5 (50)		230	2.25		52500243	2.100,-



SH-1000-MINI-B



SH-1000-MINI-E

SH-1000-MINI Vacuum Lifting Device

max. 1,000 kg/2,210 lbs



For efficient and safe handling and laying of heavy loads up to 1,000 kg (2,210 lbs), such as granite slabs, dense concrete elements, marble slabs, kerb stones, steps etc.

Can be hooked on to any carrier or laying machine VM by means of load hook, chain, hoisting cable or similar.

SH-1000-MINI-H – with integrated hydraulic switch over from suction to release actions to be effected directly from the driver's seat. For operation only one hydraulic circuit is needed.

SH-MINI-B and E – are equipped with a manually operated valve for tripping suction and release sequences.

SH-MINI-E: Plug type F, 230 V.

Can be equipped with a hydraulic rotator as an add-on if requested.

- Huge ease of work. Enormous benefit in economization.
- By means of rapid change fasteners different suction plates can be attached to the SH within seconds for varying kinds of applications, various slab dimensions and weights.
- Central load balancing through two variable upper suspensions and adjustable attachment of suction plates.
- Generation of suction through powerful vacuum pump 12 cbm/h.
- Operating handles are arranged in ergonomic position for convenient direction and handling. Handles can easily be rearranged into a rack to put down the device on the ground securely.
- Fitted as standard with chain compartment and load securing chain. Compact design.
- Triple safety concept: integrated vacuum storage tank, visual checking via pressure check valve with red-green-area, battery powered acoustic warning device.

Type	Working Load Limit/WLL -600 mbar kg (lbs)	Dead Weight kg (lbs)	Electric Voltage /AC (50 Hz) V	Type of Drive electric/AC (50 Hz) kW	Hydraulic Connection Pressure bar (psi)	Hydr. Volumetric Flow l/min (gpm)	Hydr. Backflow Pressure, max. bar (psi)	Type of Drive Petrol Engine kW	Order-Number	Euro
SH-1000-MINI-H	1,000 (2,205)	91 (201)			80 – 320 (1,160 – 4,641)	16 – 80 (4.23 – 21.14)	10 (145.04)		52400040	9.130,–
SH-1000-MINI-B	1,000 (2,205)	90 (198)						2.9	52400018	8.800,–
SH-1000-MINI-E	1,000 (2,205)	89 (196)	230	0.52					52400020	6.390,–

Accessories:



SPS-400(260)-75/27

Type	Description	Dead Weight kg (lbs)	Working Load Limit/WLL -400 mbar kg (lbs)	Working Load Limit/WLL -600 mbar kg (lbs)	Dimensions oval, L x B mm (in)	Diameter outside mm (in)	Order-Number	Euro
Fixing bolt	for Lifting Device SH/ POWERJET PJ suction plates	0.47 (1.04)					20390001	28,50
SPS-200(130)-37/37-RD	Suction Plate	10 (22)	130 (287)	200 (441)		370 (14.57)	52500005	730,–
SPS-400(260)-75/27	Suction Plate	15 (33)	260 (573)	400 (882)	750 x 270 (29.53 x 10.63)		52500003	855,–
SPS-500(330)-67/40	Suction Plate	17 (37)	330 (728)	500 (1,102)	670 x 400 (26.38 x 15.75)		52500002	883,–
SPS-800(530)-79/52	Suction Plate	22 (49)	530 (1,168)	800 (1,763)	790 x 520 (31.10 x 20.47)		52500001	974,–
SPS-1010(670)-84/57	Suction Plate	27 (60)	670 (1,477)	1,010 (2,227)	840 x 570 (33.07 x 22.44)		52500238	1.030,–

Spare Parts:

Type	Description	Order-Number	Euro
ED-SPS-200	Replacement seal for SPS-200	42700009	170,–
ED-SPS-500	Replacement seal for SPS-500 and SPS-400	42500002	181,–
ED-SPS-800	Replacement seal for SPS-800	42500001	230,–
ED-SPS-1010	Replacement seal for SPS-1010	42500006	235,–



PJ-1650-B

POWERJET

max. 1,650 kg/3,650 lbs

PJ-1650 Vacuum-Lifting Device

Large-sized concrete slabs with decorative surface finish as well as sandstone slabs may sometimes be very porous. The POWERJET PJ-1650 is especially designed for these kind of slabs.

The enormous suction capacity of this series makes an efficient and safe installation of such porous slabs possible now. This enormous suction capacity is produced by a special vacuum blower for vacuum generation.

Can be attached to any carrier by means of load hook, chain, ropes etc.

Can be equipped with a hydraulic rotator as an add-on if requested.

- With intelligent, battery powered warning system.
- Highest working safety due to integrated chain safety device, so that even highly porous lifting material is protected in case of power failure.
- Ergonomic handles for guiding the PJ.
- Compact design.
- Including high-volume dust filter.
- Durable surface protection by galvanizing.
- Powered by integrated petrol engine with electric start, with integrated manually operated suction release device.
- Optional features: radio remote control of the suction release device PJ-B-FFS or alternatively hydraulically operated suction release device PJ-B-HAE.



PJ-1650-H

PJ-1650-H: Powered by the hydraulic system of the carrier, standard equipment includes hydraulically operated suction release device, the operator controls the activation and release of suction from the drivers seat.

Type	Working Load Limit/WLL -400 mbar kg (lbs)	Dead Weight kg (lbs)	Hydraulic Connection Pressure, min. bar (psi)	Hydraulic Connection Pressure bar (psi)	Hydr. Volumetric Flow l/min (gpm)	Hydr. Backflow Pressure, max. bar (psi)	Type of Drive hydraulic kW	Type of Drive Petrol Engine kW	Order-Number	Euro
PJ-1650-B	1,650 (3,638)	132 (291)						6.6	52400036	11.600,-
PJ-1650-H	1,650 (3,638)	117 (258)	200 – 320 (2,901 – 4,641)	200 (2,901)	16 – 70 (4.23 – 18.49)	10 (145.04)	5.0		52400038	14.500,-

Accessories:



PJ with PJ-RS



PJ-B-FFS



SPS-2500(1650)-143/78



SPS-1500(1000)-80/75



SPS-1200(800)-96/58



SPS-400(260)-75/27

PJ-RS: Transport Trolley suitable for PJ-1650-B and -H. For using the POWERJET device as mobile vacuum unit on site. Safe transport.

Type	Description	Dead Weight kg (lbs)	Working Load Limit/WLL -400 mbar kg (lbs)	Working Load Limit/WLL -600 mbar kg (lbs)	Dimensions oval, L x B mm (in)	Diameter outside mm (in)	Order-Number	Euro
Fixing bolt	for Lifting Device SH/POWERJET PJ suction plates	0.47 (1.04)					20390001	28,50
PJ-B-FFS	Radio remote control for suction release for PJ-1650-B	0.56 (1.23)					42400502	1.840,-
PJ-B-HAE	Hydraulic release device, carrier has to provide one separate hydraulic circuit for proper connection. Inclusive Hydraulic hose. For operation w VM-X/401/301/203.	1.2 (2.65)					41900122	681,-
PJ-B-HAE	Hydraulic release device, carrier has to provide one separate hydraulic circuit for proper connection. Inclusive Hydraulic hose. For operation w/excavator.	1.3 (2.87)					41900123	681,-
PJ-RS	Transport trolley for PJ-1650-B and -H.	20 (44)					42400497	692,-
SPS-200(130)-37/37-RD	Suction Plate	10 (22)	130 (287)	200 (441)		370 (14.57)	52500005	730,-
SPS-400(260)-75/27	Suction Plate	15 (33)	260 (573)	400 (882)	750 x 270 (29.53 x 10.63)		52500003	855,-
SPS-500(330)-67/40	Suction Plate	17 (37)	330 (728)	500 (1,102)	670 x 400 (26.38 x 15.75)		52500002	883,-
SPS-1010(670)-84/57	Suction Plate	27 (60)	670 (1,477)	1,010 (2,227)	840 x 570 (33.07 x 22.44)		52500238	1.030,-
SPS-1200(800)-96/58	Suction Plate	32 (71)	800 (1,764)	1,200 (2,646)	960 x 580 (37.80 x 22.83)		52500162	1.170,-
SPS-1500(1000)-80/75	Suction Plate	38 (84)	1,000 (2,205)	1,500 (3,307)	800 x 750 (31.50 x 29.53)		42400232	1.280,-
SPS-2500(1650)-143/78	Suction Plate	50 (110)	1,650 (3,638)	2,500 (5,512)	1,430 x 780 (56.30 x 30.71)		52500239	1.350,-

Spare Parts:

Type	Description	Dead Weight kg (lbs)	Order-Number	Euro
ED-SPS-200	Replacement seal for SPS-200	0.170 (0.37)	42700009	170,-
ED-SPS-500	Replacement seal for SPS-500 and SPS-400	0.424 (0.93)	42500002	181,-
ED-SPS-1010	Replacement seal for SPS-1010	0.857 (1.89)	42500006	235,-
ED-SPS-1200	Replacement seal for SPS-1200	1.018 (2.24)	42500005	252,-
ED-SPS-1500	Replacement seal for SPS-1500	1.273 (2.81)	42500004	258,-
ED-SPS-2500	Replacement seal for SPS-2500	2.122 (4.68)	42500313	340,-

011225 Technical adjustments and changes to the colour scheme are reserved. Illustrations are exemplary and non-binding. No liability accepted for any misprints, mistakes and errors. Prices are ex works. * Details in the General Sales Conditions at the end of the catalog or at www.probst-handling.com/en/gtc

Vacuum Lifting Device SH for heavy loads up to 3,500 kg

5



SH-2500-GREENLINE

For easy and efficient handling and laying of natural stones, concrete and marble slabs, pipes and steps, etc.

- Designed and equipped specifically for tough construction site use.
- Can be attached to any carrier by load hook, chains, rope.
- Efficient, flexible operation with no compromise on safety.
- In seconds, various suction plates can be fitted to the SH via a quick release locating pin, enabling it to be used for many different purposes and with many different loads.



SH-3500-B

SH-3500-B Vacuum Lifting Device

max. 3,500 kg/7,700 lbs

Threefold vacuum pump capacity compared with the previous standard SH-2500-UNI-B device, producing a significantly faster buildup of vacuum, also suitable for more porous elements. Complete automatic drive via integral petrol engine with electric starter.

Optional available: Wheelset SH-3500-RS, support feet SH-3500-AF and remote control SH-3500-FFS.

- With integral chain-box and load-securing chain.
- Suction and release operation via comfortable button-activation on the control console.
- Built-in operating hours counter.
- With fork sleeves for lifting forks for transportation and for laying.
- All available SH-suction plates are compatible with the SH-3500-B. (in connection with SPS-2500 an adapter is required)

Type	Description	Working Load Limit/WLL -600 mbar kg (lbs)	Dead Weight kg (lbs)	Type of Drive Petrol Engine kW	Order-Number	Euro
SH-3500-B	Basic device, without suction plate	3,500 (7,716)	178 (392)	3.6	52400041	10.800,-
SH-3500-B-FFS	Basic device, without suction plate. With remote control	3,500 (7,716)	180 (397)	3.6	52400047	12.700,-

Accessories:



SH-2500-UNI-B with TRA-3500 + 2 x SPS-400



SPS-2500(1650)-143/78



SPS-1500(1000)-80/75



SPS-1200(800)-96/58



SPS-400(260)-75/27

Type	Description	Dead Weight kg (lbs)	Working Load Limit/WLL kg (lbs)	Working Load Limit/WLL -400 mbar kg (lbs)	Working Load Limit/WLL -600 mbar kg (lbs)	Dimensions oval, L x B mm (in)	Diameter outside mm (in)	Order-Number	Euro
Fixing bolt	for Lifting Device SH/POWERJET PJ suction plates	0.47 (1.04)						20390001	28,50
SH-3500-AF	Support feet for SH-3500-B	12.8 (28)						42400579	692,-
SH-3500-RS	Wheelset for SH-3500-B	10.6 (23)						42500256	372,-
SH-AD	Retrofit kit with Rotator	44.1 (97)						42500267	3.130,-
SH-TRA-3500	For multiple use of the suction plates single plates adjustable. Suction plate turnable by 90°. Distance between centres of suction plates adjustable from max. 1,450 mm (57 inch) to min. 560 mm (22 inch).	63.3 (140)	3,500 (7,716)					42500260	1.740,-
SPS-200(130)-37/37-RD	Suction Plate	10 (22)		130 (287)	200 (441)		370 (14.57)	52500005	730,-
SPS-400(260)-75/27	Suction Plate	15 (33)		260 (573)	400 (882)	750 x 270 (29.53 x 10.63)		52500003	855,-
SPS-500(330)-67/40	Suction Plate	17 (37)		330 (728)	500 (1,102)	670 x 400 (26.38 x 15.75)		52500002	883,-
SPS-1010(670)-84/57	Suction Plate	27 (60)		670 (1,477)	1,010 (2,227)	840 x 570 (33.07 x 22.44)		52500238	1.030,-
SPS-1200(800)-96/58	Suction Plate	32 (71)		800 (1,764)	1,200 (2,646)	960 x 580 (37.80 x 22.83)		52500162	1.170,-

Type	Description	Dead Weight kg (lbs)	Working Load Limit/WLL kg (lbs)	Working Load Limit/WLL -400 mbar kg (lbs)	Working Load Limit/WLL -600 mbar kg (lbs)	Dimensions oval, L x B mm (in)	Diameter outside mm (in)	Order-Number	Euro
SPS-1500(1000)- 80/75	Suction Plate	38 (84)		1,000 (2,205)	1,500 (3,307)	800 x 750 (31.50 x 29.53)		42400232	1.280,-
SPS-2500(1650)- 143/78	Suction Plate	50 (110)		1,650 (3,638)	2,500 (5,512)	1,430 x 780 (56.30 x 30.71)		52500239	1.350,-
SPS-3500(2300)- 174/92	Suction Plate	95 (209)		2,300 (5,071)	3,500 (7,716)	1,740 x 920 (68.50 x 36.22)		42400555	1.730,-

Spare Parts:

ED-SPS: Highly wear-resistant replacement seal: Easy to attach without gluing. Incl. holding fixture.

Type	Description	Order-Number	Euro
ED-SPS-200	Replacement seal for SPS-200	42700009	170,-
ED-SPS-500	Replacement seal for SPS-500 and SPS-400	42500002	181,-
ED-SPS-1010	Replacement seal for SPS-1010	42500006	235,-
ED-SPS-1200	Replacement seal for SPS-1200	42500005	252,-
ED-SPS-1500	Replacement seal for SPS-1500	42500004	258,-
ED-SPS-2500	Replacement seal for SPS-2500	42500313	340,-
ED-SPS-3500	Replacement seal for SPS-3500	42500154	415,-

5



SH-2500-UNI-E



SH-2500-UNI-B

SH-2500-UNI Vacuum Lifting Device

max. 2,500 kg/5,500 lbs



Main Body robust and compact for use on the building site.
Working load limit: Type SH-2500-UNI up to 2,500 kg at - 0.6 bar.
The working load limit is dependent on the suction plate used.

Safety Devices:

- Vacuum gauge
- Safety vacuum storage tank
- Pressure relieve valve

Various Means of Power:

- E = electric, 230 Volt, single phase
- B = petrol engine

Motor-protecting switch, "Schuko" connector including connecting plug (only for SH-2500-UNI-E).
Manually operated valve for vacuum "on/off".

- Acoustic warning device with inbuilt intelligence. Batteries last approx. 1 year.
- Operating handle in ergonomic position.
- Fitted as standard with chain compartment and load securing chain.

SH-2500-UNI-E: Plug type F, 230 V

Type	Working Load Limit/WLL -600 mbar kg (lbs)	Dead Weight kg (lbs)	Type of Drive Petrol Engine kW	Electric Voltage / AC (50 Hz) V	Type of Drive electric/AC (50 Hz) kW	Order-Number	Euro
SH-2500-UNI-E	2,500 (5,512)	116 (256)		230	0.55	52400044	7.830,-
SH-2500-UNI-B	2,500 (5,512)	151.9 (335)	2.9			52400052	9.840,-

Accessories:



SPS-2500(1650)-143/78

SPS-1500(1000)-80/75

SPS-1200(800)-96/58

SPS-400(260)-75/27

SH-2500-HGV: Should be used when laying elements wider than 1 meter (39½ inch). This way, the employee is out of the danger zone during the application. Handle Extension SH-2500-HGV can be fitted at any time later to the structure of SH-2500 by bolting it on with brackets.

SH-2500-RS: The wheelset consists of two attachable main wheels, diameter 300 mm (11¾ inch), one support-wheel and one swivelling wheel. Later attachment to the basic device SH is no problem.

Type	Description	Dead Weight kg (lbs)	Working Load Limit/WLL -400 mbar kg (lbs)	Working Load Limit/WLL -600 mbar kg (lbs)	Dimensions oval, L x B mm (in)	Diameter outside mm (in)	Order-Number	Euro
Fixing bolt	for Lifting Device SH/ POWERJET PJ suction plates	0.47 (1.04)					20390001	28,50
SH-2500-HGV	Handle extension for all models SH-2500	5.5 (12)					42400088	355,-
SH-2500-RS	Wheelset for all models SH-2500	7.7 (17)					42500299	578,-
SPS-200(130)-37/ 37-RD	Suction Plate	10 (22)	130 (287)	200 (441)		370 (14.57)	52500005	730,-
SPS-400(260)-75/ 27	Suction Plate	15 (33)	260 (573)	400 (882)	750 x 270 (29.53 x 10.63)		52500003	855,-
SPS-500(330)-67/ 40	Suction Plate	17 (37)	330 (728)	500 (1,102)	670 x 400 (26.38 x 15.75)		52500002	883,-
SPS-1010(670)-84/ 57	Suction Plate	27 (60)	670 (1,477)	1,010 (2,227)	840 x 570 (33.07 x 22.44)		52500238	1.030,-
SPS-1200(800)-96/ 58	Suction Plate	32 (71)	800 (1,764)	1,200 (2,646)	960 x 580 (37.80 x 22.83)		52500162	1.170,-
SPS-1500(1000)- 80/75	Suction Plate	38 (84)	1,000 (2,205)	1,500 (3,307)	800 x 750 (31.50 x 29.53)		42400232	1.280,-
SPS-2500(1650)- 143/78	Suction Plate	50 (110)	1,650 (3,638)	2,500 (5,512)	1,430 x 780 (56.30 x 30.71)		52500239	1.350,-

Spare Parts:

Type	Description	Order-Number	Euro
ED-SPS-200	Replacement seal for SPS-200	42700009	170,-
ED-SPS-500	Replacement seal for SPS-500 and SPS-400	42500002	181,-
ED-SPS-1010	Replacement seal for SPS-1010	42500006	235,-
ED-SPS-1200	Replacement seal for SPS-1200	42500005	252,-
ED-SPS-1500	Replacement seal for SPS-1500	42500004	258,-
ED-SPS-2500	Replacement seal for SPS-2500	42500313	340,-



SH-2500- GREENLINE Vacuum Lifting Device

max. 2,500 kg/5,500 lbs

The classic now also with battery power. Powerful and independent of mains power.

Suitable for predominantly non-porous concrete and natural stone elements.

Fitted as standard with load securing chain.

Powered by a 24 V lithium-ion rechargeable battery. (exchangeable battery concept) can operate up to 6 hours.

Can be equipped with a hydraulic rotator as an add-on if requested.

■ Emission-free and low-noise operation.

Scope of delivery:

SH-2500-GREENLINE: 1 x Lithium-ion battery and a 230 V/50 Hz charger. The charging time is approx. 2.5 hours.

SH-2500-GREENLINE-FFS: As SH-2500-GREENLINE, but with additional remote control for suction and release.

SH-2500-GREENLINE

5

Type	Description	Working Load Limit/WLL -600 mbar kg (lbs)	Dead Weight kg (lbs)	Type of Drive electric/ Battery kW	Working Voltage V	Battery Capacity Ah	Order-Number	Euro
SH-2500-GREENLINE	Basic device, without suction plate	2,500 (5,512)	151 (333)	0.4	24	23	52400046	14.100,-
SH-2500-GREENLINE-FFS	Basic device, without suction plate. With remote control	2,500 (5,512)	151 (333)	0.4	24	23	52400048	16.100,-

Accessories:



SPS-2500(1650)-143/78

SPS-1500(1000)-80/75

SPS-1200(800)-96/58

SPS-400(260)-75/27

SH-2500-HGV: Should be used when laying elements wider than 1 meter (39½ inch). This way, the employee is out of the danger zone during the application. Handle Extension SH-2500-HGV can be fitted at any time later to the structure of SH-2500 by bolting it on with brackets.

SH-2500-RS: The wheelset consists of two attachable main wheels, diameter 300 mm (11¾ inch), one support-wheel and one swivelling wheel. Later attachment to the basic device SH is no problem.

Type	Description	Dead Weight kg (lbs)	Working Load Limit/WLL -400 mbar kg (lbs)	Working Load Limit/WLL -600 mbar kg (lbs)	Dimensions oval, L x B mm (in)	Diameter outside mm (in)	Working Voltage V	Battery Capacity Ah	Order-Number	Euro
Fixing bolt	for Lifting Device SH/ POWERJET PJ suction plates	0.47 (1.04)							20390001	28,50
Lithium-ion battery-24V/23Ah	Spare storage battery for SH-2500-GREENLINE	5 (11)					24	23	24200142	1.960,-
SH-2500-HGV	Handle extension for all models SH-2500	5.5 (12)							42400088	355,-
SH-2500-RS	Wheelset for all models SH-2500	7.7 (17)							42500299	578,-

Type	Description	Dead Weight kg (lbs)	Working Load Limit/WLL -400 mbar kg (lbs)	Working Load Limit/WLL -600 mbar kg (lbs)	Dimensions oval, L x B mm (in)	Diameter outside mm (in)	Working Voltage V	Battery Capacity Ah	Order-Number	Euro
SPS-200(130)-37/ 37-RD	Suction Plate	10 (22)	130 (287)	200 (441)		370 (14.57)			52500005	730,-
SPS-400(260)-75/ 27	Suction Plate	15 (33)	260 (573)	400 (882)	750 x 270 (29.53 x 10.63)				52500003	855,-
SPS-500(330)-67/ 40	Suction Plate	17 (37)	330 (728)	500 (1,102)	670 x 400 (26.38 x 15.75)				52500002	883,-
SPS-1010(670)-84/ 57	Suction Plate	27 (60)	670 (1,477)	1,010 (2,227)	840 x 570 (33.07 x 22.44)				52500238	1.030,-
SPS-1200(800)-96/ 58	Suction Plate	32 (71)	800 (1,764)	1,200 (2,646)	960 x 580 (37.80 x 22.83)				52500162	1.170,-
SPS-1500(1000)- 80/75	Suction Plate	38 (84)	1,000 (2,205)	1,500 (3,307)	800 x 750 (31.50 x 29.53)				42400232	1.280,-
SPS-2500(1650)- 143/78	Suction Plate	50 (110)	1,650 (3,638)	2,500 (5,512)	1,430 x 780 (56.30 x 30.71)				52500239	1.350,-
SPS-3500(2300)- 174/92	Suction Plate	95 (209)	2,300 (5,071)	3,500 (7,716)	1,740 x 920 (68.50 x 36.22)				42400555	1.730,-

Spare Parts:

Type	Description	Order-Number	Euro
ED-SPS-200	Replacement seal for SPS-200	42700009	170,-
ED-SPS-500	Replacement seal for SPS-500 and SPS-400	42500002	181,-
ED-SPS-1010	Replacement seal for SPS-1010	42500006	235,-
ED-SPS-1200	Replacement seal for SPS-1200	42500005	252,-
ED-SPS-1500	Replacement seal for SPS-1500	42500004	258,-
ED-SPS-2500	Replacement seal for SPS-2500	42500313	340,-

011225 Technical adjustments and changes to the colour scheme are reserved. Illustrations are exemplary and non-binding. No liability accepted for any misprints, mistakes and errors. Prices are ex works. * Details in the General Sales Conditions at the end of the catalog or at www.probst-handling.com/en/gtc



JUMBO-BV-VARIO-150-B

JUMBO-BV-VARIO

max. 250 kg/550 lbs

Vacuum Kerb Stone Installation Machine

The JUMBO-BV-VARIO is a vacuum curb laying machine with articulated boom and offers highest safety in the swivel area thanks to the innovative Probst safety feature „SAFESTOP“.

Mostly kerb stones are installed one side of the road, while on the other side vehicles are still allowed to drive. Existing knuckle boom jibs provide some advantages, such as space requirements, but usually they have disadvantages because it cannot be avoided that they might swing into the trafficed area. This could cause fatal accidents.

Vacuum Components:

Petrol engine or hydraulic motor and vacuum turbine unit with silencer. Supply hose, lifting hose unit HE and operating valve unit BE-SPRINT-2. Pickup height from fork prong level up to approximately 1,100 mm (43¼ inch). Operating Valve unit with handle, dustfilter. Kerb stone suction gripper with durable foam rubber seal, also suitable for natural kerbstones. All components can be changed using quick fasteners.

Pillar Swing Crane:

With hydraulic, vertical tilt capability, diagonal to the direction in which it is travelling. Capable of tilting in the direction in which it is travelling via the pivotal cylinder of the loading bucket. Swing range of the crane jib appr. 270°.

Total height of appliance in working position approx. 2,910 mm (114,5 inch).

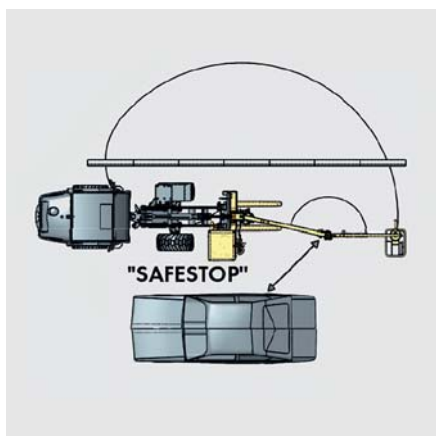
Transport height approx. 2,250 mm (88,5 inch).

The jib can be folded hydraulically.

JUMBO-BV-VARIO-150: incl. kerb stone suction plate WSP-150 (Working load limit 150 kg/330 lbs).

JUMBO-BV-VARIO-200: incl. kerb stone suction plate WSP-200 (Working load limit 200 kg/440 lbs).

JUMBO-BV-VARIO-250: incl. kerb stone suction plate WSP-250 (Working load limit 250 kg/550 lbs).



„SAFESTOP“ prevents uncontrolled slewing of the articulated boom



JUMBO-BV-VARIO-250-B

- With reinforced boom, 250 kg (550 lbs) payload is possible at full extension.
- With universal mounting plate for all common fork carriers of loaders or forklifts, alternatively equipped with hollow tines.
- Innovative Safety Feature: knuckle boom with shifting suspension with „SAFESTOP“.
- Via two adjustment bolts, the operator can make sure, whether he only wants to install on the left side, the right side or on both sides of the loader. Now it is easy, fast and safe to do installation works up to 150 kg (330 lbs) also along-side walls, around trees or posts.
- Installing heavy elements by vacuum lifting force light as a feather, combined with best logistic: distribution and installation in one go. Cost effective and health and safety conjus for your workers.
- The jib can be folded down for compact transportation measurements quick and easy via a hydraulic cylinder. Feeding the vacuum to the lifting unit by well thought out design through the knuckle boom link.
- Easy and quick locking of both knuckle boom links by spring loaded bolt.
- Time saving: 7 kerbs, each 1,000 mm (39“) long can be installed without moving the loader.
- Well proven quick change device for fitting different suction plates within less than one minute.
- Large number of suction plates available for different stone sizes and weights.
- Installation capacity/day: up to 400 metres.
- Large number of suction plates available for different stone sizes and weights.

Type	Description	Working Load Limit/ WLL -420 mbar kg (lbs)	Dead Weight kg (lbs)	Hydraulic Connection Pressure bar (psi)	Hydr. Volumetric Flow l/min (gpm)	Hydr. Backflow Pressure, max. bar (psi)	Load Ex tension mm (in)	Working Width mm (in)	Type of Drive Petrol Engine kW	Order-Number	Euro
JUMBO-BV-VARIO-150-B	incl. kerb stone suction plate WSP-150 (Working load limit 150 kg/330 lbs).	150 (331)	525 (1,157)				3,500 (137.80)	7,000 (275.59)	8.1	52200016-150	On Request

Type	Description	Working Load Limit/ WLL -420 mbar kg (lbs)	Dead Weight kg (lbs)	Hydraulic Connection Pressure bar (psi)	Hydr. Volumetric Flow l/min (gpm)	Hydr. Backflow Pressure, max. bar (psi)	Load Ex tension mm (in)	Working Width mm (in)	Type of Drive Petrol Engine kW	Order-Number	Euro
JUMBO-BV-VARIO-200-B	incl. kerb stone suction plate WSP-200 (Working load limit 200 kg/440 lbs).	200 (441)	570 (1,257)				3,500 (137.80)	7,000 (275.59)	8.1	52200016-200	On Request
JUMBO-BV-VARIO-250-B	incl. kerb stone suction plate WSP-250 (Working load limit 250 kg/550 lbs).	250 (551)	575 (1,268)				3,500 (137.80)	7,000 (275.59)	8.1	52200016-250	On Request
JUMBO-BV-VARIO-150-H	incl. kerb stone suction plate WSP-150 (Working load limit 150 kg/330 lbs).	150 (331)	584 (1,287)	180 – 320 (2,611 – 4,641)	16 – 70 (4.23 – 18.49)	10 (145.04)	3,500 (137.80)	7,000 (275.59)		52200017-150	On Request
JUMBO-BV-VARIO-200-H	incl. kerb stone suction plate WSP-200 (Working load limit 200 kg/440 lbs).	200 (441)	595 (1,312)	180 – 320 (2,611 – 4,641)	16 – 70 (4.23 – 18.49)	10 (145.04)	3,500 (137.80)	7,000 (275.59)		52200017-200	On Request
JUMBO-BV-VARIO-250-H	incl. kerb stone suction plate WSP-250 (Working load limit 250 kg/550 lbs).	250 (551)	600 (1,323)	180 – 320 (2,611 – 4,641)	16 – 70 (4.23 – 18.49)	10 (145.04)	3,500 (137.80)	7,000 (275.59)		52200017-250	On Request

Accessories:



MSP 3-way (rigid)



BE-SPRINT-2



MFS 7-way (rigid)



MFS 7-way (movable)



WSP



top: UZ-BV, bottom: VZ-BV



RG-VZ



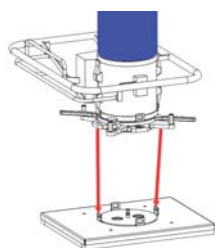
ESP-150-31/31



HE-35 – HE-250



SZV



SWV-HE

BE-SPRINT-2: For direct coupling onto the lifting unit HE. Main body with handle 500 mm (19½ inch) long, fixing screw for adjusting the hovering position, safety gauge.

HE-35 / HE-50 / HE-85 / HE-150 / HE-200 / HE-250: Lifting hose unit for use on the JUMBOMOBIL JM, JUMBO BV, TRANSMOBIL TM, JUMBO-WANDERKRAN JWK or any other crane carrier.

011225 Technical adjustments and changes to the colour scheme are reserved. Illustrations are exemplary and non-binding. No liability accepted for any misprints, mistakes and errors. Prices are ex works. * Details in the General Sales Conditions at the end of the catalog or at www.probst-handling.com/en/gtc

MFS-150-7-S-15Rd: (rigid): Multiple suction plate (7 bellows) with various predefined hole spacings for mounting the bellows. Attached to the various lifting units HE (up to HE-150), you can lay up to 7 concrete blocks safely and quickly. It is also possible to lift only 5 or 6 bricks. Unused bellows can be plugged with an optionally available protective cover and sealing plate and mounted on top of the traverse for trouble-free operation.

MFS-150-7-V-15Rd: (movable): Multiple suction plate (7 bellows) with distance adjustment. Attached to the lifting units up to HE-150, 7 concrete blocks can be laid safely and quickly. DIN18318 (road construction work, paving and paving slabs) stipulates a distance between the individual stones, particularly when laying gutter stones. For this reason, a hand lever can be used to set a distance of 8 mm between the individual stones when the MFS is raised. For block length 160 mm.

MFS-85-6-S-15Rd: (rigid): Multiple suction plate (6 bellows) with various predefined hole spacings for mounting the bellows. Attached to the various lifting units HE (up to HE-150), you can lay up to 6 concrete blocks safely and quickly. Only 4 or 5 bricks can also be lifted. Bellows that are not required can be sealed with an optionally available protective cover and sealing plate and attached to the top of the lifting beam for trouble-free operation.

MFS-150-4-S-20Rd: (rigid): Multiple suction plate (4 bellows). Attached to the lifting units up to HE-150, 4 concrete blocks can be laid safely and quickly.

MFS-150-5-V-15Rd: (verschiebbar): (movable): Multiple suction plate (5 bellows) with adjustable spacing. Attached to the lifting units up to HE-150, 5 concrete blocks can be laid safely and quickly. DIN18318 (road construction work, paving and paving slabs) stipulates a distance between the individual stones, particularly when laying gutter stones. For this reason, a hand lever can be used on this MFS to set a distance of 8 mm between the individual stones when raised. For block length 240 mm.

UZ-BV: universal kerb stone clamp specially designed to grab the kerbs crossway. This is how curved kerb stones with different radiuses can be handled.

VZ-BV-98/100 / VZ-BV-40/104: this clamp has been specially designed to cope with the rare cases when kerb stones are too porous to be lifted with vacuum, so they therefore have to be lifted mechanically.

RG-VZ: Special clamp for the laying of 1, 2 or 3 grass stone slabs in one movement.

SWV-HE: Suction plates are usually fixed to the operating valve unit BE or hose cylinder extension SVZ through two hook latches.

In case suction plates have to be changed continually, the quick change device SWV-HE is highly recommended.

When using lifting hose units HE-200 and He-250, the lifting hose unit is fitted directly to the lifting hose unit by means of 4 tension rods (threaded rods).

Type	Description	Working Load Limit/WLL -420 mbar kg (lbs)	Dead Weight kg (lbs)	Dimensions L x B x H mm (in)	Shifting mm (in)	Number of Suction Plates Stk.	Working Load Limit/ WLL kg (lbs)	Diameter outside mm (in)	Height Lifting Height mm (in)	Gripping Range mm (in)	Order-Number	Euro
BE-SPRINT-2	Operating Valve Unit for HE-35 up to HE-250		8.5 (19)								42100539	2.290,-
ESP-35-20/20	Suction Plate	35 (77)	2 (4.41)	200 x 200							42100050	402,-
ESP-50-23/23	Suction Plate	50 (110)	3 (6.61)	230 x 230							42100561	398,-
ESP-85-25,5/ 25,5	Suction Plate	85 (187)	8 (18)	255 x 255							42100051	414,-
ESP-150-100/12,4	Suction Plate	150 (331)	6 (13)	1000 x 124							52300007	812,-
ESP-150-31/31	Suction Plate	150 (331)	2.8 (6)	310 x 310							42100145	463,-
ESP-150-40/27,5	Suction Plate	150 (331)	5 (11)	310 x 310							42100116	545,-
ESP-150-50/19	Suction Plate	150 (331)	7 (15)	500 x 190							52300019	545,-
ESP-150-92,4/ 13,4	Suction Plate	150 (331)	5 (11)	924 x 134							52300008	779,-
ESP-200-33/33	Suction Plate	200 (441)	3 (7)	330 x 330							42100331	671,-
ESP-250-40/40	Suction Plate	250 (551)	5 (11)	400 x 400							42100054	714,-
HE-35	Lifting Hose Units	35 (77)	9.5 (21)					120 (4.72)	1,700 (67)		42100001	2.960,-
HE-50	Lifting Hose Units	50 (110)	10.5 (23)					140 (5.51)	1,700 (67)		42100106	2.210,-
HE-85	Lifting Hose Units	85 (187)	13.5 (30)					178 (7.01)	1,700 (67)		42100002	2.290,-
HE-150	Lifting Hose Units	150 (331)	18.5 (41)					230 (9.06)	1,500 (59)		42100132	2.390,-
HE-200	Lifting Hose Units	200 (441)	22.5 (50)					250 (9.84)	1,500 (59)		42101114	2.710,-

Type	Description	Working Load Limit/WLL -420 mbar kg (lbs)	Dead Weight kg (lbs)	Dimensions L x B x H mm (in)	Shifting mm (in)	Number of Suction Plates Stk.	Working Load Limit/ WLL kg (lbs)	Diameter outside mm (in)	Height Lifting Height mm (in)	Gripping Range mm (in)	Order-Number	Euro
HE-250	Lifting Hose Units	250 (551)	26.6 (59)					300 (11.81)	1,500 (59)		42101115	3.350,-
Hollow tines	Option package for JUMBO-BV-VARIO-150 / -200 / -250. Payload 1,000 kg		91 (201)				250 (551)				42200505	3.170,-
MFS-150-4-S-20Rd	Multiple Suction Plate oval	150 (331)	12 (26)	200x200 (7.87x7.87)		4					42101535	2.030,-
MFS-150-5-V-15Rd	Multiple Suction Plate oval	150 (331)	14 (31)	150x150 (5.91x5.91)	8 (0.31)	5					42101542	1.840,-
MFS-150-7-S-15Rd	Multiple Suction Plate oval	150 (331)	12 (26)	150x150 (5.91x5.91)		7					42101500	1.780,-
MFS-150-7-V-15Rd	Multiple Suction Plate oval	150 (331)	15 (33)	150x150 (5.91x5.91)	8 (0.31)	7					42101501	2.570,-
MFS-85-6-S-15Rd	Multiple Suction Plate oval	85 (187)	11 (24)	150x150 (5.91x5.91)		6					42101510	1.630,-
MSP-3-S-150-3 x 22RD	Multiple Suction Plate oval	150 (331)	9.9 (22)	220 (8.66)		3					42101192	1.480,-
RG-VZ	Turf Stone Handle		12 (26)				70 (154)			100 – 490 (3.94 – 19.29)	42000003	485,-
SWV-HE	Quick Change Device for lifting hose units		3.8 (8.38)				250 (551)				42101026	545,-
SZV	Hose Cylinder Extension for HE-35 up to HE-150		3.2 (7.05)								42100007	561,-
SZV-250	Hose Cylinder Extension for HE-200 up to HE-250		5.8 (13)								42100008	735,-
UZ-BV	Radius Kerb Clamp		12.197 (27)				150 (331)			80 – 220 (3.15 – 8.66)	52300031	948,-
VZ-BV-40/104	Mechanical Kerb Stone Handle		6.9 (15)				150 (331)			400 – 1,045 (15.75 – 41.14)	42300149	837,-
VZ-BV-98/100	Mechanical Kerb Stone Handle		8 (18)				150 (331)			980 – 1,000 (38.58 – 39.37)	42300001	926,-
WSP-150-52/15-12-98°	Angeled Suction Plate	150 (331)	4.7 (10)	520 x 150 x 120							52500184	795,-
WSP-150-70/11-17-143°	Angeled Suction Plate	150 (331)	6 (13)	700 x 11 x 170							42100126	1.050,-
WSP-150-70/13-10-143°	Angeled Suction Plate	150 (331)	6 (13)	700 x 130 x 100							52500131	1.060,-
WSP-150-70/8-11-143°	Angeled Suction Plate	150 (331)	4.983 (11)	700 80 x 110							42100238	823,-
WSP-150-85/7-7-135°	Angeled Suction Plate	150 (331)	6 (13)	850 x 70 x 70							52300018	839,-
WSP-150-90/10-14-93°	Angeled Suction Plate	150 (331)	7 (15)	900 x 100 x 140							52300033	795,-
WSP-150-90/8-11-90°	Angeled Suction Plate	150 (331)	7.5 (17)	900 x 80 x 110							42100795	1.050,-
WSP-SW-150-70/8-8-75,5	Suction plate for crash barriers for attachment to lifting unit HE-150	150 (331)	18 (40)	700 x 80 x 80		2					42101584	2.130,-

011225 Technical adjustments and changes to the colour scheme are reserved. Illustrations are exemplary and non-binding. No liability accepted for any misprints, mistakes and errors. Prices are ex works. * Details in the General Sales Conditions at the end of the catalog or at www.probst-handling.com/en/gtc



JUMBOMOBIL

max. 200 kg/440 lbs

JM-VARIO Vacuum Slab Laying Machine



JM-VARIO-200-B

For the easy, exact and economical laying of concrete slabs, natural stones, slabs with exposed aggregates, large pavers, petrol station pavers and environmental pavers.

- Extremely easy and light laying as the lifting and setting down are done by a vacuum hose lifter.
- Exact positioning of slabs by means of a smooth-running pillar swing crane with low dead weight.
- Slabs which have already been laid can easily be lifted again.
- Can easily lay up to 400 square metres a day.
- With knuckle boom for safe and quick installation even along house walls.

5



JM-VARIO-200-B

Scope of delivery:

Chassis:

Rugged undercarriage (L x W = 1,300 mm x 1,300 mm / 51.51 x 51.51 in), 1 steering axle, 1 axle with hand brake, 4 pneumatic heavy duty wheels, compartments for counter weights, foldable supports.

Swing Crane:

Telescopic in height via a hand operated winch crane jib 3,9 m (153,54 in) in length and able to turn 350° with 4 different stopping points. Foldable down to 2 m (78.74 in) in length and 2 m (78.74 in) in height for easy transport.

Vacuum turbine unit VGE electrically driven (E):

Powerful vacuum turbine with 3-phase electrical motor, maximum underpressure 520 mbar (7,541 psi), incl. motor protection switch, plug CEE 32 A with integrated phase-switch, silencer, air-fil-ter with pre-separator. Type VGE-SB-L-E.

Vacuum turbine unit VGE Petrol driven (B):

Powerful vacuum turbine with integrated petrol engine, silencer, service hourmeter, air-filter with pre-separator. Type VGE-3-RG-B including conversion kit.

Vacuum Hose Lifter:

Supply hose, lifting hose unit HE, operating valve unit BE-SPRINT-2, hose-cylinder extension SZV. Lifting height -250 mm/9.84 inch (below ground level) to +1250 mm/49.21 inch. incl. Suction plate



JM-VARIO-150-B

Type	Description	Working Load Limit/ WLL -420 mbar kg (lbs)	Dead Weight kg (lbs)	Type of Drive Petrol Engine kW	Load Ex tension mm (in)	Electric Voltage / AC (50 Hz) V	Electric Voltage / AC (60 Hz) V	Type of Drive electric/AC (50 Hz) kW	Type of Drive electric/AC (60 Hz) kW	Order-Number	Euro
JM-VARIO-150-E	incl. Suction plate ESP-150-31/31	150 (331)	900 (1,984)		3,900 (153.54)	230/400	265/460	4	4.8	52000025-150	On Request
JM-VARIO-150-E-US	incl. Suction plate ESP-150-31/31	150 (331)	904.21 (1,993)		3,900 (153.54)		230/460		4.8	52000026-150	On Request
JM-VARIO-200-E	incl. Suction plate ESP-200-33/33	200 (441)	910 (2,006)		3,000 (118.11)	230/400	265/460	4	4.8	52000025-200	On Request

Type	Description	Working Load Limit/ WLL -420 mbar kg (lbs)	Dead Weight kg (lbs)	Type of Drive Petrol Engine kW	Load Extension mm (in)	Electric Voltage / AC (50 Hz) V	Electric Voltage / AC (60 Hz) V	Type of Drive electric/AC (50 Hz) kW	Type of Drive electric/AC (60 Hz) kW	Order-Number	Euro
JM-VARIO-200-E-US	incl. Suction plate ESP-200-33/33	200 (441)	904.49 (1,994)		3,000 (118.11)		230 / 460		4.8	52000026-200	On Request
JM-VARIO-150-B	incl. Suction plate ESP 150-31/31	150 (331)	900 (1,984)	8.1	3,900 (153.54)					52000029-150	On Request
JM-VARIO-200-B	incl. Suction plate ESP 200-33/33	200 (441)	910 (2,006)	8.1	3,000 (118.11)					52000029-200	On Request

Accessories:



MSP 3-way (rigid)



BE-SPRINT-2



MFS 7-way (rigid)



MFS 7-way (movable)



WSP



top: UZ-BV, bottom: VZ-BV



RG-VZ



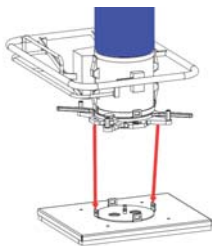
ESP-150-31/31



HE-35 – HE-250



SZV



SWV-HE

BE-SPRINT-2: For direct coupling onto the lifting unit HE. Main body with handle 500 mm (19½ inch) long, fixing screw for adjusting the hovering position, safety gauge.

HE-35 / HE-50 / HE-85 / HE-150 / HE-200 / HE-250: Lifting hose unit for use on the JUMBOMOBIL JM, JUMBO BV, TRANSMOBIL TM, JUMBO-WAN-DEKRAN JWK or any other crane carrier.

MFS-150-7-S-15Rd: (rigid): Multiple suction plate (7 bellows) with various predefined hole spacings for mounting the bellows. Attached to the various lifting units HE (up to HE-150), you can lay up to 7 concrete blocks safely and quickly. It is also possible to lift only 5 or 6 bricks. Unused bellows can be plugged with an optionally available protective cover and sealing plate and mounted on top of the traverse for trouble-free operation.

MFS-150-7-V-15Rd: (movable): Multiple suction plate (7 bellows) with distance adjustment. Attached to the lifting units up to HE-150, 7 concrete blocks can be laid safely and quickly. DIN18318 (road construction work, paving and paving slabs) stipulates a distance between the individual stones, particularly when laying gutter stones. For this reason, a hand lever can be used to set a distance of 8 mm between the individual stones when the MFS is raised. For block length 160 mm.

MFS-85-6-S-15Rd: (rigid): Multiple suction plate (6 bellows) with various predefined hole spacings for mounting the bellows. Attached to the various lifting units HE (up to HE-150), you can lay up to 6 concrete blocks safely and quickly. Only 4 or 5 bricks can also be lifted. Bellows that are not required can be sealed with an optionally available protective cover and sealing plate and attached to the top of the lifting beam for trouble-free operation.

MFS-150-4-S-20Rd: (rigid): Multiple suction plate (4 bellows). Attached to the lifting units up to HE-150, 4 concrete blocks can be laid safely and quickly.

MFS-150-5-V-15Rd: (verschiebbar): (movable): Multiple suction plate (5 bellows) with adjustable spacing. Attached to the lifting units up to HE-150, 5 concrete blocks can be laid safely and quickly. DIN18318 (road construction work, paving and paving slabs) stipulates a distance between the individual stones, particularly when laying gutter stones. For this reason, a hand lever can be used on this MFS to set a distance of 8 mm between the individual stones when raised. For block length 240 mm.

UZ-BV: universal kerb stone clamp specially designed to grab the kerbs crossway. This is how curved kerb stones with different radiuses can be handled.

VZ-BV-98/100 / VZ-BV-40/104: this clamp has been specially designed to cope with the rare cases when kerb stones are too porous to be lifted with vacuum, so they therefore have to be lifted mechanically.

RG-VZ: Special clamp for the laying of 1, 2 or 3 grass stone slabs in one movement.

SWV-HE: Suction plates are usually fixed to the operating valve unit BE or hose cylinder extension SVZ through two hook latches.

In case suction plates have to be changed continually, the quick change device SWV-HE is highly recommended.

When using lifting hose units HE-200 and He-250, the lifting hose unit is fitted directly to the lifting hose unit by means of 4 tension rods (threaded rods).

5

Type	Description	Working Load Limit/WLL -420 mbar kg (lbs)	Dead Weight kg (lbs)	Dimensions L x B x H mm (in)	Shifting mm (in)	Number of Suction Plates Stk.	Working Load Limit/WLL kg (lbs)	Gripping Range mm (in)	Length of Gripper mm (in)	Diameter outside mm (in)	Height Lifting mm (in)	Order-Number	Euro
BE-SPRINT-2	Operating Valve Unit for HE-35 up to HE-250		8.5 (19)									42100539	2.290,-
ESP-35-20/20	Suction Plate	35 (77)	2 (4.41)	200 x 200 (7.9 x 7.9)								42100050	402,-
ESP-50-23/23	Suction Plate	50 (110)	3 (6.61)	230 x 230 (9 x 9)								42100561	398,-
ESP-85-25,5/25,5	Suction Plate	85 (187)	8 (18)	255 x 255 (10 x 10)								42100051	414,-
ESP-150-100/12,4	Suction Plate	150 (331)	6 (13)	1,000 x 124 (39 x 5)								52300007	812,-
ESP-150-31/31	Suction Plate	150 (331)	2.8 (6)	310 x 310 (12 x 12)								42100145	463,-
ESP-150-40/27,5	Suction Plate	150 (331)	5 (11)	400 x 275 (16 x 11)								42100116	545,-
ESP-150-50/19	Suction Plate	150 (331)	7 (15)	500 x 190 (20 x 7)								52300019	545,-
ESP-150-92,4/13,4	Suction Plate	150 (331)	5 (11)	924 x 134 (36 x 5)								52300008	779,-
ESP-200-33/33	Suction Plate	200 (441)	3 (6.61)	330 x 330 (13 x 13)								42100331	671,-
HE-35	Lifting Hose Units	35 (77)	9.5 (21)							120 (4.72)	1,700 (67)	42100001	2.960,-
HE-50	Lifting Hose Units	50 (110)	10.5 (23)							140 (5.51)	1,700 (67)	42100106	2.210,-
HE-85	Lifting Hose Units	85 (187)	13.5 (30)							178 (7.01)	1,700 (67)	42100002	2.290,-
HE-150	Lifting Hose Units	150 (331)	18.5 (41)							230 (9.06)	1,500 (59)	42100132	2.390,-
HE-200	Lifting Hose Units	200 (441)	22.5 (50)							250 (9.84)	1,500 (59)	42101114	2.710,-
MFS-150-4-S-20Rd	Multiple Suction Plate oval	150 (331)	12 (26)	200x200 (7.87 x 7.87)		4						42101535	2.030,-
MFS-150-5-V-15Rd	Multiple Suction Plate oval	150 (331)	14 (31)	150x150 (5.91 x 5.91)	8 (0.31)	5						42101542	1.840,-
MFS-150-7-S-15Rd	Multiple Suction Plate oval	150 (331)	12 (26)	150x150 (5.91 x 5.91)		7						42101500	1.780,-

Type	Description	Working Load Limit/WLL -420 mbar kg (lbs)	Dead Weight kg (lbs)	Dimensions L x B x H mm (in)	Shifting mm (in)	Number of Suction Plates Stk.	Working Load Limit/ WLL kg (lbs)	Gripping Range mm (in)	Length of Gripper mm (in)	Diameter outside mm (in)	Height Lifting mm (in)	Order-Number	Euro
MFS-150-7-V-15Rd	Multiple Suction Plate oval	150 (331)	15 (33)	150 x 150 (5.91 x 5.91)	8 (0.31)	7						42101501	2.570,-
MFS-85-6-S-15Rd	Multiple Suction Plate oval	85 (187)	11 (24)	150 x 150 (5.91 x 5.91)		6						42101510	1.630,-
MSP-3-S-150-3 x 22RD	Multiple Suction Plate oval	150 (331)	9.9 (22)	220 (8.66)		3						42101192	1.480,-
Sealing plate	for Multiple Suction Plates MFS		0.1 (0.22)	145 x 145 (5.71 x 5.71)								33510026	21,50
Protective cover	for Multiple Suction Plates MFS			150 x 150 (5.91 x 5.91)								42101506	16,50
RG-VZ	Turf Stone Handle		12 (26)				70 (154)	100 – 490 (3.94 – 19.29)	50 (1.97)			42000003	485,-
SWV-HE	Quick Change Device for lifting hose units		3.8 (8.38)				250 (551)					42101026	545,-
SZV	Hose Cylinder Extension for HE-35 up to HE-150		3.2 (7.05)									42100007	561,-
SZV-250	Hose Cylinder Extension for HE-200 up to HE-250		5.8 (13)									42100008	735,-
UZ-BV	Radius Kerb Clamp		12.197 (27)				150 (331)	80 – 220 (3.15 – 8.66)	250 (9.84)			52300031	948,-
VZ-BV-40/104	Mechanical Kerb Stone Handle		6.9 (15)				150 (331)	400 – 1,045 (15.75 – 41.14)	100 (3.94)			42300149	837,-
VZ-BV-98/100	Mechanical Kerb Stone Handle		8 (18)				150 (331)	980 – 1,000 (38.58 – 39.37)	100 (3.94)			42300001	926,-
WSP-150-52/15-12-98°	Angeled Suction Plate	150 (331)	4.7 (10)	520 x 150 x 120								52500184	795,-
WSP-150-70/11-17-143°	Angeled Suction Plate	150 (331)	6 (13)	700 x 110 x 170								42100126	1.050,-
WSP-150-70/13-10-143°	Angeled Suction Plate	150 (331)	6 (13)	700 x 130 x 100								52500131	1.060,-
WSP-150-70/8-11-143°	Angeled Suction Plate	150 (331)	4.983 (11)	700 x 80 x 110								42100238	823,-
WSP-150-85/7-7-135°	Angeled Suction Plate	150 (331)	6 (13)	850 x 70 x 70								52300018	839,-
WSP-150-90/10-14-93°	Angeled Suction Plate	150 (331)	7 (15)	900 x 100 x 140								52300033	795,-
WSP-150-90/8-11-90°	Angeled Suction Plate	150 (331)	7.5 (17)	900 x 80 x 110								42100795	1.050,-

011225 Technical adjustments and changes to the colour scheme are reserved. Illustrations are exemplary and non-binding. No liability accepted for any misprints, mistakes and errors. Prices are ex works. * Details in the General Sales Conditions at the end of the catalog or at www.probst-handling.com/en/gtc



TM-150-D-A

TRANSMOBIL TM Installation Carrier

The TRANSMOBIL TM is a laying transporter and a compact universal machine that covers pallet transport and vacuum laying in one unit.

A compact universal machine – transport and handling of palletized building material and vacuum installation all in one. With a dead weight of approx. 1,600 kg (3525 lbs) only, transportation is done easily with a standard trailer. The powerful vacuum laying unit allows the immediate installation of heavy construction elements – effortless and without physical strain.

The lifting unit is equipped with 2 fork tines. Working length 1,090 mm (43”), horizontally adjustable. Lifting height of the lifting unit 340 mm (13 1/2”), lifting capacity 1,500 kg (3,300 lbs).

For maximum pallet-width of 1,300 mm (51”). Dimensions: Overall width 1,910 mm (75”). Total height in transporting position 2,240 mm (88”). Total length in transporting position 2,510 mm (99”).

We offer two models:

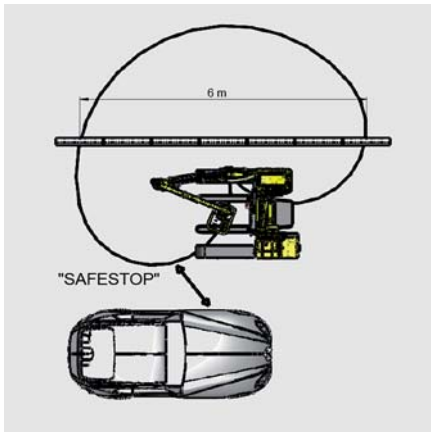
TM-D-A: with sound insulated Hatz Silent Pack diesel engine.

TM-D-A-SILENT: with sound insulated Hatz Silent Pack diesel engine with additional soundproofing measures. Noise emission < 80 dB. All models are equipped with electronic, fully automatic boom alignment – makes work even quicker and particularly user-friendly. Positioning of laying elements without physical effort.



TM-150-D-A

Type	Working Load Limit/WLL -420 mbar kg (lbs)	Payload kg (lbs)	Dead Weight kg (lbs)	Type of Drive Diesel Engine kW	Load Extension mm (in)	Order-Number	Euro
TM-150-D-A	150 (331)	1,500 (3,307)	1,595 (3,516)	9.6	3,000 (118.11)	52220015-150	On Request
TM-200-D-A	200 (441)	1,500 (3,307)	1,610 (3,549)	9.6	3,000 (118.11)	52220015-200	On Request
TM-250-D-A	250 (551)	1,500 (3,307)	1,615 (3,560)	9.6	3,000 (118.11)	52220015-250	On Request
TM-150-D-A-SILENT	150 (331)	1,500 (3,307)	1,710 (3,770)	9.6	3,000 (118.11)	52220016-150	On Request
TM-200-D-A-SILENT	200 (441)	1,500 (3,307)	1,725 (3,803)	9.6	3,000 (118.11)	52220016-200	On Request
TM-250-D-A-SILENT	250 (551)	1,500 (3,307)	1,730 (3,814)	9.6	3,000 (118.11)	52220016-250	On Request



“SAFESTOP” prevents uncontrolled slewing of the articulated boom

- With boom 250 kg (550 lbs) payload is possible at full extension.
- Mostly kerb stones are installed one side of the road, whilst on the other side vehicles are still allowed to drive. Knuckle boom jib with „SAFESTOP” never reaches into the traffic area!
- Robust vacuum lifting unit HE and Operating valve unit BE-SPRINT-2 incl. one standard suction plate.
- The mast of the vacuum laying unit can be adjusted precisely vertically to allow positioning of the lifting unit light as a feather alongside the perfectly horizontal jib. Adjustment approx. +/- 5 degree sideways, +/- 10 degree in driving direction.
- Compact transportation measurements. The jib is lowered down without manual power via a hydraulic cylinder.
- Quick and simple locking of both knuckle boom links by operating just one lever.
- Hour meter and key switch (insurance cover).
- Robust, powerful rubber crawler track – thus the TRANSMOBIL TM maneuvers well and unfailing even on rough terrain. Travel speed approx. 2,2 km/h (1,4 mph).
- Driven by powerful vacuum turbine, also lifts porous materials.
- With more powerful lifting hose unit, proper suction plate etc. and platform for counterweight TM-GGP upgradeable to 250 kg (550 lbs) at full outreach.
- Kerbs can be moved over a length of 6 m without having to move the TM.
- Large number of suction plates available for different stone sizes and weights.

Accessories:



MSP 3-way (rigid)



BE-SPRINT-2



MFS 7-way (rigid)



MFS 7-way (movable)



WSP



top: UZ-BV, bottom: VZ-BV



RG-VZ



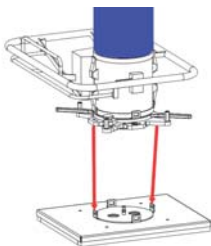
ESP-150-31/31



HE-35 – HE-250



SZV



SWV-HE

01725 Technical adjustments and changes to the colour scheme are reserved. Illustrations are exemplary and non-binding. No liability accepted for any misprints, mistakes and errors. Prices are ex works. * Details in the General Sales Conditions at the end of the catalog or at www.probst-handling.com/en/gtc

BE-SPRINT-2: For direct coupling onto the lifting unit HE. Main body with handle 500 mm (19½ inch) long, fixing screw for adjusting the hovering position, safety gauge.

HE-35 / HE-50 / HE-85 / HE-150 / HE-200 / HE-250: Lifting hose unit for use on the JUMBOMOBIL JM, JUMBO BV, TRANSMOBIL TM, JUMBO-WANDERKRAN JWK or any other crane carrier.

MFS-150-7-S-15Rd: (rigid): Multiple suction plate (7 bellows) with various predefined hole spacings for mounting the bellows. Attached to the various lifting units HE (up to HE-150), you can lay up to 7 concrete blocks safely and quickly. It is also possible to lift only 5 or 6 bricks. Unused bellows can be plugged with an optionally available protective cover and sealing plate and mounted on top of the traverse for trouble-free operation.

MFS-150-7-V-15Rd: (movable): Multiple suction plate (7 bellows) with distance adjustment. Attached to the lifting units up to HE-150, 7 concrete blocks can be laid safely and quickly. DIN18318 (road construction work, paving and paving slabs) stipulates a distance between the individual stones, particularly when laying gutter stones. For this reason, a hand lever can be used to set a distance of 8 mm between the individual stones when the MFS is raised. For block length 160 mm.

MFS-85-6-S-15Rd: (rigid): Multiple suction plate (6 bellows) with various predefined hole spacings for mounting the bellows. Attached to the various lifting units HE (up to HE-150), you can lay up to 6 concrete blocks safely and quickly. Only 4 or 5 bricks can also be lifted. Bellows that are not required can be sealed with an optionally available protective cover and sealing plate and attached to the top of the lifting beam for trouble-free operation.

MFS-150-4-S-20Rd: (rigid): Multiple suction plate (4 bellows). Attached to the lifting units up to HE-150, 4 concrete blocks can be laid safely and quickly.

MFS-150-5-V-15Rd: (verschiebbar): (movable): Multiple suction plate (5 bellows) with adjustable spacing. Attached to the lifting units up to HE-150, 5 concrete blocks can be laid safely and quickly. DIN18318 (road construction work, paving and paving slabs) stipulates a distance between the individual stones, particularly when laying gutter stones. For this reason, a hand lever can be used on this MFS to set a distance of 8 mm between the individual stones when raised. For block length 240 mm.

UZ-BV: universal kerb stone clamp specially designed to grab the kerbs crossway. This is how curved kerb stones with different radiuses can be handled.

VZ-BV-98/100 / VZ-BV-40/104: this clamp has been specially designed to cope with the rare cases when kerb stones are too porous to be lifted with vacuum, so they therefore have to be lifted mechanically.

RG-VZ: Special clamp for the laying of 1, 2 or 3 grass stone slabs in one movement.

SWV-HE: Suction plates are usually fixed to the operating valve unit BE or hose cylinder extension SVZ through two hook latches.

In case suction plates have to be changed continually, the quick change device SWV-HE is highly recommended.

When using lifting hose units HE-200 and He-250, the lifting hose unit is fitted directly to the lifting hose unit by means of 4 tension rods (threaded rods).

Type	Description	Working Load Limit/WLL -420 mbar kg (lbs)	Dead Weight kg (lbs)	Dimensions L x B x H mm (in)	Number of Suction Plates Stk.	Working Load Limit/WLL kg (lbs)	Payload kg (lbs)	Diameter outside mm (in)	Height Lifting mm (in)	Gripping Range mm (in)	Length of Gripper mm (in)	Order-Number	Euro
BE-SPRINT-2	Operating Valve Unit for HE-35 up to HE-250		8.5 (19)									42100539	2.290,-
ESP-35-20/20	Suction Plate	35 (77)	2 (4.41)	200 x 200 (7.9 x 7.9)								42100050	402,-
ESP-50-23/23	Suction Plate	50 (110)	3 (6.61)	230 x 230 (9 x 9)								42100561	398,-
ESP-85-25,5/25,5	Suction Plate	85 (187)	8 (18)	255 x 255 (7.9 x 7.9)								42100051	414,-
ESP-150-100/12,4	Suction Plate	150 (331)	6 (13)	1,000 x 124 (39 x 5)								52300007	812,-
ESP-150-31/31	Suction Plate	150 (331)	2.8 (6.17)	310 x 310 (12 x 12)								42100145	463,-
ESP-150-40/27,5	Suction Plate	150 (331)	5 (11)	400 x 275 (16 x 11)								42100116	545,-
ESP-150-50/19	Suction Plate	150 (331)	7 (15)	500 x 190 (20 x 7)								52300019	545,-
ESP-150-92,4/13,4	Suction Plate	150 (331)	5 (11)	924 x 134 (36 x 5)								52300008	779,-
ESP-200-33/33	Suction Plate	200 (441)	3 (6.61)	330 x 330 (13 x 13)								42100331	671,-
ESP-250-40/40	Suction Plate	250 (551)	5 (11)	400 x 400 (16 x 16)								42100054	714,-
HE-35	Lifting Hose Units	35 (77)	9.5 (21)					120 (4.72)	1,700 (66.93)			42100001	2.960,-

Type	Description	Working Load Limit/WLL -420 mbar kg (lbs)	Dead Weight kg (lbs)	Dimensions L x B x H mm (in)	Number of Suction Plates Stk.	Working Load Limit/ WLL kg (lbs)	Payload kg (lbs)	Diameter outside mm (in)	Height Lifting Height mm (in)	Gripping Range mm (in)	Length of Gripper mm (in)	Order-Number	Euro
HE-50	Lifting Hose Units	50 (110)	10.5 (23)	140 (5.51)				140 (5.51)	1,700 (66.93)			42100106	2.210,-
HE-85	Lifting Hose Units	85 (187)	13.5 (30)	178 (7.01)				178 (7.01)	1,700 (66.93)			42100002	2.290,-
HE-150	Lifting Hose Units	150 (331)	18.5 (41)	230 (9.06)				230 (9.06)	1,500 (59.06)			42100132	2.390,-
HE-200	Lifting Hose Units	200 (441)	22.5 (50)	250 (9.84)				250 (9.84)	1,500 (59.06)			42101114	2.710,-
HE-250	Lifting Hose Units	250 (551)	26.6 (59)	300 (11.81)				300 (11.81)	1,500 (59.06)			42101115	3.350,-
MFS-150-4-S-20Rd	Multiple Suction Plate oval	150 (331)	12 (26)	200 x 200 (7.87 x 7.87)	4							42101535	2.030,-
MFS-150-5-V-15Rd	Multiple Suction Plate oval	150 (331)	14 (31)	150 x 150 (5.91 x 5.91)	5							42101542	1.840,-
MFS-150-7-S-15Rd	Multiple Suction Plate oval	150 (331)	12 (26)	150 x 150 (5.91 x 5.91)	7							42101500	1.780,-
MFS-150-7-V-15Rd	Multiple Suction Plate oval	150 (331)	15 (33)	150 x 150 (5.91 x 5.91)	7							42101501	2.570,-
MFS-85-6-S-15Rd	Multiple Suction Plate oval	85 (187)	11 (24)	150 x 150 (5.91 x 5.91)	6							42101510	1.630,-
MSP-3-S-150-3 x 22RD	Multiple Suction Plate oval	150 (331)	9.9 (22)	220 (8.66)	3							42101192	1.480,-
Protective cover	for Multiple Suction Plates MFS			150 x 150 (5.91 x 5.91)								42101506	16,50
Sealing plate	for Multiple Suction Plates MFS		0.1 (0.22)	145 x 145 (5.71 x 5.71)								33510026	21,50
RG-VZ	Turf Stone Handle		12 (26)			70 (154)				100 – 490 (3.94 – 19.29)	50 (1.97)	42000003	485,-
SWV-HE	Quick Change Device for lifting hose units		3.8 (8.38)			250 (551)						42101026	545,-
SZV	Hose Cylinder Extension for HE-35 up to HE-150		3.2 (7.05)									42100007	561,-
SZV-250	Hose Cylinder Extension for HE-200 up to HE-250		5.8 (13)									42100008	735,-
TM-GGP	Essential add-on for TM-150 once the lifting capacity exceeds 150 kg (330 lbs). Installation material, such as kerb stones serve as counterweight.		9.2 (20)				250 (551)					42220070	545,-

01725 Technical adjustments and changes to the colour scheme are reserved. Illustrations are exemplary and non-binding. No liability accepted for any misprints, mistakes and errors. Prices are ex works. * Details in the General Sales Conditions at the end of the catalog or at www.probst-handling.com/en/gtc

Type	Description	Working Load Limit/WLL -420 mbar kg (lbs)	Dead Weight kg (lbs)	Dimensions L x B x H mm (in)	Number of Suction Plates Stk.	Working Load Limit/WLL kg (lbs)	Payload kg (lbs)	Diameter outside mm (in)	Height Lifting Height mm (in)	Gripping Range mm (in)	Length of Gripper mm (in)	Order-Number	Euro
UZ-BV	Radius Kerb Clamp		12.197 (27)			150 (331)				80 – 220 (3.15 – 8.66)	250 (9.84)	52300031	948,-
VZ-BV-40/104	Mechanical Kerb Stone Handle		6.9 (15)			150 (331)				400 – 1,045 (15.75 – 41.14)	100 (3.94)	42300149	837,-
VZ-BV-98/100	Mechanical Kerb Stone Handle		8 (18)			150 (331)				980 – 1,000 (38.58 – 39.37)	100 (3.94)	42300001	926,-
WSP-150-52/15-12-98°	Angeled Suction Plate	150 (331)	4.7 (10)	520x 150 x 120								52500184	795,-
WSP-150-70/11-17-143°	Angeled Suction Plate	150 (331)	6 (13)	700 x 110 x 170								42100126	1.050,-
WSP-150-70/13-10-143°	Angeled Suction Plate	150 (331)	6 (13)	700 x 130 x 100								52500131	1.060,-
WSP-150-70/8-11-143°	Angeled Suction Plate	150 (331)	4.983 (11)	700 x 80 x 110								42100238	823,-
WSP-150-85/7-7-135°	Angeled Suction Plate	150 (331)	6 (13)	850 x 70 x 70								52300018	839,-
WSP-150-90/10-14-93°	Angeled Suction Plate	150 (331)	7 (15)	900 x 100 x 140								52300033	795,-
WSP-150-90/8-11-90°	Angeled Suction Plate	150 (331)	7.5 (17)	900 x 80 x 110								42100795	1.050,-
WSP-SW-150-70/8-8-75,5	Suction plate for crash barriers for attachment to lifting unit HE-150	150 (331)	18 (40)	900 x 80 x 110	2							42101584	2.130,-



VZ-M-UNI Kerb Stone Clamp

Fully mechanical operation for use with any wheel loader, excavator or other carriers.

- Lifting eye for attaching to crane hook.
- Handles for optimal guidance of the clamp.
- Automatic release for the fully automatic switch over from "full" to "empty".
- Durable surface protection by galvanizing.

VZ-M-UNI

Type	Working Load Limit/WLL kg (lbs)	Dead Weight kg (lbs)	Gripping Range mm (in)	Length of Gripper mm (in)	Inside Height mm (in)	Order-Number	Euro
VZ-M-UNI	300 (661)	21 (46)	900 – 1,065 (35.43 – 41.93)	150 (5.91)	50 (1.97)	53100275	1.120,-

6



BZ Kerb Stone Handles

For the handling of kerb stones, edging stones, gutters and similar. Also for natural kerb stones. The plumb line remains completely free through a short intervening. We recommend, using the kerb stone handles in pairs.

The plumb line remains completely free through a short intervening. We recommend, using the kerb stone handles in pairs.

- Exchangeable rubber grippers in grey.
- Galvanised finish.

BZ

Type	Working Load Limit/WLL kg (lbs)	Dead Weight kg (lbs)	Gripping Range mm (in)	Length of Gripper mm (in)	Inside Height mm (in)	Order-Number	Euro
BZ	150 (331)	3.8 (8.38)	0 – 400 (0.00 – 15.75)	150 (5.91)	200 (7.87)	53200084	71,50

Spare Parts:

Type	Description	Dead Weight kg (lbs)	Order-Number	Euro
Spare Rubbers BZ	2 pieces in plastic bag (grey)	0.16 (0.35)	43200115	23,-
Spare Rubbers BZ	per piece, loose (grey)	0.08 (0.18)	43200006	11,50





BVZ

BVZ Universal Handle

A large adjustable opening range means the BVZ can be universally used for all gardening- and landscaping-design products.

- Removable handles.
- Exchangeable rubber metal bars as gripping elements.
- Galvanised finish.
- Pin bolts to adjust the opening width.

Type	Working Load Limit/WLL kg (lbs)	Dead Weight kg (lbs)	Gripping Range mm (in)	Length of Gripper mm (in)	Inside Height mm (in)	Order-Number	Euro
BVZ	200 (441)	11.5 (25)	0 – 550 (0.00 – 21.65)	200 (7.87)	210 (8.27)	53200020	227,-

6



VZ-I

VZ Laying Clamp

Especially suitable for handling concrete kerb stones.

- The one-sided angular supports which are placed on the kerb stone already in place enable an extremely narrow joint.
- Grips longitudinally so that it can be used in tightest spaces.
- No deflection of the plumb line.
- All models are equipped with a lifting eye.
- Durable surface protection by galvanizing.

VZ-II: Comes complete with rubber grippers, suitable for moving large slabs.



VZ-II

Type	Working Load Limit/WLL kg (lbs)	Dead Weight kg (lbs)	Gripping Range mm (in)	Length of Gripper mm (in)	Inside Height mm (in)	Order-Number	Euro
VZ-I	100 (220)	11.3 (25)	500 – 1,045 (19.69 – 41.14)	100 (3.94)	40 (1.57)	53100140	219,-
VZ-II	300 (661)	25 (55)	700 – 1,000 (27.56 – 39.37)	200 (7.87)	50 (1.97)	53100141	1.310,-



EXG

EASYGRIP EXG Border Stone Handle

The mechanical pliers EASYGRIP EXG grips parallel, flat and non-tapered concrete elements and is still small, light and handy.

Small, lightweight, easy to handle but nonetheless ultra-strong! EASYGRIP EXG is a mechanical grab suitable for handling parallel, plane and non-conical concrete elements, such as border stones, slabs, block steps and kerb stones.

- The compact and lightweight EASYGRIP EXG can be attached to a carrier (loading crane, mini-excavator etc.) by means of hoisting belts or chains. Thus just one person is able to operate the grab mechanically.
- The grab comes with two handles and thus is also suitable for a two-man manual operation.

EXG-MAXI: With larger gripping range and height-adjustable support as standard.

Type	Working Load Limit/WLL kg (lbs)	Dead Weight kg (lbs)	Gripping Range mm (in)	Length of Gripper mm (in)	Inside Height mm (in)	Order-Number	Euro
EXG	550 (1,213)	12.4 (27)	0 – 300 (0.00 – 11.81)	235 (9.25)	145 – 195 (5.71 – 7.68)	53100370	387,-
EXG-MAXI	600 (1,323)	16 (35)	0 – 400 (0.00 – 15.75)	235 (9.25)	165 – 215 (6.50 – 8.46)	53100392	409,-

6



CSG-400 Concrete Sleeper Grab

Precise gripping and setting of concrete elements for sound and privacy screens – efficient, safe and gentle on the material.

Sound barriers and privacy screens made of concrete or stone must be placed precisely and safely. A reliable gripper is indispensable, especially in confined spaces. The concrete element gripper CSG-400 ensures precise gripping and fast laying – efficiently, safely and gently.

With a gripping range of 30–150 mm and a load capacity of up to 400 kg, the CSG-400 concrete element gripper reliably grabs hold. The double-scissor principle ensures a secure hold, even in confined spaces. Non-marking rubber grippers and a gentle height support protect the material. Lightweight and compact, the grab fits into any vehicle.

After unlocking by hand, the jaws automatically grip when lifting. The carrier device lifts the element and sets it down precisely. When lowering, the CSG-400 concrete element gripper locks automatically – for a fast, uninterrupted workflow. Ideal for professionals who value safety and efficiency.

- Secure hold thanks to the double-scissor principle, even in confined spaces
- Load capacity of up to 400 kg with a gripping range of 30 – 150 mm
- Non-marking rubber grippers and integrated height stop
- Automatic locking after setting down for safe working
- Low dead weight of less than 15 kg for easy transportation
- Semi-automatic: manual unlocking and automatic locking after setting down
- Lifting eye for attachment to carrier devices



CSG-400



CSG-400

Type	Working Load Limit/WLL kg (lbs)	Dead Weight kg (lbs)	Gripping Range mm (in)	Order-Number	Euro
CSG-400	400 (882)	14.5 (32)	30 – 150 (1.18 – 5.91)	53100447	409,-



TG-5/12

TWISTGRIP TG-5/12 Kerb and Strip Stone handle

Powerful grip with a simple turn of the handle.

Basic model TG-5/12: virtually provides kerb and border stones with a "handle".

- Can be set to any grip width from 5 to 12 cm in seconds, without using a tool.
- It takes only 2.5 turns to achieve a full working load limit.
- Compact dimensions, low machine weight.
- Non-damaging grip thanks to highly wear-resistant, replaceable rubber elements.



TG-5/12 with TG-HGV

Type	Working Load Limit/WLL kg (lbs)	Dead Weight kg (lbs)	Gripping Range mm (in)	Length of Gripper mm (in)	Inside Height mm (in)	Order-Number	Euro
TG-5/12	80 (176)	3 (6.61)	50 – 120 (1.97 – 4.72)	90 (3.54)	60 (2.36)	53200102	229,–

Accessories:

TG-HGV: Handle extension for retro-fitting. Depending on the situation, achieves even better ergonomic position. Light as a feather, thanks to aluminium and wood.

Type	Description	Dead Weight kg (lbs)	Order-Number	Euro
TG-HGV	Handle extension	0.41 (0.90)	43200108	44,50



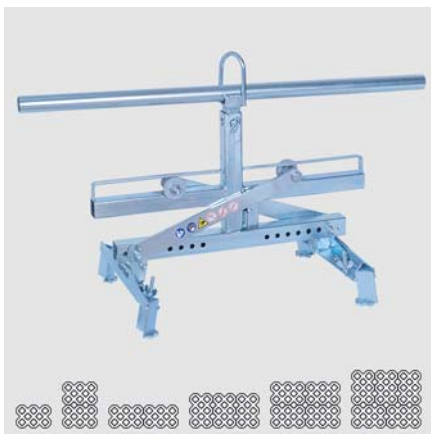
TSV Concrete Step Handles

Universal handles due to a large adjustable opening range. Suitable for steps, kerbs, L-stones, etc.

- Lifting eye for attaching to crane hook.
- Automatic release for fully automatic switch-over from “full” to “empty”.
- Carrying handle.
- Carrying handle turnable by 90° according to the working space.
- Exchangeable rubber grippers.
- Galvanised finish.

TSV

Type	Working Load Limit/WLL kg (lbs)	Dead Weight kg (lbs)	Gripping Range mm (in)	Length of Gripper mm (in)	Inside Height mm (in)	Order-Number	Euro
TSV	250 (551)	19 (42)	70 – 500 (2.76 – 19.69)	200 (7.87)	125 (4.92)	53100435	648,-



RGV-9/9 Turf Stone Laying Clamp

Laying Clamp for Turf Stones, versatile due to exchangeable adaptors.

RGV-9/9 fits Turf Stones 60 x 40 cm, hole dim. 9 x 9 cm (3½ x 3½ inch).

Installs 1 to 5 units at once.

Other adaptors on request.

- Automatic release for fully automatic switch-over from “full” to “empty”.
- Lifting eye, handle, turnable by 90°.
- Screwable adaptors – not compatible with TSV.
- Durable surface protection by galvanizing.

RGV-9/9

Type	Description	Working Load Limit/WLL kg (lbs)	Dead Weight kg (lbs)	Gripping Range mm (in)	Length of Gripper mm (in)	Inside Height mm (in)	Order-Number	Euro
RGV-9/9	Complete unit, RGV+RGV-AS-9/9	250 (551)	21 (46)	300 – 500 (11.81 – 19.69)	400 (15.75)	20 – 60 (0.79 – 2.36)	53100436	719,-

Accessories:

Type	Description	Working Load Limit/WLL kg (lbs)	Dead Weight kg (lbs)	Inside Height mm (in)	Order-Number	Euro
RGV-AS-9/9	Adaptors for 9 x 9 cm (3½ x 3½ inch)	250 (551)	5 (11)	20 – 60 (0.79 – 2.36)	43101153	219,-
RGV-UA	Adaptors for hole distance 200 / 256 / 300 / 331 / 400 / 500 mm 7.87 / 10 / 11.81 / 13 / 15.74 / 19.68 inch	250 (551)	7.516 (17)	25 – 60 (0.98 – 2.36)	43101894	508,-
RGV-UA	Adaptors for hole distance 200 / 256 / 300 / 331 / 400 mm 7.87 / 10 / 11.81 / 13 / 15.74 inch	250 (551)	7.274 (16)	25 – 60 (0.98 – 2.36)	43101877	442,-



011225 Technical adjustments and changes to the colour scheme are reserved. Illustrations are exemplary and non-binding. No liability accepted for any misprints, mistakes and errors. Prices are ex works. * Details in the General Sales Conditions at the end of the catalog or at www.probst-handling.com/en/gtc



TSZ Concrete Step Handles

Suitable for handling steps, kerb stones etc. in conjunction with a lifting device.

- Easily adjustable opening width by means of a spring-loaded bolt.
- Considerable inside height. Conical kerb stones are also gripped securely, as the gripper has an inside height of 185 mm (7¼ inch) thus being able to grip underneath the conical form.
- Lifting eye for attaching to crane hook.
- Automatic release for fully automatic switch-over from "full" to "empty".
- Exchangeable profiled rubber seals.
- Setting the gripping range for TSZ-UNI-800 via scale.
- Galvanised finish.

TSZ-UNI-800 with HVA-FTZ/TSZ (black)

Type	Working Load Limit/WLL kg (lbs)	Dead Weight kg (lbs)	Gripping Range mm (in)	Length of Gripper mm (in)	Inside Height mm (in)	Order-Number	Euro
TSZ-UNI-800	800 (1,764)	31 (68)	50 – 600 (1.97 – 23.62)	350 (13.78)	185 (7.28)	53100451	664,–
TSZ-MAXI-800	800 (1,764)	35 (77)	850 – 1,100 (33.46 – 43.31)	350 (13.78)	185 (7.28)	53100453	1.090,–

Accessories:



HVA-FTZ/TSZ (black)



TSZ-UNI-WB-SQ

HVA-FTZ/TSZ (black): for all versions of FTZ-UNI/MAXI/MULTI and TSZ-UNI. Black rubber. Adjustable range TSZ-UNI/MAXI approx. 55 – 140 mm (2¼ – 5½ inch). Adjustable range FTZ-UNI/MAXI-25 and FTZ-UNI/MULTI-15 approx. 120 – 255 mm (4¾ – 10 inch). FTZ-UNI-50 approx. 55 – 155 mm (2¼ – 6¼ inch). FTZ-MAXI-50 approx. 55 – 195 mm (2¼ – 7¾ inch).

HVA-FTZ/TSZ (grey): for all versions of FTZ-UNI/MAXI/MULTI and TSZ-UNI. Black rubber. Adjustable range TSZ-UNI/MAXI approx. 55 – 140 mm (2¼ – 5½ inch). Adjustable range FTZ-UNI/MAXI-25 and FTZ-UNI/MULTI-15 approx. 120 – 255 mm (4¾ – 10 inch). FTZ-UNI-50 approx. 55 – 155 mm (2¼ – 6¼ inch). FTZ-MAXI-50 approx. 55 – 195 mm (2¼ – 7¾ inch).

TSZ-UNI-WB-SQ: Special steelfinger grippers allow for safe installation of roughly-cut ashlar rocks. The steel-finger grippers can be screwed on the clamp in just a few simple steps.

Type	Description	Dead Weight kg (lbs)	Gripping Range mm (in)	Inside Height mm (in)	Length of Gripper mm (in)	Order-Number	Euro
HVA-FTZ/TSZ (black)	Adjustable Height Stop (Black rubber)	2.5 (5.51)				43100867	94,50
HVA-FTZ/TSZ (grey)	Adjustable Height Stop (Grey rubber)	2.9 (6.39)				43100867-003	133,–
Rubber strip profile, grey		0.4 (0.88)			350 (13.78)	36370030	40,–
TSZ-UNI-WB-SQ	Steelfinger grippers	5.6 (12)	50 – 550 (1.97 – 21.65)	210 (8.27)		43101384	306,–



TSZ-UNI-ET-800 Concrete Step Handles

Suitable for picking and moving steps, kerbstones, block steps and edge angles with a wheel loader or forklift truck.

- Easily adjustable opening width by means of a spring-loaded bolt.
- Considerable inside height. Conical kerb stones are also gripped securely, as the gripper has an inside height of 185 mm (7¼ inch) thus being able to grip underneath the conical form.
- Fork sleeve with lifting eye and manual turning device, engaging every 90°.
Thus the TSZ-UNI-ET-800 can be picked-up with the fork lift truck tines.
- Automatic release for fully automatic switch-over from "full" to "empty".
- Exchangeable profiled rubber seals.
- Can also be used for crane hooks, for example.
- Galvanised finish.
- Optional extras: Height-adjustable support and safety chain.

TSZ-UNI-ET-800 + HVA-FTZ/TSZ (grey) + Safety chain

Type	Working Load Limit/WLL kg (lbs)	Dead Weight kg (lbs)	Gripping Range mm (in)	Length of Gripper mm (in)	Inside Height mm (in)	Order-Number	Euro
TSZ-UNI-ET-800	800 (1,764)	43 (95)	50 – 600 (1.97 – 23.62)	350 (13.78)	185 (7.28)	53100452	1.020,-

Accessories:



HVA-FTZ/TSZ (black)



TSZ-UNI-WB-SQ

HVA-FTZ/TSZ (black): for all versions of FTZ-UNI/MAXI/MULTI and TSZ-UNI. Black rubber. Adjustable range TSZ-UNI/MAXI approx. 55 – 140 mm (2¼ – 5½ inch). Adjustable range FTZ-UNI/MAXI-25 and FTZ-UNI/MULTI-15 approx. 120 – 255 mm (4¾ – 10 inch). FTZ-UNI-50 approx. 55 – 155 mm (2¼ – 6¼ inch). FTZ-MAXI-50 approx. 55 – 195 mm (2¼ – 7¾ inch).

HVA-FTZ/TSZ (grey): for all versions of FTZ-UNI/MAXI/MULTI and TSZ-UNI. Black rubber. Adjustable range TSZ-UNI/MAXI approx. 55 – 140 mm (2¼ – 5½ inch). Adjustable range FTZ-UNI/MAXI-25 and FTZ-UNI/MULTI-15 approx. 120 – 255 mm (4¾ – 10 inch). FTZ-UNI-50 approx. 55 – 155 mm (2¼ – 6¼ inch). FTZ-MAXI-50 approx. 55 – 195 mm (2¼ – 7¾ inch).

TSZ-UNI-WB-SQ: Special steelfinger grippers allow for safe installation of roughly-cut ashlar rocks. The steel-finger grippers can be screwed on the clamp in just a few simple steps.

Type	Description	Dead Weight kg (lbs)	Gripping Range mm (in)	Inside Height mm (in)	Order-Number	Euro
HVA-FTZ/TSZ (black)	Adjustable Height Stop (Black rubber)	2.5 (5.51)			43100867	94,50
HVA-FTZ/TSZ (grey)	Adjustable Height Stop (Grey rubber)	2.9 (6.39)			43100867-003	133,-
Safety chain for TSZ-UNI-ET-800					43101851	69,-
TSZ-UNI-WB-SQ	Steelfinger grippers	5.6 (12)	50 – 550 (1.97 – 21.65)	210 (8.27)	43101384	306,-



FTZ-UNI-15

FTZ Grab for Prefabricated Concrete Products

- FTZ-I:** special compact clamp for laying heavy granit kerbs.
- FTZ-BB:** designed kerb stones with high concave section for bus stops („Kassel Kerb“).
- FTZ-UNI:** Universal clamp for all kind of precast elements.
- FTZ-MAXI:** As FTZ-UNI but with a very large gripping range.

- Easy Gripping width adjustment by bolt.
- Suspension bolt for lifting device.
- Automatic release for fully automatic switch over from „full“ to „empty“.
- Exchangeable rubber grippers.
- With handles to guide the grab.
- Durable surface protection by galvanizing.

6



FTZ-I



FTZ-MAXI-25



FTZ-UNI-50



FTZ-MAXI-50

Type	Working Load Limit/WLL kg (lbs)	Dead Weight kg (lbs)	Gripping Range mm (in)	Length of Gripper mm (in)	Inside Height mm (in)	Order-Number	Euro
FTZ-I	900 (1,984)	55 (121)	50 – 520 (1.97 – 20.47)	420 (16.54)	160 (6.30)	53100120	1.440,-
FTZ-BB	900 (1,984)	60 (132)	50 – 480 (1.97 – 18.90)	420 (16.54)	290 (11.42)	53100202	1.680,-
FTZ-UNI-15	1,500 (3,307)	88 (194)	0 – 750 (0.00 – 29.53)	420 (16.54)	255 (10.04)	53100256	1.710,-
FTZ-UNI-25	2,500 (5,512)	112 (247)	0 – 750 (0.00 – 29.53)	420 (16.54)	255 (10.04)	53100313	3.020,-
FTZ-MAXI-25	2,500 (5,512)	132 (291)	200 – 1,200 (7.87 – 47.24)	420 (16.54)	255 (10.04)	53100344	3.520,-
FTZ-UNI-50	5,000 (11,023)	245 (540)	0 – 850 (0.00 – 33.46)	720 (28.35)	200 (7.87)	53100362	3.980,-
FTZ-MAXI-50	5,000 (11,023)	270 (595)	400 – 1,250 (15.75 – 49.21)	720 (28.35)	240 (9.45)	53100363	4.340,-

Accessories:



HVA-FTZ/TSZ (black)



SAFETY-INDICATOR FTZ-SI

A-FTZ-KB: for FTZ-UNI-15 to extend gripping depth on one side to 290 mm (11½ inch).

HVA-FTZ/TSZ (black): for all versions of FTZ-UNI/MAXI/MULTI and TSZ-UNI. Black rubber. Adjustable range TSZ-UNI/MAXI approx. 55 – 140 mm (2¼ – 5½ inch). Adjustable range FTZ-UNI/MAXI-25 and FTZ-UNI/MULTI-15 approx. 120 – 255 mm (4¾ – 10 inch). FTZ-UNI-50 approx. 55 – 155 mm (2¼ – 6¼ inch). FTZ-MAXI-50 approx. 55 – 195 mm (2¼ – 7¾ inch).

HVA-FTZ/TSZ (grey): for all versions of FTZ-UNI/MAXI/MULTI and TSZ-UNI. Black rubber. Adjustable range TSZ-UNI/MAXI approx. 55 – 140 mm (2¼ – 5½ inch). Adjustable range FTZ-UNI/MAXI-25 and FTZ-UNI/MULTI-15 approx. 120 – 255 mm (4¾ – 10 inch). FTZ-UNI-50 approx. 55 – 155 mm (2¼ – 6¼ inch). FTZ-MAXI-50 approx. 55 – 195 mm (2¼ – 7¾ inch).

SAFETY-INDICATOR FTZ-SI: Visually indicates gripping safety during the entire installation process. If, for example, dirt or moisture should cause the gripped material to slip, the red indicators provide a timely warning. Suitable for mounting on all of the FTZ grabs except FTZ-I and FTZ-BB.

Type	Description	Dead Weight kg (lbs)	Dimensions L x W x H mm (in)	Order-Number	Euro
A-FTZ-KB	Adapter for Kassel Kerb Stone	6.9 (15)		43100575	372,-
HVA-FTZ/TSZ (black)	Adjustable Height Stop (Black rubber)	2.5 (5.51)		43100867	94,50
HVA-FTZ/TSZ (grey)	Adjustable Height Stop (Grey rubber)	2.9 (6.39)		43100867-003	133,-
SAFETY-INDICATOR FTZ-SI		16.0 (35)	770 x 180 x 271 (30.31 x 7.09 x 10.67)	43101803	265,-



FTZ-MULTI Grab for Prefabricated Concrete Products

Mechanical grab. Appropriate clamp configurations for versatile applications from a modular construction system. Same features as per FTZ-I/UNI.

FTZ-MULTI-15: Basic unit without grippers.

- Extraordinary large gripping range, thus suitable for gripping nearly all kind of standard concrete elements and natural stones.
- The individual modules are available separately and hence a huge range of applications can be covered at a reasonable price.
- Durable surface protection by galvanizing.



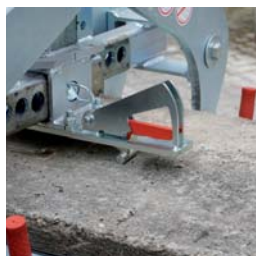
FTZ-MULTI-15: top with FTZ-MULTI-15-WB-G-120, bottom with FTZ-MULTI-15-WB-SQ

Type	Working Load Limit/WLL kg (lbs)	Dead Weight kg (lbs)	Inside Height mm (in)	Order-Number	Euro
FTZ-MULTI-15	1,500 (3,307)	98 (216)	255 (10.04)	53100348	1.580,-

Accessories:



HVA-FTZ/TSZ (black)



SAFETY-INDICATOR FTZ-SI

FTZ-MULTI-15-WB-G-120: Large gripping range, large rubber grippers – preferably suitable for handling of full layers, such as one layer of kerb stones.

FTZ-MULTI-15-WB-G-42: Large gripping range, short rubber grippers – preferably suitable for handling of single elements.

FTZ-MULTI-15-WB-SQ: Special interlocking steelfinger grippers allow for safe installation of roughly-cut ashlar rocks.

HVA-FTZ/TSZ (black): for all versions of FTZ-UNI/MAXI/MULTI and TSZ-UNI. Black rubber. Adjustable range TSZ-UNI/MAXI approx. 55 – 140 mm (2¼ – 5½ inch). Adjustable range FTZ-UNI/MAXI-25 and FTZ-UNI/MULTI-15 approx. 120 – 255 mm (4¾ – 10 inch). FTZ-UNI-50 approx. 55 – 155 mm (2¼ – 6¼ inch). FTZ-MAXI-50 approx. 55 – 195 mm (2¼ – 7¾ inch).

HVA-FTZ/TSZ (grey): for all versions of FTZ-UNI/MAXI/MULTI and TSZ-UNI. Black rubber. Adjustable range TSZ-UNI/MAXI approx. 55 – 140 mm (2¼ – 5½ inch). Adjustable range FTZ-UNI/MAXI-25 and FTZ-UNI/MULTI-15 approx. 120 – 255 mm (4¾ – 10 inch). FTZ-UNI-50 approx. 55 – 155 mm (2¼ – 6¼ inch). FTZ-MAXI-50 approx. 55 – 195 mm (2¼ – 7¾ inch).

SAFETY-INDICATOR FTZ-SI: Visually indicates gripping safety during the entire installation process. If, for example, dirt or moisture should cause the gripped material to slip, the red indicators provide a timely warning. Suitable for mounting on all of the FTZ grabs except FTZ-I and FTZ-BB.

Type	Description	Dead Weight kg (lbs)	Dimensions L x W x H mm (in)	Gripping Range mm (in)	Length of Gripper mm (in)	Inside Height mm (in)	Order-Number	Euro
FTZ-MULTI-15-WB-G-42	Grippers (pair)	15 (33)		200 – 1,250 (7.87 – 49.21)	420 (16.54)	255 (10.04)	43100942	339,–
FTZ-MULTI-15-WB-G-120	Grippers (pair)	46 (101)		200 – 1,250 (7.87 – 49.21)	1,200 (47.24)	255 (10.04)	43100943	559,–
FTZ-MULTI-15-WB-SQ	Grippers (pair)	33 (73)		200 – 1,200 (7.87 – 47.24)		300 (11.81)	43100941	1.140,–
HVA-FTZ/TSZ (black)	Adjustable Height Stop (Black rubber)	2.5 (5.51)					43100867	94,50
HVA-FTZ/TSZ (grey)	Adjustable Height Stop (Grey rubber)	2.9 (6.39)					43100867-003	133,–
SAFETY-INDICATOR FTZ-SI		16.0 (35)	770 x 180 x 271 (30.31 x 7.09 x 10.67)				43101803	265,–

6



FTZ-MULTI-15-D with FTZ-MULTI-15-WB-G-42

FTZ-MULTI-D

Grab for Prefabricated Concrete Products



Modularly designed grab – with larger inside height.

A single clamp top with screw-on grippers for the broadest range of tasks. Maximum application options due to large gripping range with low acquisition costs.

- The FTZ-MULTI-15-D basic device can be fitted with the same grippers as are suitable for the FTZ-MULTI-15.
- Durable surface protection by galvanizing.

Type	Working Load Limit/WLL kg (lbs)	Dead Weight kg (lbs)	Inside Height mm (in)	Order-Number	Euro
MULTI-15-D	1,500 (3,307)	132.71 (293)	500 (19.69)	53100393	2.390,–

Accessories:

FTZ-MULTI-15-WB-G-120: Large gripping range, large rubber grippers – preferably suitable for handling of full layers, such as one layer of kerb stones.

FTZ-MULTI-15-WB-G-42: Large gripping range, short rubber grippers – preferably suitable for handling of single elements.

FTZ-MULTI-15-WB-SQ: Special interlocking steelfinger grippers allow for safe installation of roughly-cut ashlar rocks.

SAFETY-INDICATOR FTZ-SI: Visually indicates gripping safety during the entire installation process. If, for example, dirt or moisture should cause the gripped material to slip, the red indicators provide a timely warning. Suitable for mounting on all of the FTZ grabs except FTZ-I and FTZ-BB.

Type	Description	Dead Weight kg (lbs)	Dimensions L x W x H mm (in)	Gripping Range mm (in)	Length of Gripper mm (in)	Inside Height mm (in)	Order-Number	Euro
FTZ-MULTI-15-WB-G-42	Grippers (pair)	15 (33)		0 – 750 (0 – 29.52)	420 (16.54)	540 (21.25)	43100942	339,–
FTZ-MULTI-15-WB-G-120	Grippers (pair)	46 (101)		0 – 750 (0 – 29.52)	1,200 (47.24)	540 (21.25)	43100943	559,–
FTZ-MULTI-15-WB-SQ	Grippers (pair)	33 (73)		0 – 700 (0 – 27.55)		585 (23)	43100941	1.140,–
HVA-FTZ-MULTI-D	Adjustable Height Stop	5.5 (12)					43101348	240,–
SAFETY-INDICATOR FTZ-SI		16.0 (35)	770 x 180 x 271 (30.31 x 7.09 x 10.67)				43101803	265,–



WEZ-06

WEZ Grab for Angular Concrete Products

Specially developed for handling L-stones and similar products. The lifting eye can be adjusted to the center of gravity of all customary products being lifted to let it hang vertically.

- Non-marking grey rubber gripping pads.
- Lifting eye for attaching to crane hook.
- Durable surface protection by galvanizing.

WEZ-06:

- Possibility of repositioning to compensate for the centre of gravity of the gripping material.
- "Switching" of gripping and releasing via the suspension.
- Grey interchangeable profile rubber strip.

WEZ-2/WEZ-6:

- Automatic release for the fully automatic change over from "full" to "empty".
- Highly durable and exchangeable rubber grippers.



WEZ-2



Adapter set for WEZ-06

Adapter set for WEZ-06: 2 adapters are included in the adapter set. By attaching the adapters, the gripping dimension can be reduced to 100 mm/3.93 inch (1 adapter) or to 70 – 80 mm/ 2.75 – 3.14 inch (2 adapters).

Type	Working Load Limit/WLL kg (lbs)	Dead Weight kg (lbs)	Gripping Range mm (in)	Length of Gripper mm (in)	Inside Height mm (in)	Order-Number	Euro
WEZ-06	600 (1,323)	14 (31)	116 – 120 (4.57 – 4.72)	235 (9.25)	95 (3.74)	53100438	659,–
WEZ-2	2,000 (4,409)	56 (123)	50 – 250 (1.97 – 9.84)	220 (8.66)	480 (18.90)	53100347	1.620,–
WEZ-6	6,000 (13,228)	182 (401)	50 – 300 (1.97 – 11.81)	440 (17.32)	630 (24.80)	53100439	4.460,–

Type	Description	Dead Weight kg (lbs)	Dimensions L x W x H mm (in)	Order-Number	Euro
Adapter set for WEZ-06	Adapter set for reducing the gripping dimension to 100 mm / 70 – 80 mm. (3.93 / 2.75 – 3.14 inch)	2.3 (5.07)	250 x 59 x 79 (9.84 x 2.32 x 3.11)	43101330	163,–



FVZ-UNI

FVZ-UNI Mechanical Boulder Grab

Suitable for handling boulders. Stones of almost all shapes can be lifted and laid to the exact millimetre.

- With chains.
- With lifting eye for attaching to crane hook.

Type	Working Load Limit/WLL kg (lbs)	Dead Weight kg (lbs)	Gripping Range mm (in)	Order-Number	Euro
FVZ-UNI	1,500 (3,307)	99 (218)	0 – 950 (0.00 – 37.40)	53100272	2.710,-

6



H-FVZ-UNI

H-FVZ-UNI Manual Boulder Grab

For smaller boulders which can be carried by two men.

- Additionally equipped with a ring-eyelet to be hooked onto any kind of lifting device, regarding the admissible working load limit.
- Equipped with a simple and fast gripping range adjustment.
- Durable surface protection by galvanizing.

Type	Working Load Limit/WLL kg (lbs)	Dead Weight kg (lbs)	Gripping Range mm (in)	Order-Number	Euro
H-FVZ-UNI	200 (441)	18 (40)	0 – 600 (0.00 – 23.62)	53200086	795,-



PC-200

PC-200 Panel Clamp

Discover our new clamp for gardeners, landscapers and road construction workers – the perfect solution for setting concrete noise barriers and privacy screens.

For wall construction, the individual concrete elements are inserted vertically from above between U-profiles set in concrete.

The gripping process is simple: The clamp is attached to the hook of a carrier device and placed on the upright or horizontal product.

After pulling the spring bolt, the gripper jaws automatically contact the concrete element.

The product can now be lifted safely.

Once the product has been moved, the locking mechanism can be released either using the handles or, at a greater height, using a shovel on the existing cams.

- With light-coloured, non-staining rubber gripper jaws.
- Handy and easy to transport thanks to the low dead weight.
- Thanks to the innovative design, the clamp offers 4 to 5 times the gripping force and remains stable even when tilted.
- Handles for guiding and opening the gripping jaws after setting down.
- Plastic support plate and spacer rollers protect the product from damage.
- Centre of gravity compensation via 2 adjustment positions for different product thicknesses ensures vertical stability, prevents tilting in the U-profiles.
- Suitable for concrete elements with and without nose.
- Durable surface protection due to galvanisation.



PC-200

Type	Working Load Limit/WLL kg (lbs)	Dead Weight kg (lbs)	Gripping Range mm (in)	Order-Number	Euro
PC-200	200 (441)	11 (24)	20 – 80 (0.79 – 3.15)	53100444	687,-



SLS-8/20-G-VA

SLS-8/20-G-VA Stone Pillar Grab

The handy stele setter SLS-8/20-G-VA was specially developed for granite stelae, which are being used more and more frequently in landscaping.

Stone pillars and palisades, mainly made of attractive natural stone such as granite, become increasingly popular in horticulture and landscaping. For efficient installation the handy stone pillar grab SLS-8/20-G-VA was designed.

Suspended to a lifting device, such as a mini excavator, the horizontal pillar is clamped through a crank handle. The gripping force automatically increases while lifting and the pillar can be raised safely and installed easily. After installation the crank is to be released.

- The lifting eye can be adjusted to the center of gravity of the product being lifted to let it hang vertically.
- Double-sided, non-marking rubber grippers, thus no claw marks or scratches on pillars and palisades.
- Durable surface protection by galvanizing.



Type	Working Load Limit/WLL kg (lbs)	Dead Weight kg (lbs)	Gripping Range mm (in)	Order-Number	Euro
SLS-8/20-G-VA	300 (661)	12.2 (27)	80 – 200 (3.15 – 7.87)	53100409	487,-

Accessories:

Type	Description	Order-Number	Euro
Adapter set for SLS-8/20-G-VA	Adapter set for reducing the gripping Dimension by 40 mm	43101923	72,-

Spare Parts:

Type	Description	Dead Weight kg (lbs)	Order-Number	Euro
GB-SLS	Rubber grippers to retrofit stone pillar grab SLS-10/20 (Order-Nr. 53100321) equipped as standard with steel pads. Rubber grippers will not cause damage to the stone elements – gripping range is then reduced from 80 to 180 mm (3¼ to 7 inch).	0.6 (1.32)	43101415	54,50

6



FSZ-M

FSZ-M Hollow Slope Block Handles



Especially suitable for the handling of hollow slope blocks and similar elements which can be lifted by hand.

- Grips from the inside.
- Large adjustable gripping range to match all current hollow slope blocks.
- With lifting eye and handle.
- Automatic release for fully automatic switch-over from “full” to “empty”.
- Galvanised finish.

Type	Working Load Limit/WLL kg (lbs)	Dead Weight kg (lbs)	Gripping Range mm (in)	Length of Gripper mm (in)	Inside Height mm (in)	Order-Number	Euro
FSZ-M	250 (551)	16 (35)	180 – 580 (7.09 – 22.83)	90 (3.54)	150 (5.91)	53200002	1.020,-



RF-H

GUTTERFIX RF-H Screeding System for lean concrete

The GUTTERFIX RF-H is a concrete subgrade removal system and a professional tool for road construction that eliminates the need for time-consuming removal with conventional shovels and imprecise tools.

The GUTTER FIX RF-H is a professional device for road construction.

In one working step large paving blocks are installed in lean concrete to form this gutter. No more time consuming screeding work!

- Time saving due to easy handling.
- Level height from kerb surface continuously adjustable from 70 – 300 mm (2¾ – 11¾ inch).
- The RF-H can be pushed by one operator, if required a second operator can assist in pulling with an integrated standard hooking point for shovel.
- The adjustment of the ground level and the width of the kerb is done simply and quickly by using clamp bolts (no tools are necessary).
- Large rollers which are touching the top surface and the rear surface can be easily pushed.
- The plowshare is made of extremely high wear-resistant V2A stainless steel.

Type	Dead Weight kg (lbs)	Width mm (in)	Working Width mm (in)	Order-Number	Euro
RF-H	13 (29)	120 – 200 (4.72 – 7.87)	500 (19.69)	51000064	972,-



BP

BOBPLAN BP Pulling aid for the concrete subgrade

Prepare the concrete bed for kerbs quickly and easily. Ready for use in just a few steps.

The concrete subgrade is removed to a length of approx. 1.20 m for the kerbstones to be placed subsequently.

There are two folding handles for pushing the unit forward. This means that the BOBPLAN BP can be operated by only one person.

The concrete planer is guided on both sides by 3 adjustable guide rollers.

- Can be folded into a compact transport position.
- Convenient carrying handle (also for securing the folding up in the transport position).
- No loose parts during transport.
- Infinitely adjustable pull-off pusher.
- With 3 guide rollers.

Type	Dead Weight kg (lbs)	Inside Height mm (in)	Dimensions mm (in)	Length mm (in)	Working Width mm (in)	Order-Number	Euro
BP	15 (33)	195 – 335 (7.68 – 13.19)	1,532 x 277 x 146 (60.31 x 10.91 x 5.75)	1,532 / 2,760 (60.31 / 108.66)	270 (10.63)	51000099	666,-





GR-150

GR-150 Slipform for Concrete Backfill of Precast Kerbs

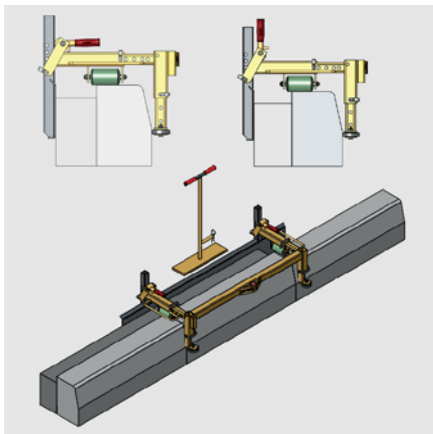
The GR-150 is a sliding formwork back support that is mandatory for the installation of curbs according to DIN 18318.

When installing kerb stones it is mandatory to get them backfilled with concrete formwork as per DIN 18318.

To avoid time-consuming and expensive assembly of timber formwork at the construction site we developed a slipform with lots of clever features.

The slipform GR-150 adjusts to all prevalent precast kerb dimensions. Effortless sliding due to rollers equipped with ball-bearings. Within seconds the slipform plate is removed from the formed concrete and put into working position again by 2 eccentric levers. To compact the concrete backfill – according to DIN specifications – the GR-150 comes with a hand tamper including fastener.

- Applicable at not too narrow curves as well.
- Significant saving of material to some extent compared to conventional concrete liner.
- Optional add-on: Link rod for slipform KS-GR-150. This connection rod links up two or more slipforms for formwork building.
- Durable surface protection by galvanizing.



GR-150

Type	Dead Weight kg (lbs)	Length mm (in)	Width mm (in)	Working Width mm (in)	Order-Number	Euro
GR-150	32 (71)	1,500 (59.06)	80 – 200 (3.15 – 7.87)	150 (5.91)	51000066	714,–

Accessories:

Type	Description	Dead Weight kg (lbs)	Order-Number	Euro
KS-GR-150	Connection rod link	1.3 (2.87)	41000241	89,50



KKV-200

KKV-200 Cable Channel Clamp

For cable channels II-IF, III-IF, IIIa-IF, IV-IF.

- Fully mechanical grip which means it can be used at any carrier.
- Grips from the inside, so that it is extremely suitable for small spaces.
- Exchangeable steel grippers as gripping elements.
- Lifting eye for crane hook.
- Automatic release for the fully automatic switch over from "full" to "empty".
- Durable surface protection by galvanizing.
- Basic unit without steel grippers. Interchangeable steel grippers are optionally available as gripping elements, depending on the gripping range, for extra large cable channels.
- Other adapter sets on request.

Type	Working Load Limit/WLL kg (lbs)	Dead Weight kg (lbs)	Length of Gripper mm (in)	Order-Number	Euro
KKV-200	500 (1,102)	50 (110)	400 (15.75)	53100423	2.980,-

Accessories:

KKV-A: Exchangeable adapter sets as gripping elements. Steel brackets for extra large cable channels.

Type	Description	Dead Weight kg (lbs)	Gripping Range mm (in)	Order-Number	Euro
KKV-A-185/210	Steel brackets	5 (11)	185 – 210 (7.28 – 8.27)	43101527	735,-
KKV-A-205/230	Steel brackets	5 (11)	205 – 230 (8.07 – 9.06)	43101538	948,-
KKV-A-215/235	Steel brackets	5.0 (11)	215 – 235 (8.46 – 9.25)	43100828	528,-
KKV-A-220/245	Steel brackets	5 (11)	220 – 245 (8.66 – 9.65)	43101575	948,-
KKV-A-255/280	Steel brackets	5.7 (13)	255 – 280 (10.04 – 11.02)	43100848	992,-
KKV-A-290/315	Steel brackets	3.5 (7.72)	290 – 315 (11.42 – 12.40)	43100634	296,-
KKV-A-330/355	Steel brackets	3.5 (7.72)	330 – 355 (12.99 – 13.98)	43100652	296,-
KKV-A-355/380	Steel brackets	3.6 (7.94)	355 – 380 (13.98 – 14.96)	43101296	290,-
KKV-A-365/390	Steel brackets	3.7 (8.16)	365 – 390 (14.37 – 15.35)	43100904	306,-
KKV-A-380/405	Steel brackets	4 (8.82)	380 – 405 (14.96 – 15.94)	43101297	316,-
KKV-A-390/415	Steel brackets	4 (8.82)	390 – 415 (15.35 – 16.34)	43100696	316,-
KKV-A-400/425	Steel brackets	4 (8.82)	400 – 425 (15.75 – 16.73)	43100757	306,-
KKV-A-410/435	Steel brackets	4.2 (9.26)	410 – 435 (16.14 – 17.13)	43100653	306,-
KKV-A-440/465	Steel brackets	4.4 (9.70)	440 – 465 (17.32 – 18.31)	43100749	316,-
KKV-A-470/495	Steel brackets	4.4 (9.70)	470 – 495 (18.50 – 19.49)	43100625	306,-
KKV-A-490/515	Steel brackets	4.8 (11)	490 – 515 (19.29 – 20.28)	43101033	306,-
KKV-A-520/545	Steel brackets	5.3 (12)	520 – 545 (20.47 – 21.46)	43100646	306,-
KKV-A-540/565	Steel brackets	5.5 (12)	540 – 565 (21.26 – 22.24)	43100654	306,-
KKV-A-575/600	Steel brackets	5.5 (12)	575 – 600 (22.64 – 23.62)	43100633	306,-
KKV-A-590/615	Steel brackets	5.7 (13)	590 – 615 (23.23 – 24.21)	43101274	339,-
KKV-A-610/635	Steel brackets	5.8 (13)	610 – 635 (24.02 – 25.00)	43101381	377,-
KKV-A-625/650	Steel brackets	5.9 (13)	625 – 635 (24.61 – 25.00)	43101247	327,-
KKV-A-660/685	Steel brackets	6.3 (14)	660 – 685 (25.98 – 26.97)	43100655	327,-
KKV-A-750/775	Steel brackets	7.1 (16)	750 – 775 (29.53 – 30.51)	43100661	349,-



KKV-8/14 Cable Channel Clamp

The compact tool for installing cable ducts of sizes I - IF.

Acts internally and purely mechanically.

- Equipped with carrying handle and suspension eye.
- Carrying handle can be mounted in 90° increments.
- Gripping jaws are fitted with replaceable rubber-metal rails.
- Durable surface protection by galvanizing.

KKV-8/14

Type	Working Load Limit/WLL kg (lbs)	Dead Weight kg (lbs)	Gripping Range mm (in)	Length of Gripper mm (in)	Order-Number	Euro
KKV-8/14	100 (220)	12 (26)	80 – 140 (3.15 – 5.51)	270 (10.63)	53100061	872,–

6



KKV-20/30 Cable Channel Clamp

The compact tool for moving cable channels with a clear width of 20 – 30 cm (7.87 – 11.81 inch).

Acts internally and purely mechanically.

- Equipped with a suspension eye.
- Gripping jaws are fitted with replaceable rubber-metal rails.
- Galvanised.

KKV-20/30

Type	Working Load Limit/WLL kg (lbs)	Dead Weight kg (lbs)	Gripping Range mm (in)	Length of Gripper mm (in)	Order-Number	Euro
KKV-20/30	150 (331)	5.5 (12)	200 – 300 (7.87 – 11.81)	120 (4.72)	53100420	464,–





BSZ-KH-6.0

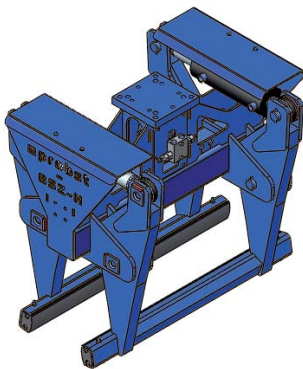
BSZ-KH Concrete Highway Divider Clamp

With this mechanical grab barrier walls can be gripped absolutely safe without leaving any marks on the concrete elements.

Even densely stacked asymmetrically elements can be lifted and installed easily due to the slim design of gripper arms. Thus more barrier elements can be loaded and transported on the truck.

- High rationalisation of staff costs.
- Rapid repetitive sequences.
- Lifting eye for attaching to crane hook.
- Automatic release for the fully automatic switch over from "full" to "empty".
- Leaves no black marks.
- Do not grip items with coated, painted, chalky, treated, or dirty surfaces, as these reduce grip and compromise safety. Please clean the gripping jaws and the product surface thoroughly before each use.

Type	Working Load Limit/WLL kg (lbs)	Dead Weight kg (lbs)	Gripping Range mm (in)	Order-Number	Euro
BSZ-KH-6.0	6,000 (13,228)	460 (1,014)	150 – 210 (5.91 – 8.27)	53100411	9.740,-
BSZ-KH-7.5	7,500 (16,535)	580 (1,279)	180 – 240 (7.09 – 9.45)	53100424	16.000,-



BSZ-H-5.1

BSZ-H Hydraulic Concrete Highway Divider Clamp

Suitable for gripping and transporting single-sided and double-sided barrier walls of the type "New Jersey" in connection with any carrier machine such as diggers or truck loading cranes.

The use of additional protection elements must be tested, and this can be requested.

- Slim design for picking up closely arranged elements.
- Equipped with a hydraulic accumulator for perfectly reliable gripping.

Type	Description	Working Load Limit/WLL kg (lbs)	Dead Weight kg (lbs)	Gripping Range mm (in)	Hydraulic Connection Pressure bar (psi)	Hydr. Volumetric Flow l/min (gpm)	Hydr. Backflow Pressure, max. bar (psi)	Length of Gripper mm (in)	Inside Height mm (in)	Order-Number	Euro
BSZ-H-2.0	DB 50 + DB 65 S	2,000 (4,409)	235 (518)	100 – 160 (3.94 – 6.30)	180 – 210 (2,611 – 3,046)	25 – 40 (6.61 – 10.57)	5 (72.52)	1,000 (39.37)	200 (7.87)	56400003	14.600,-
BSZ-H-5.1	DB 80, DB 80 AS, DB 80 AS-A, DB 80 AS-E, DB 80 AS-F, DB 80 AS-R, DB 80 E, DB 80 F, DB 100, DB 100 AS-R, DB 100 S	5,100 (11,244)	400 (882)	200 – 270 (7.87 – 10.63)	180 – 210 (2,611 – 3,046)	25 – 40 (6.61 – 10.57)	5 (72.52)	1,000 (39.37)	300 (11.81)	56400002	15.100,-





FTZ-GBA

FTZ-GBA Grab for Prefabricated Concrete Products

With the FTZ-GBA grab for prefabricated products, you can move special protective wall elements quickly and effectively with parallel or specially formed side faces.

Protective wall elements can be moved with conically tapering side walls only to a limited extent and after individual approval.

- Cost savings through short cycle times.
- Suspension bolt for lifting device.
- Automatic release for fully automatic switch over from „full“ to „empty“.
- Exchangeable rubber grippers (only FTZ-GBA).
- Durable surface protection by galvanizing.



FTZ-GBA-S

FTZ-GBA-S: Designed as FTZ-GBA but specific design principally for Swedish guide wall elements GPLINK 1.5 and GPLINK 2.0. Equipped with interlocking steel profile clamp.

7

Type	Working Load Limit/WLL kg (lbs)	Dead Weight kg (lbs)	Gripping Range mm (in)	Length of Gripper mm (in)	Inside Height mm (in)	Order-Number	Euro
FTZ-GBA	2,600 (5,732)	120 (265)	150 (5.91)	1,200 (47.24)	255 (10.04)	53100356	3.250,-
FTZ-GBA-S	2,900 (6,393)	119 (262)	240 (9.45)	1,200 (47.24)	295 (11.61)	53100356-001	3.250,-



RVD-4,5-ECO

RVD-4,5-ECO Concrete Pipe Lifter

The universal installation device for unloading, transport and installation of steel reinforced concrete pipes.

It is not necessary to loop the tubes with belts or chains, as the mechanical clamping mechanism prevents the tubes from slipping off.

The excavator driver positions the spigot end of the pipe to be installed with the pipe installation mandrel on the bell end of the pipe already in the trench. The pipes are then joined together with the relevant force.

A minimum pipe weight of 600 kg is mandatory for proper operation of the clamp.

- It is possible to mount an additional rotator or tilt rotator. This makes it even more flexible.
- Compact design.
- Mandrel with plastic plate on the underside to gently push the pipe into the correct gap after installation.
- Easier pipe handling in the trench lining thanks to an optimised mandrel (compact dimensions).
- With fork sleeves for transportation with fork arms.
- Flexible: The pipe lifter RVD-4,5-ECO can be simply attached to any excavator via the integrated, universal flange plate (not included in scope of delivery), using a quick-hitch coupling.
- Simple to use: autonomous, simple pick-up of the pipe lifter through the digger driver, requires no mounting procedure, short training time for employees.
- Safe: no personal needed for pick-up and put down the pipes, thus heavy reduction in potential hand-injuries.
- Profitable: very short payback period and excellent return on investment due to 50% saving on installation time.

Type	Working Load Limit/WLL kg (lbs)	Dead Weight kg (lbs)	Diameter inside mm (in)	Length Stone/Element mm (in)	Order-Number	Euro
RVD-4,5-ECO	4,500 (9,921)	662 (1,459)	400 – 1,200 (15.75 – 47.24)	3,000 (118.11)	44000184	12,700,-

01725 Technical adjustments and changes to the colour scheme are reserved. Illustrations are exemplary and non-binding. No liability accepted for any misprints, mistakes and errors. Prices are ex works. * Details in the General Sales Conditions at the end of the catalog or at www.probst-handling.com/en/gtc



RG-20/85-SAFELOCK



RG-75/125-SAFELOCK



RG-100/150-SAFELOCK

RG-SAFELOCK Round Grab

The clamping force of the claws is maintained fully in all cases, even if the carrier is operated incorrectly.

- Gripping and laying concrete pipes.
- Patented safety locking system: When lifting the product, the grab generates tension on the pipe, which is maintained even when the product is set down.
- One-man operation.
- With adjustable height supports, which can be adjusted with a scale using the external pipe diameter. This guarantees an optimum grab position.
- Slim design allows joint-sleeve pipes lying close together to be picked up onto the lorry loading area and used in very narrow trenches.
- With handles to guide the claw.
- The eye runs in a setting with 2 hanging positions. One is used for locked grabbing, the other for releasing the catch and for empty lifting. This allows operation with only one person.

RG-20/85-SAFELOCK: Increased grip width and increased working load limit as with RG-20/80. Besides concrete pipes, **stoneware pipes with an outer pipe diameter of 200 – 730 mm and a weight of up to 850 kg can also be laid**.

Easy adjustment of the outer diameter by means of a scale and a central lock pin.
Rubber grippers. Plastic-coated height adjustment bracket.
Durable surface protection by galvanizing.

RG-75/125-SAFELOCK: Easy, continuous adjustment of the external diameter by means of a scale using threaded spindles. Crank included in the delivery.
Replaceable steel grab clamps with a reliable grip.
Optionally available: rubber gripper jaws to prevent surface damage.
Durable surface protection by galvanizing.

RG-100/150-SAFELOCK: Easy, continuous adjustment of the external diameter by means of a scale using threaded spindles. Crank included in the delivery.
Replaceable steel grab clamps with a reliable grip.

Type	Working Load Limit/WLL kg (lbs)	Dead Weight kg (lbs)	Gripping Range mm (in)	Length of Gripper mm (in)	Order-Number	Euro
RG-20/85-SAFELOCK	2,500/850 (5,512 / 1,874)	175 (386)	200 – 870/730 (7.87 – 34.25/28.74)	420 (16.54)	54500009	3.030,-
RG-75/125-SAFELOCK	4,000 (8,818)	370 (816)	720 – 1,280 (28.35 – 50.39)	440 (17.32)	54500005	7.310,-
RG-100/150-SAFELOCK	6,000 (13,228)	535 (1,179)	970 – 1,530 (38.19 – 60.24)	460 (18.11)	54500008	11.000,-

Accessories:

Type	Description	Dead Weight kg (lbs)	Dimensions L x W x H mm (in)	Order-Number	Euro
GMT Rubber gripper, black	only for RG-75/125	0.75 (1.65)	60 x 15 x 200 (2.36 x 0.59 x 7.87)	43101377	44,50

Spare Parts:

Type	Description	Dead Weight kg (lbs)	Dimensions L x W x H mm (in)	Order-Number	Euro
Steelfinger gripper	for RG-75/125 and RG-100/150	0.34 (0.75)	60 x 60 x 15 (2.36 x 2.36 x 0.59)	34010108	192,-



RG Round Grab

Due to the ultra slim design the grab can be used in very slender trenches.

Exchangeable gripping elements to prevent concrete pipes from damage.

- With adjustable opening width by spring loaded bolts.
- With crane eye for attaching to crane hook.
- With automatic release mechanism which means no additional operating personnel are needed.
- With height adjustment bars.
- Durable surface protection by galvanizing.



RG-8/40



RG-20/80

RG-8/40: In addition to concrete pipes, vitrified clay pipes, coated and uncoated cast iron and steel pipes as well as plastic pipes with sufficient inherent rigidity can also be gripped safely.

Type	Working Load Limit/WLL kg (lbs)	Dead Weight kg (lbs)	Gripping Range mm (in)	Length of Gripper mm (in)	Order-Number	Euro
RG-8/40	430 (948)	45 (99)	80 – 400 (3.15 – 15.75)	500 (19.69)	54500004	1.370,-
RG-20/80	1,500 (3,307)	104 (229)	200 – 800 (7.87 – 31.50)	420 (16.54)	54500002	2.030,-



SRG Manhole and Cone Chain Clamp

For transporting manhole rings and cones.

SRG-1,5, SRG-3 and SRG-3-L suitable for manhole rings as per DIN 4034 part 2.
With High-tensile Lifting Chain: SRG-UNI-1,5-K, SRG-UNI-3-K, SRG-1,5, SRG-3, SRG-3-L.

- Manhole and Cone Chain Clamp SRG-UNI: especially easy handling and light-weight.
- Automatically adjustable clamping range of the claws to the thickness of the pipe walls.



SRG-UNI-3-K



SRG-1,5

Type	Working Load Limit/ WLL kg (lbs)	Dead Weight kg (lbs)	Gripping Range mm (in)	Dimensions L x W x H mm (in)	Diameter Nominal Diameter mm (in)	Number of Claws Stk.	Order-Number	Euro
SRG-UNI-1,5-K	1,500 (3,307)	32 (71)	40 – 120 (1.57 – 4.72)	360 x 330 x 380 (14.17 x 12.99 x 14.96)	800 – 2,000 (31.50 – 78.74)	3	54400018	935,–
SRG-UNI-3-K	3,000 (6,614)	45 (99)	60 – 180 (2.36 – 7.09)	460 x 410 x 430 (18.11 x 16.14 x 16.93)	800 – 2,000 (31.50 – 78.74)	3	54400019	1.600,–
SRG-1,5	1,500 (3,307)	31 (68)	40 – 120 (1.57 – 4.72)	390 x 330 x 220 (15.35 x 12.99 x 8.66)	400 – 2,000 (15.75 – 78.74)	3	54400001	877,–
SRG-3	3,000 (6,614)	55 (121)	50 – 180 (1.97 – 7.09)	460 x 400 x 250 (18.11 x 15.75 x 9.84)	400 – 2,000 (15.75 – 78.74)	3	54400002	1.340,–
SRG-3-L	3,000 (6,614)	58 (128)	50 – 180 (1.97 – 7.09)	460 x 400 x 250 (18.11 x 15.75 x 9.84)	400 – 3,000 (15.75 – 118.11)	3	54400003	1.560,–



SVZ-UNI-VARIO Manhole and Cone Installation Clamp

With the SVZ-UNI-VARIO manhole and cone installation clamp, even cones hang on exact level. The detachment takes place via an automatic trip mechanism.

Some sealing systems absolutely require the installation of cones in an precisely vertical position. This is possible for cones of every shape and size thanks to Integral centre of gravity adjustment.

Diameter adjustable in degrees as follows: 625/700/800/1,000/1,050/1,200/1,250/1,350/1,500 mm (24.60/27.55/31.49/39.37/41.33/47.24/49.21/53.14/59 inch).

- Manhole rings and centric cones are laid horizontally without shifting the suspension point. By switching via the guides on the suspension, the excavator driver can control the automatic shift of the suspension point for laying asymmetric cones.
- Fully automatic trip mechanism for switch-over from „full“ to „empty“.
- A rearrangement of the settings is not necessary when handling manhole rings and cones, as the SVZ-UNI-VARIO has got two gripping levels.
- Universally suitable for manhole basers, rings (height 500 mm/19.68 inch or larger) and cones.
- Ultimate safety in gripping by means of self-tensioning steel claws.
- Durable surface protection by galvanizing.



SVZ-UNI-VARIO



SVZ-UNI-VARIO

Type	Working Load Limit/WLL kg (lbs)	Dead Weight kg (lbs)	Diameter Nominal Diameter mm (in)	Order-Number	Euro
SVZ-UNI-VARIO	2,500 (5,512)	148 (326)	625 – 1,500 (24.61 – 59.06)	54000041	3.690,-

Accessories:

Type	Description	Dead Weight kg (lbs)	Diameter Nominal Diameter mm (in)	Order-Number	Euro
SVZ adaptor set	Adaptor set for larger nominal width	25 (55)	1,800 (70.87)	44000064	888,-
SVZ-UNI-AS	Set of Adaptors for height support, in order to also grip rings with 250 mm height.	4.691 (10)		44000079	245,-



SVZ-UNI



SVZ-UNI

SVZ-UNI

Manhole and Cone Installation Clamp

This universal manhole and cone clamp SVZ-UNI enormously rationalizes transport and installation of manhole elements.

Especially suitable for manhole bases, rings (height 500 mm/19¾ inch or larger) and cones with inner diameters of:

SVZ-UNI: 625/700/800/1.000/1.050/1.200/1.250/1.350/1.500 mm.
(24.60/27.55/31.49/39.37/41.33/47.24/49.21/53.14/59 inch).

SVZ-UNI-UK: (725/800) 900/1.000/1.050/1.200/1.250/1.350/1.500 mm.
(28.54/31.49) 35.43/39.37/41.33/47.24/49.21/53.14/59 inch).

- With additional suspension position for a more horizontal hanging of the cones.
- An additional operator is not necessary as the driver of the lifting machine „switches“ the SVZ-UNI from gripping to releasing by a slight movement of the lifting hook. The settings to the required diameters of the products is done very quickly through plug bolts. A rearrangement of the settings is not necessary when handling manhole rings and cones, as the SVZ-UNI has got two gripping levels.
- Efficient and economic handling of all kinds of manhole elements.
- High tensile chain suspension and eyelet.
- Durable surface protection by galvanizing.

Type	Description	Working Load Limit/WLL kg (lbs)	Dead Weight kg (lbs)	Diameter Nominal Diameter mm (in)	Order-Number	Euro
SVZ-UNI	Global	2,500 (5,512)	103 (227)	625 – 1,500 (24.61 – 59.06)	54000046	3.040,-
SVZ-UNI-UK	Specially for UK	2,500 (5,512)	96 (212)	900 – 1,500 (35.43 – 59.06)	54000047	3.590,-

Accessories:

Type	Description	Dead Weight kg (lbs)	Diameter Nominal Diameter mm (in)	Order-Number	Euro
SVZ adaptor set	Adapter set for larger nominal width	25 (55)	1,800 (70.87)	44000064	888,-
SVZ-UNI-AS	Set of Adaptors for height support, in order to also grip rings with 250 mm height.	4.691 (10)		44000079	245,-



SVZ-ECO Manhole and Cone Installation Clamp

The SVZ-ECO is the right choice for sole installation of manhole bases and rings (round and square) and cones or round well rings.

- Can be operated solely by the excavator driver due to integrated trip mechanism for fully automatic switching between gripping and release.
- Self-tensioning steel claws ensure secure gripping.
- Lightweight and budget-priced.
- Durable surface protection by galvanizing.

SVZ-ECO

Type	Working Load Limit/WLL kg (lbs)	Dead Weight kg (lbs)	Diameter Nominal Diameter mm (in)	Order-Number	Euro
SVZ-ECO	1,700 (3,748)	52 (115)	800/1,000 (31.50/39.37)	54000032	1.820,-



SVZ-ECO-L Manhole and Cone Installation Clamp

Compact and extremely robust clamp for manhole rings and cones. Moreover, rectangular manholes can also be transported and installed.

- With positioning aid for quick and reliable positioning of the clamp in the manhole elements.
- Manhole elements, even cones, hang completely level due to movable suspension.
- Automatic release for fully automatic switch over from „full“ to „empty“.
- Safe gripping due to autonomously retensioning steel grip clamps.
- Durable surface protection by galvanizing.

SVZ-ECO-L

Type	Working Load Limit/WLL kg (lbs)	Dead Weight kg (lbs)	Diameter Nominal Diameter mm (in)	Order-Number	Euro
SVZ-ECO-L	2,000 (4,409)	85 (187)	700 – 1,200 (27.56 – 47.24)	54000034	2.720,-



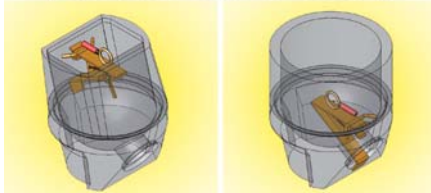


SHS Laying Hook for Gullies

It's as simple as that – for effortless installation of bulky and heavy bottom parts and cones for gullies: no need to purchase costly special clamps, just use the ingenious laying hook SHS.

Suitable for bottom parts with drain and for cones as per DIN 4052-3.

- Safe and fast handling with any lifting device for simple installation with millimeter precision.
- Lightweight shaft element can be piled on top of the bottom part already on the pallet, thus both parts are installed together in one run.
- A tool so handy to fit into each road builders' toolbox.
- Durable surface protection by galvanizing.



SHS

Type	Description	Working Load Limit/WLL kg (lbs)	Dead Weight kg (lbs)	Order-Number	Euro
SHS	Suitable for bottom parts with drain and for cones as per DIN 4052-3	100 (220)	4.8 (11)	54000024	270,-



SAZ-UNI Gully Clamp

The small and light clamp for cumbersome and heavy concrete sections for road gullies.

For base and intermediate sections in accordance with DIN 4052 (550 mm/21.65 inch).

By undoing the spring bolt and turning the swivel arm, sleeve sections can also be gripped and laid (625 mm/24.60 inch).

- One-man operation due to adjustable lock position in hanging eye for releasing the product.
- With oval ring, can be used as a supporting surface and handle.
- Because of the limited dead weight of only 4 kg (8.8 lbs), the clamp can also be used on small carrying devices.
- Durable surface protection by galvanizing.

SAZ-UNI

Type	Working Load Limit/WLL kg (lbs)	Dead Weight kg (lbs)	Gripping Range mm (in)	Inside Height mm (in)	Order-Number	Euro
SAZ-UNI	165 (364)	4.1 (9.04)	550 / 625 (21.65 / 24.61)	60 (2.36)	54000035	219,-



SRZ-M

SRZ-M Manhole Frame Clamp

Leightweight, efficient and profitable – Ideal for repair and maintenance of manhole frames and compensation rings.

- Grips from the inside, with removable handles.
- Automatic release for fully-automatically switch over from „full“ to „empty“.
- With lifting eye for attaching to crane hook.
- Durable surface protection by galvanizing.

Type	Working Load Limit/WLL kg (lbs)	Dead Weight kg (lbs)	Gripping Range mm (in)	Inside Height mm (in)	Order-Number	Euro
SRZ-M	150 (331)	20 (44)	200 – 620 (7.87 – 24.41)	150 (5.91)	54000033	1.050,-



SRZ-KOMBI Manhole Frame Clamp

A clamp for frame and cover! Easy and safe transport and installation of manhole covers in accordance with EN 124/DIN 1229.

Both the frame and the cover can be lifted and installed safely. The lifting eye on the shaft frame clamp is attached to the load hook on the digger/loader and placed on the manhole cover. After releasing the safety catch, the frame is lifted with the cover and placed on the shaft cone. When the manhole cover is put down, the safety catch clicks into place by itself and the clamp opens automatically.

- By turning through 180°, the covers can also be effortlessly lifted out of the frame with the shaft frame clamp and the 2 A hooks and 2 B hooks included as standard.
- Durable surface protection by galvanizing.



SRZ-KOMBI. left: Hook A, right: Hook B

Type	Working Load Limit/WLL kg (lbs)	Dead Weight kg (lbs)	Gripping Range mm (in)	Order-Number	Euro
SRZ-KOMBI	200 (441)	15 (33)	750 / 785 (29.53 / 30.91)	53100373	1.970,-

01725 Technical adjustments and changes to the colour scheme are reserved. Illustrations are exemplary and non-binding. No liability accepted for any misprints, mistakes and errors. Prices are ex works. * Details in the General Sales Conditions at the end of the catalog or at www.probst-handling.com/en/gtc



SDH-H Hydraulic Manhole Cover Lifter

Heavy duty professional device. Universally suitable to lift and move away all common sizes of covers.

Keys and spreader bars are not included at SDH-H-15.

SDH-15-UK: incl. Set of keys and spreader bars, specially for UK.

- High break-out force
- Can be taken to pieces within seconds in order to be stowed in each car boot.
- Durable surface protection by galvanizing.

SDH-H

Type	Dead Weight kg (lbs)	Force Pulling Force daN (lbf)	Height Lifting Height mm (in)	Working Width mm (in)	Working Width Hook Centres mm (in)	Working Pressure bar (psi)	Order-Number	Euro
SDH-H-15	36 (79)	1,500 (3,372)	290 (11.42)	1,000 (39.37)	260 / 950 (10.24 / 37.40)	200 (2,901)	54800002	1.190,-
SDH-H-15-UK	56 (123)	1,500 (3,372)	310 (12.20)	1,050 (41.34)	260 / 950 (10.24 / 37.40)		54800006	1.810,-

Accessories:



top (from left to right): SDH-Set of keys A, B, C. bottom: SDH-H-spreader bar small + large

Type	Description	Dead Weight kg (lbs)	Length mm (in)	Order-Number	Euro
Key A	Key A for manhole cover lifter	0.1 (0.22)		44800019	34,50
Key B	Key B	0.1 (0.22)		44800020	34,50
Key C	Key C	0.35 (0.77)		44800075	86,-
Spreader bar small	small	2.5 (5.51)	435 (17.13)	44800008	102,-
Spreader bar large	large	7.1 (16)	865 (34.06)	44800018	121,-
Set of keys and spreader bars UK	2 keys A, 2 keys B, 4 keys C, 1 Spreader bar small, 2 Spreader bars large	19.2 (42)		54800004	615,-
Gatic manhole key (UK)	Can only be used in combination with crossbar			44800069	83,-



EASYLIFT EL-SDH Manhole Cover Lifter



Small and light mechanical manhole cover lifter for lifting manhole covers up to diameter 800 mm (31.49 inch).

The manhole cover is lifted by tilting the EL-SDH with the handle. Optimal lifting position adjustable by chain.

Can be combined with crosspieces for lifting split covers.

The crosspiece of the EL-SDH can be pushed forward and back by approx. 120 mm (4.72 inch).

Optionally available: Permanent lifting magnet EL-SDH-LHM-300.

Key not included in the delivery.

■ Durable surface protection by galvanizing.

EL-SDH

Type	Working Load Limit/WLL kg (lbs)	Dead Weight kg (lbs)	Force Pulling Force daN (lbf)	Working Width Hook Centres mm (in)	Order-Number	Euro
EL-SDH	200 (441)	18 (40)	200 (450)	125 – 740 (4.92 – 29.13)	54800015	719,-

Accessories:



top (from left to right): SDH-Set of keys A, B, C. bottom: SDH-H-spreader bar small + large

EL-SDH-LHM-300: Permanent lifting magnet for lifting metal manhole covers. Attachment/detachment by means of a reversible lever. Mounting for attachment to EL-SDH.

Type	Description	Dead Weight kg (lbs)	Dimensions L x W x H mm (in)	Length mm (in)	Order-Number	Euro
EL-SDH-LHM-300	Permanent lifting magnet	9.50 (21)	222 x 178 x 187 (8.74 x 7.01 x 7.36)		44800091	811,-
Key A	Key A for manhole cover lifter	0.1 (0.22)			44800019	34,50
Key B	Key B	0.1 (0.22)			44800020	34,50
Key C	Key C	0.35 (0.77)			44800075	86,-
Spreader bar small	small	2.5 (5.51)		435 (17.13)	44800008	102,-
Spreader bar large	large	7.1 (16)		865 (34.06)	44800018	121,-
Gatic manhole key (UK)	Can only be used in combination with crossbar				44800069	83,-
Set of keys and spreader bars UK	2 keys A, 2 keys B, 4 keys C, 1 Spreader bar small, 2 Spreader bars large	19.2 (42)			54800004	615,-



SG – Picture as an example

SG Scissor Grab

A mechanical grab universally suitable for use on building sites engaged in civil engineering work and paving work.

The SG grab handles pack sizes as show in the data below without any gripping width adjustment. Safe and easy transport of non-palletized building materials such as vertically steel-strapped (each row) paving blocks, slabs, kerb stones, etc.

SG-PGL2: In the event of damage on the outer ends of the rubber grippers, it is also possible to replace only these end areas.

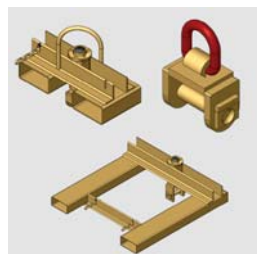
Large variable gripping range.

Fork sleeves with manual turning device ET-D (with additional lifting eye for crane hook), ET-D/B as well as EH-3000 for crane hook operation to be ordered additionally as accessories.

- Quick height adjustment.
- Automatic release for the fully automatic switch over from “full” to “empty”.
- Highly durable, exchangeable rubber bars as gripping elements.

Type	Working Load Limit/WLL kg (lbs)	Dead Weight kg (lbs)	Gripping Range mm (in)	Length of Gripper mm (in)	Inside Height mm (in)	Order-Number	Euro
SG-60-PGL2	1,800 (3,968)	225 (496)	400 – 1,100 (15.75 – 43.31)	1,200 (47.24)	600 (23.62)	53100415	2.830,-
SG-80-PGL2	1,800 (3,968)	230 (507)	400 – 1,100 (15.75 – 43.31)	1,200 (47.24)	800 (31.50)	53100380	2.640,-
SG-80-MAXI-PGL2	1,800 (3,968)	240 (529)	700 – 1,200 (27.56 – 47.24)	1,200 (47.24)	800 (31.50)	53100416	3.260,-
SG-95-PGL2	1,800 (3,968)	240 (529)	500 – 1,100 (19.69 – 43.31)	1,200 (47.24)	950 (37.40)	53100457	2.900,-
SG-100-PGL2	2,000 (4,409)	380 (838)	700 – 1,200 (27.56 – 47.24)	1,200 (47.24)	1,000 (39.37)	53100284	4.560,-

Accessories:



top left: ET-D, top right:
EH-3000, below: ET-D/B

EH-3000: ET-D/B with wider distance between the sleeves and with longer sleeves, specially suitable for SG grabs.

ET-D/B: With wider distance between the sleeves and with longer sleeves, specially suitable for SG grabs.

Fork sleeves: manual turning device which engages itself every 90°. With security chain to avoid slipping.

SSN-1,5/1,3/1,0 and SSN-1,45/1,45/0,65: Security Net for operation of SG grabs in high-rise construction, is suspended underneath the load by hooking it into the handles of the SG grab.

Type	Description	Working Load Limit/WLL kg (lbs)	Dead Weight kg (lbs)	Order-Number	Euro
EH-3000	Lifting eye for crane hook operation	3,000 (6,614)	4 (8.82)	40110086	132,-
ET-D	With additional lifting eye for crane hook	2,500 (5,512)	35 (77)	43100411	1.050,-
ET-D/B	Fork sleeve with manual device engaging	2,500 (5,512)	50 (110)	43100373	1.160,-
SSN-1,45/1,45/ 0,65	for SG-60-PGL2	1,800 (3,968)	4 (8.82)	55000012	382,-
SSN-1,5/1,3/1,0	For SG-80-PGL2, SG-80-MAXI-PGL2, SG-100-PGL2	2,000 (4,409)	5 (11)	45200061	355,-



KSZ-300-UNI

KSZ-300-UNI Limestone Clamp

Especially designed for the transport of lime-stone elements by a tower crane.

The clamp is variably gripping all packs up to the indicated opening width safely. An adjustment of the gripping width is no longer necessary.

The security net can be hung easily underneath the load.
(Safety net also suitable for blocks with height 625 mm).

- Crane eye.
- Safety net.
- Semi-automatic – for manual switch over from “full” to “empty”.
- Rubber metal bars as gripping elements (grey colour – no marks left on visible brick work).

Type	Working Load Limit/WLL kg (lbs)	Dead Weight kg (lbs)	Gripping Range mm (in)	Length of Gripper mm (in)	Inside Height mm (in)	Order-Number	Euro
KSZ-300-UNI	1,250 (2,756)	95 (209)	750 – 1,000 (29.53 – 39.37)	1,000 (39.37)	300 (11.81)	55200036	3.250,-



DEZ-UNI

DEZ-UNI Roofing Element Clamp

The universal clamp for clay and concrete roof tiles.

With only one device, two rows of clay roof tiles or three rows of concrete roof tiles in horizontal position can be transported quickly and safely on the roof.

Suitable also for large tiles.

- Security net to be hooked into the handles for guiding the clamp.
- Plastic basket to store the security net. Basket can also be used for transportation of special tile elements on the roof.
- Additional lifting point to hang the loaded clamp on an angle to position the rows of roof tiles directly on the roof. (Not suitable for steep roofs).
- Ring-eyelet for crane hook.
- Adjustable height-support.
- Automatic release for the fully automatic switch-over from “full” to “empty”.
- Exchangeable rubber grippers as gripping elements.
- Due to light weight construction and using of high-tensile steels only low dead weight. That way this sturdy steel device is more light weight than some comparable aluminium devices with the same technical specifications.

Type	Working Load Limit/WLL kg (lbs)	Dead Weight kg (lbs)	Gripping Range mm (in)	Length of Gripper mm (in)	Inside Height mm (in)	Order-Number	Euro
DEZ-UNI	600 (1,323)	75 (165)	660 – 1,000 (25.98 – 39.37)	1,140 (44.88)	140 / 210 (5.51 / 8.27)	55100034	4.130,-



Service



Training

Demonstration, technical instructions/assistance

Rental Equipment

Second-hand and demo equipment
used.probst-handling.com

Telephone Support

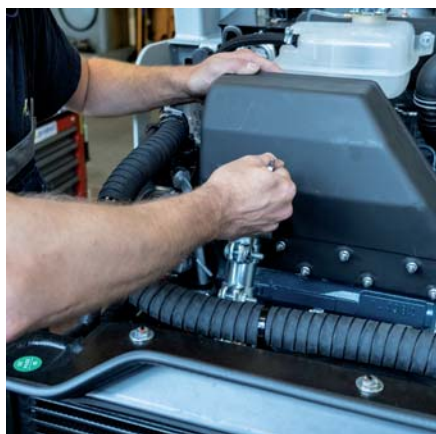
Warranty

Spare parts

Customer service and repair

Phone: +49 7144 3309-30
service@probst-handling.com
WhatsApp +7144 3309-30



After Sales/Warranty

By purchasing a Probst product you have chosen a quality product which has been developed and tested as a result of over 65 years experience.

For all new catalogue items purchased from 1 January 2024 onwards and the associated accessories from the construction site equipment catalogue, the warranty for products without direct/indirect drive (hydraulic, electric, combustion engine, pneumatic) and without gas struts is 5 years, excluding wearable parts.

For all other new catalogue items purchased from 1 January 2026 onwards and the associated accessories from the construction site equipment catalogue, the warranty is 12 months. This can be extended to 24 months (18 months for FXAH-120-GRABO, XS-JET-80-GRABO, QJ-600-E, M-JET-250 and SPEEDY VS) by registering at www.probst-service.com, excluding wearing parts.

For all other newly purchased catalogue items and the associated accessories from the Internal Handling and Truck Attachments section, the warranty is 12 months, excluding wearable parts, and cannot be extended.

In general, all customer-specific items, all non-catalogue items, spare parts, private labels and the baseline range and associated accessories are covered by a 12-month warranty, with the exception of wearable parts, which cannot be extended.

The warranty period for used items is 6 months, with the exception of wearable parts.

If, despite thorough controls, a fault should occur in your Probst product, the complete device should be sent to us, together with the invoice or delivery note and a completed returns form:

Probst GmbH

Technic Centre
Gottlieb-Daimler-Str. 6
71729 Erdmannhausen
Phone + 49 7144 3309 30
E-Mail: service@probst-handling.com

The returns form can be found on our website www.probst-handling.com

An overview of spares can be found in our current operating manual which is supplied with each Probst product. We are happy to send you another copy of this.

If the repair is carried out after the warranty has expired or is due to improper handling, we will send you an estimate of cost together with a request for your approval.

Overview of the Probst service terms and conditions:

Service provision	Order-Number	Price in Euro
UVV test Probst small appliances flat rate*	90010001	89,- *
UVV test Probst large appliances including Probst accessory*	90010002	165,- *
Inspection of electrical work equipment according to DGUV-V-3	90010020	32,- *
Travelling expenses for service technician visit	90010009	0,8/km
Journey time	90010012	86/h
Working time	90010011	86/h
Overnight costs for service technician	90010010	95/Night

* Without spare parts and any possible repair costs incurred.

General sales conditions

1. Preamble

The conditions stated in the following are valid for each order; they exclude the conditions of the Purchaser even if not contradicted expressly. Other Agreements and later modifications are in any case only valid by written confirmation.

2. Offer

All documents belonging to the offer like drawings, indications of weights and measures constitute an approximate guide. The data shall not be binding save to the extent that they are by reference expressly included in the offer. Any drawings or technical documents as well as preliminary quotations and other documents remain the exclusive property of the Vendor. These confidential documents may not, without the Vendors consent, be utilized by the Purchaser or copied, reproduced, transmitted or communicated to a third party. Orders and agreements of all kind need the written confirmation by the Vendor.

3. Prices

The prices are quoted ex works, packing excluded, without engagement. The prices stated in the order-confirmation are fixed, except there are agreed free prices due to long delivery times.

Invoiced will be the prices which are valid on the date of delivery. For orders with a net value of goods up to € 50,- we charge an additional surcharge for small quantities of € 15,-.

4. Delivery

The agreed delivery time starts with the date of order-confirmation, however only if all details regarding the execution of the order will be clarified. Acts of God and other circumstances which are beyond the control of us and of our suppliers like transport disturbances or operating breakdown, lack of material or of parts from suppliers authorize us to claim an adequate extended term.

Purchaser's claims for damages due to failure to perform or delay are excluded if we are not willfully responsible for the damage.

The term of delivery is kept when the product has left the works or it is advised ready for dispatch within the agreed time.

Should delay in delivery be caused by the Purchaser, he will be charged for each month with at least 1/2% of the total invoice amount beginning one month after dispatch date thus covering the costs which arise by storage in the Vendor's works.

The fulfilment of contract by the Purchaser is a precondition for the keeping of delivery times by the Vendor.

5. Packing, Transport, Risk

The kind of packing, way of despatch and shipping route is determined by the Vendor except if there is a special previous agreement.

The costs and risks for the transport of the goods are to be borne by the Purchaser. Provided that no other instructions are given by the Purchaser, we organize the transport by the way that seems best to us without taking responsibility for having chosen the utmost favourable and shortest way.

The Purchaser bears every risk as soon as the merchandise is handed over to the transport agent or carrier.

An insurance against transport damages will only be effected if it is expressly desired by the Purchaser and the costs will be invoiced to him.

In case of transport through the Federal Railway Company or a forwarding agent the Purchaser has to take care of the settlement of his claim by himself. The maturity for our request of payment is not affected.

6. Subject of Contract

The statements regarding measurements, weights, material and services are carefully stated by the Vendor however not binding, except they are expressly determined to be binding. This is also concerning all statements on construction and suggestions for construction. The Vendor reserves the right for modifications due to technical progress. Any drawings, samples or documents of the Vendor remain the exclusive property of the Vendor. They may not without the Vendor's consent be passed on to a third party. This is to point out the Vendor's copyright. The contractual characteristics of the goods are only relating to our product-description and to the written agreements.

Unilateral expectations of the Purchaser as well as advertisements or other comments of the Vendor or his assistants are not taken into consideration.

Demonstration-products, tools and other equipment needed for the execution of an order, remain the Vendor's property, even if the Vendor partially invoices the costs.

7. Guarantee

Provided that it is not about insignificant fault, the Vendor performs under exclusion of other claims for faults of the delivery to which belongs also the absence of strictly guaranteed or guaranteed qualities, guarantee as follows:

For all new catalogue items purchased from 1 January 2024 onwards and the associated accessories from the construction site equipment catalogue, the warranty for products without direct/indirect drive (hydraulic, electric, combustion engine, pneumatic) and without gas struts is 5 years, excluding wearable parts.

For all other new catalogue items purchased from 1 January 2026 onwards and the associated accessories from the construction site equipment catalogue, the warranty is 12 months. This can be extended to 24 months (18 months for FXAH-120-GRABO, XS-JET-80-GRABO, QJ-600-E, M-JET-250 and SPEEDY VS) by registering at www.probst-service.com, excluding wearing parts.

For all other newly purchased catalogue items and the associated accessories from the Internal Handling and Truck Attachments section, the warranty is 12 months, excluding wearable parts, and cannot be extended.

In general, all customer-specific items, all non-catalogue items, spare parts, private labels and the baseline range and associated accessories are covered by a 12-month warranty, with the exception of wearable parts, which cannot be extended.

The warranty period for used items is 6 months, with the exception of wearable parts.

Rubber bars used as gripping elements are wear articles and are not subject to the guarantee. Faults by incorrect assembly or initial start-up, unsuitable or inappropriate use or changes or repairs by the Purchaser or third persons, natural wear, incorrect or careless treatment, excessive strain, unsuitable methods of operation, exchange materials, chemical, electro-chemical or electric influences expels every guarantee, provided that they are not to be led back on a fault of the Vendor. Further rights, particularly claims to substitute of the losses which have not appeared in the subject of delivery themselves, are expelled.

Notices of defect within the above stated frame are only recognized if they are asserted within two weeks after reception of the goods, with first not recognizable fault immediately after knowledge by written statement. Objections on the amount are only considered if they are brought forward immediately on receipt of the consignment in written form. The examination and reprimand obligation also encloses operating instructions and assembly instructions.

Also damages which are subject to the guarantee have to be indicated immediately in writing. A claim to transformation or decrease does not exist, unless we are not able the lack to repair. To the realization of all repairs inevitably appearing to the Vendor and substitute deliveries the customer after communication with the Vendor has to give the required time and opportunity, otherwise the Vendor is freed from the liability for defects.

Only in pressing cases of the endangering of the operational safety and to avoid disproportionately big losses, whereby the Vendor is to be informed immediately, or if the Vendor is in delay with the removal of the lack, the customer has the right to allow to remove the lack by third persons and has a claim for reimbursement of wasted expenditure towards the Vendor. Further claims, e.g., substitute of wage or spoiled equipment, etc., are expelled.

General sales conditions

Repair or substitute is our choice. If the parts are returned not free of charge so they will be sent back also not free, i.e. a freight way is carried by us with the cheapest way of dispatch. The guarantee expires if the subject of delivery is treated by foreign party, also with pressure of time an other treatment needs our consent in particular. We are not responsible for failures as a result of bad assembly by the customer or third persons, of bad maintenance or carelessness, of unsuitable or inappropriate use or of excessive use.

Precondition for the guarantee is the fulfillment of the contractual obligations by the Purchaser. Because of the notices of defect about which no doubt exists, payments may be held back only in the appropriate relation to the appeared lack. Particularly no compensations may take place against earlier or later deliveries. Returns need the previous agreement of the Vendor.

8. Right to rescind of the Purchaser and other liability of the Vendor

The Purchaser can withdraw from the contract if the whole performance is definitively impossible before risk transfer or the delivery within an appropriate term which may not remain under a month, did not take place, unless, the performance hindrance is to be represented from the Vendor at least mainly or it is about a case of point 6. paragraph 4. As far as partial performances are possible and for the Purchaser useful also after ending of the contract, the right to rescind limits itself to the parts not yet performed.

If the impossibility enters during the acceptance delay or by fault of the Purchaser, he remains obliged to do the settlement. If partial performances have already taken place for the purposes of the paragraph 1, a compensation claim also exists in this respect. The Purchaser has furthermore a right to rescind if the Vendor has passed inactively an adequate extension placed to him for the repairing or reworking due to a failure to be represented by the Vendor in the sense of these terms of delivery. If the Vendor decides on an extended elimination of the lack, the Purchaser only has a right to rescind if the elimination of the lack has failed two times. The appropriate extension does not begin earlier, than the lack and the representation obligation of the Vendor are determined and proved. The Purchaser can also assert reduction instead of his right to rescind. If the Purchaser or a third person makes inappropriate changes or repairs without previous approval of the Vendor, there is no liability of the Vendor for the consequences appearing from it.

The liability of the Vendor is determined exclusively according to the preceding points of this agreement. All not strictly admitted rights there, e.g., on delivery of a faultless product, resignation of the contract or decrease as well as on substitute of losses of every kind, namely also from such losses which have not appeared in the subject of delivery and regardless of any legal argument, are excluded. This exclusion of liability applies not with intention and gross negligence of legal representatives or fulfillment assistants and by culpable violation of main liability. The exclusion of liability finds no further application if qualities which are strictly guaranteed are missing, if the warranty has just aimed to safeguard the buyer against the losses which have not appeared in the subject of delivery themselves, as well as if the damage is based on a circumstance, for which the Vendor has taken over a guarantee. The same applies if a procurement risk realizes which the Vendor has explicitly taken over. Finally, the exclusion of liability applies not in that cases in which according to the country right valid in each case a damages obligation exists which can not be expelled by contract, particularly for product liability. Except for losses for life, body and health and for intention and coarse negligence of legal representatives and fulfillment assistants, the extent of the damage to be replaced is limited however, on foreseeable losses.

9. Payment

The settling place for payment and the currency are agreed especially. A delay in payment or a setting off is only acceptable in case of undisputed or legally binding counter-claims. If the financial situation of the Purchaser gets worse after agreement to the contract essentially and is thereby endangering the payment entitled to the Vendor, the Vendor is entitled to refuse the performance, until the settlement is effected or is performed safely for him.

10. Delay in Payment

If the Purchaser does not keep to the arranged term of payment, we charge from maturity for interests by the legal height according to German law. Before payment of payable amounts the Vendor is not obliged to do any other delivery, as far as the Purchaser does not perform safety for this. In case of outstanding overdue payment, indebted by the Purchaser, all unpaid invoices of the Vendor become immediately payable.

11. Retention of title of ownership

Up to entire satisfaction of all claims from the business connection remain the supplied goods property of the Vendor. The Purchaser has to keep the goods duly and to insure them. If the Purchaser is late with payable payments in more than 10 workdays the Purchaser is obliged on demand of the Vendor to return the supplied goods, without the Vendor must explain before the withdrawal of the contract.

12. Acceptance, call, right to rescind of the Vendor

On call bought goods are to be accepted within a month after demand to takeover. If the Purchaser is in acceptance delay, the Vendor can store the goods at the expenses and risk of the Purchaser and can invoice him all expenses appearing from it. The same applies if due to circumstances attributed to the Purchaser, goods ready for dispatch can not be dispatched. If the Purchaser continues to delay acceptance of the goods in spite of passed time-limit, is a payable payment more than 30 days in the delay or commits the Purchaser another weighty breach of the contract, the Vendor is entitled to the withdrawal of the contract and to claim for damages.

13. Arbitration board, place of delivery, other rights

The rights of the Purchaser are not transferable. The legal ineffectiveness or change of single regulations do not touch the validity of the rest regulations.

To the place of an ineffective regulation that permissible regulation should step which comes to the economic thought of the ineffective regulation in the next. Place of delivery for all deliveries is the manufacturing work of the Vendor, in Erdmannhausen, as far as no divergent agreement has been met. The preceding conditions apply to every order. Other conditions are for the Vendor only bindingly if he has recognized them in writing.

On the contract the right of the Federal Republic of Germany is applicable under exclusion of the agreement of the United Nations from the 11/04/1980 about contracts about the international goods purchase.

All disputes which arise in connection with the contract or about its validity, are decided according to the arbitration board order of the German Institution for Arbitration Board Ability Inc (DIS) under exclusion of the neat course of law finally. The arbitration board also can make a binding decision about the validity of this arbitration agreement.

The right solution for every challenge – already in the range, or we construct it.

Probst makes hard work easier. We already have available a wide range of machines, equipment and tools for many applications. We will gladly help you find the right solution for you. Alternatively, we can develop an individual suitable solution for you. For the optimal consultation, simply send us your requirements in advance..

Contact person: _____ Company: _____

Phone: _____ E-mail address: _____

Please describe the element to be lifted.

Dimensions (LxWxH in mm)

What material is the element made of?
e.g. concrete, natural stone, granite, limestone, ...

How is the element stored or how is it delivered?
If available, please send us sketches or photos.

Which drive is preferred or available?
e.g. combustion engine, hydraulic or electric drive, ...

When do you plan to commission the unit?

Weight (in kg)

What is the surface finish?
e.g. coated, structured, smooth, polished, powder-coated, ...

What is the intended location?
e.g. building site, building material plant, desert, sea air, ...

Is a carrier device provided? If so, which?
e.g. excavator, forklift, loading crane, overhead crane, chain hoist, ...

Is there any other relevant information?

You will find space for a sketch or drawing of the element on the following page.

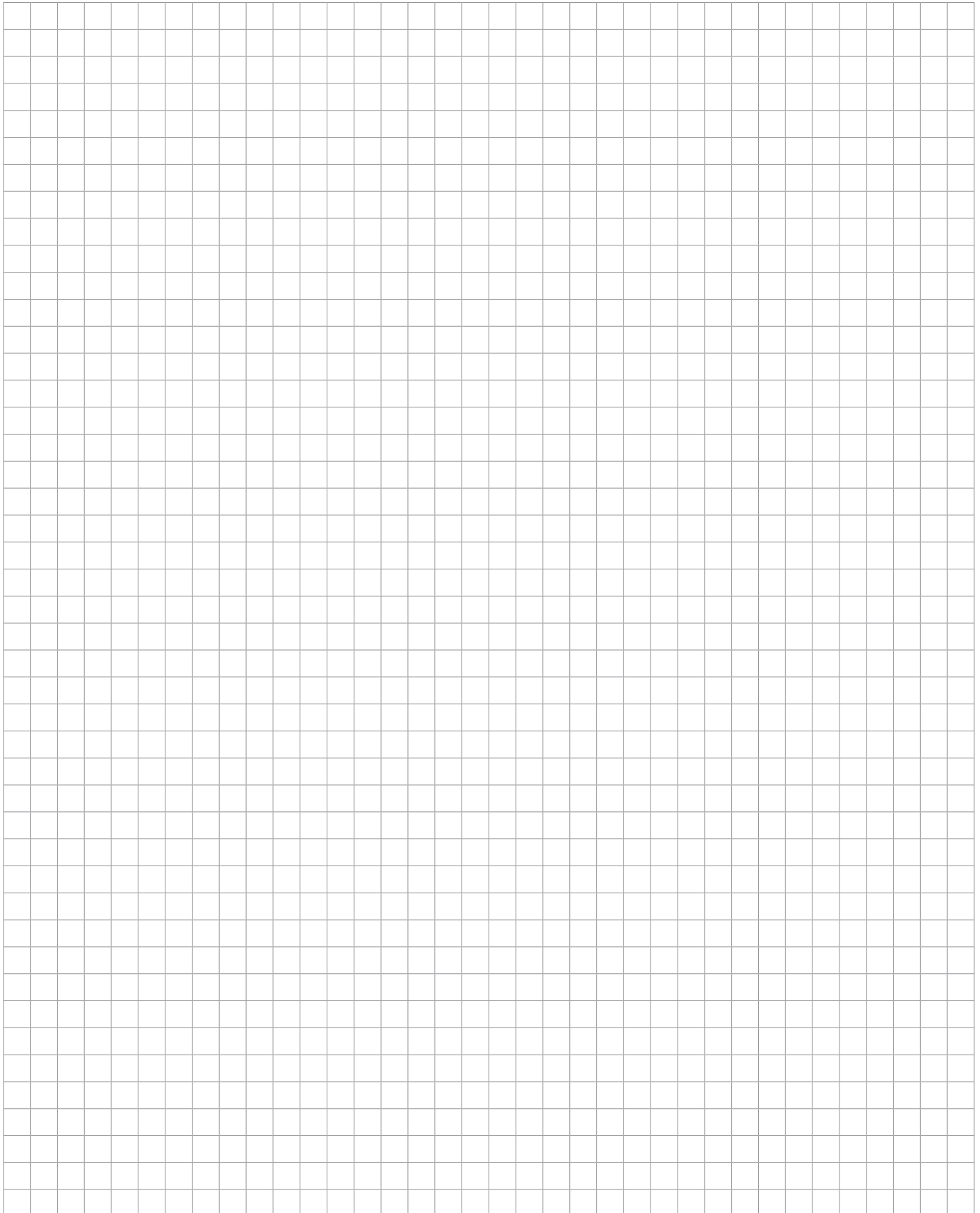
Please take photos of this page and your sketches and send them to: info@probst-handling.de

Alternatively, use our online form and send us your request digitally:
www.probst-handling.com/en/productrequest

We are looking forward to your request and will contact you immediately.

Sketch/drawing

A large, empty grid of small squares, intended for drawing or sketching a product. The grid consists of 20 columns and 30 rows of squares.



making hard work easier



Site Equipment



Building Material Plants –
In-Plant Handling



Truck Crane Attachments

Probst GmbH
Gottlieb-Daimler-Straße 6
71729 Erdmannhausen, Germany
+49 7144 3309-30
info@probst-handling.com

www.probst-handling.com